

VM series

4,000kg / 4,500kg / 5,000kg / 5,500kg

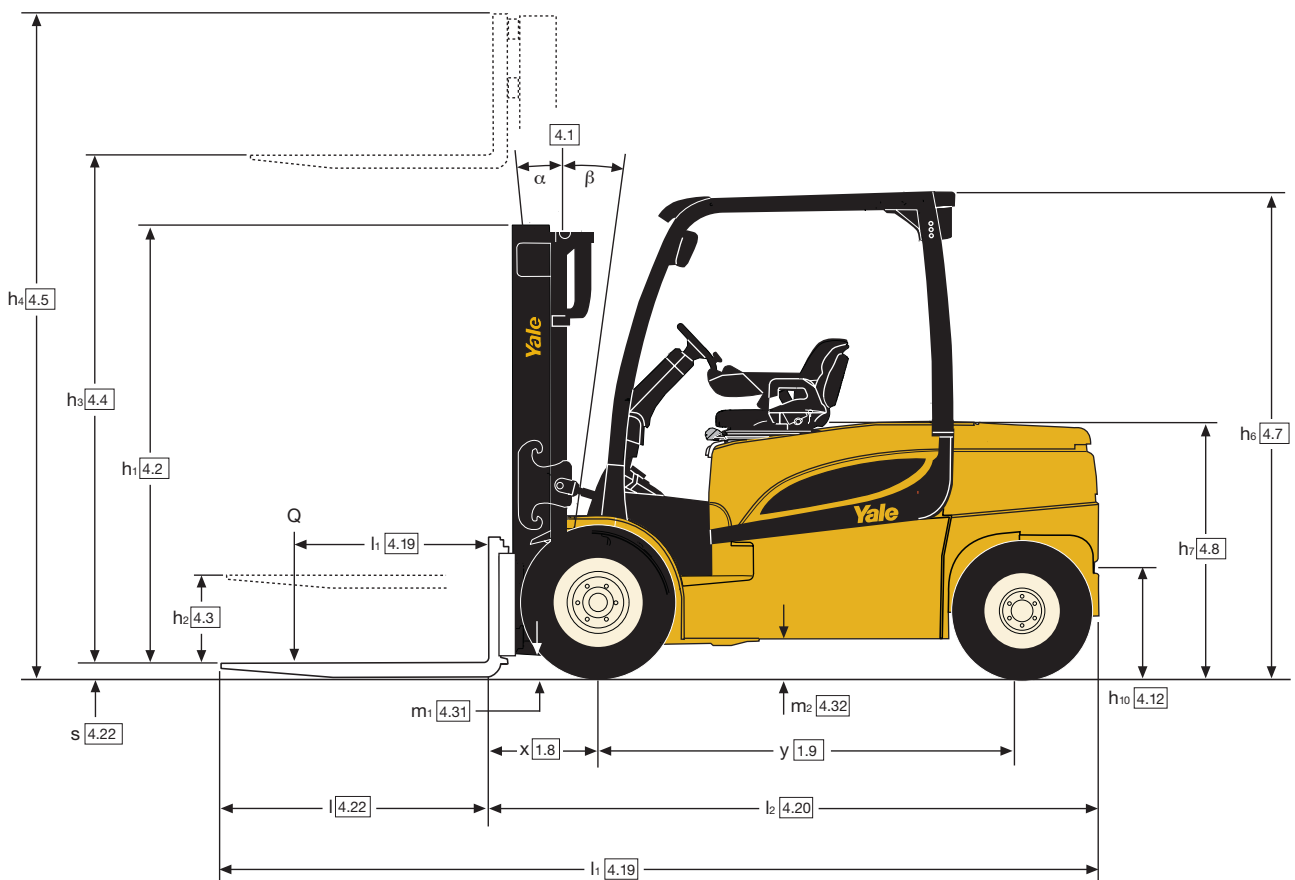
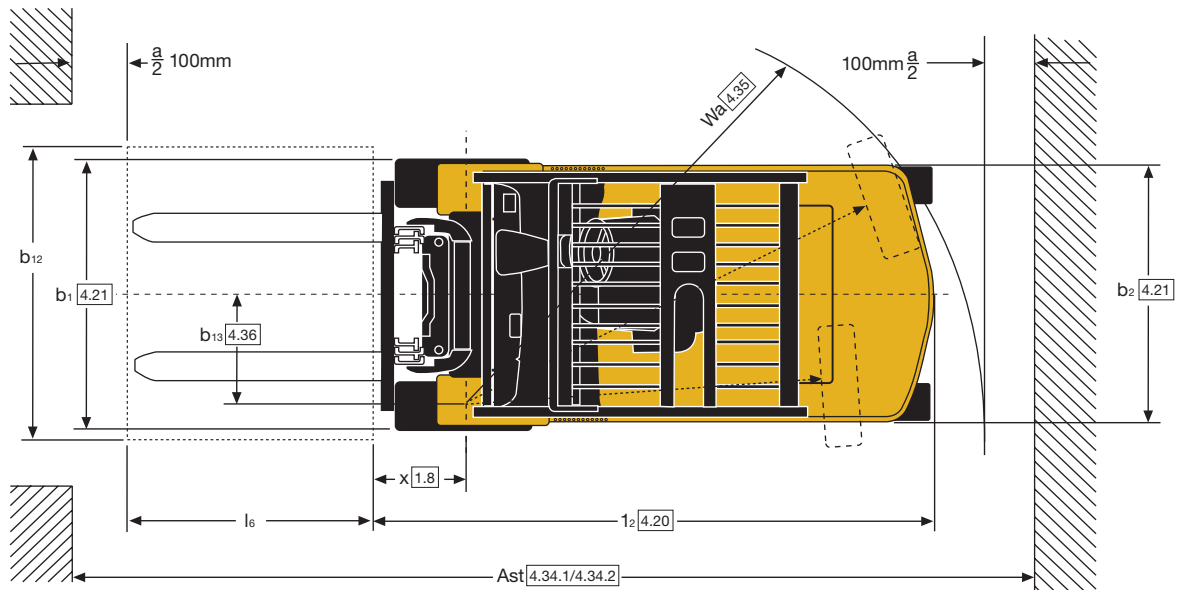
Electric forklift trucks



- Unique combination of Dual Front Drive and Extended Steering Axle
- IP54 sealed axle with dual AC 14.7kW motors
- Class III / IV masts and Class IIIA / Class IV carriage combined with robust chassis construction for industry leading load handling stability

Truck Dimensions

If $b_{12}/2 \leq b_{13}$
 $Ast = Wa + x + l_6 + a$
 If $b_{12}/2 > b_{13}$
 $Ast = Wa + R + a = Wa + \sqrt{(l_6 + x)^2 + (b_{12}/2 - b_{13})^2} + a$



ERP 40VM Mast details and capacity ratings (kg) - superelastic tyres

Model							ERP 40VM					
Tyre size, front							250 x 15					
Overall width, front							50 x 120 x 1000mm					
Mast	h ₁ (mm)	h _{2+S} (mm)	h ₃ (mm)	h ₄ (mm)	Tilt		Forks			Integral sideshift		
					F	B	500	600	700	500	600	700
							Load centre kg)			Load centre kg)		
2 Stage LFL	2320	150	3350	4109 ⁽¹⁾	6	8	4000	3500	3480	4000	3500	3370
	2470	150	3650	4409 ⁽¹⁾	6	8	4000	3500	3470	4000	3500	3360
	2770	150	4250	5009 ⁽¹⁾	6	8	4000	3500	3460	3990	3500	3350
	3220	150	4950	5709 ⁽¹⁾	6	8	4000	3500	3430	3950	3500	3320
2 Stage FFL	2320	1514 ⁽²⁾	3375	4187 ⁽³⁾	6	8	4000	3500	3500	4000	3500	3430
	2470	1664 ⁽²⁾	3675	4487 ⁽³⁾	6	8	4000	3500	3490	4000	3500	3430
3 Stage LFL	2370	1564 ⁽²⁾	4950	5762 ⁽³⁾	6	8	4000	3500	3440	3980	3500	3360
	2470	1664 ⁽²⁾	5250	6062 ⁽³⁾	6	8	4000	3500	3430	3970	3500	3350
	2570	1764 ⁽²⁾	5550	6362 ⁽³⁾	6	8	4000	3500	3420	3970	3500	3350
	2770	1964 ⁽²⁾	6000	6812 ⁽³⁾	6	8	3890	3410	3320	3850	3410	3250

⁽¹⁾ Add 482mm with load backrest extension.

⁽²⁾ Deduct 435mm with load backrest extension.

⁽³⁾ Add 435mm with load backrest extension.

ERP 45VM, ERP 50VM Mast details and capacity ratings (kg) - superelastic tyres

Model							ERP 45VM						ERP 50VM					
Tyre size, front							250 x 15						355/50-15					
Overall width, front							50 x 120 x 1000mm						50 x 150 x 1200mm					
Mast	h ₁ (mm)	h _{2+S} (mm)	h ₃ (mm)	h ₄ (mm)	Tilt		Forks			Integral sideshift			Forks			Integral sideshift		
					F	B	500	600	700	500	600	700	500	600	700	500	600	700
							Load centre kg)			Load centre kg)			Load centre kg)			Load centre kg)		
2 Stage LFL	2320	150	3090	3855 ⁽¹⁾	6	8	4500	4100	3880	4480	4090	3950	4990	4500	3760	4910	4490	3950
	2470	150	3390	4155 ⁽¹⁾	6	8	4500	4100	3870	4470	4080	3950	4990	4500	3950	4900	4480	3950
	2770	150	3990	4755 ⁽¹⁾	6	8	4500	4100	3860	4450	4060	3950	4990	4500	3740	4880	4460	3950
	3220	150	4690	5455 ⁽¹⁾	6	8	4500	4100	3820	4410	4030	3950	4910	4410	3710	4760	4350	3950
	3620	150	5290	6055 ⁽¹⁾	6	8	4410	4020	3720	4300	3920	3950	4700	4240	3610	4540	4150	3840
	4020	150	5890	6655 ⁽¹⁾	6	8	4260	3890	3580	4130	3770	3750	4450	4040	3810	4300	3930	3640
2 Stage FFL	2470	1658 ⁽⁴⁾	3559	4371 ⁽⁵⁾	6	8	4500	4100	3880	4500	4100	3950	4990	4500	3810	4970	4500	3950
3 Stage LFL	2370	1558 ⁽⁴⁾	4835	5647 ⁽⁵⁾	6	8	4440	4050	3790	4390	4020	3950	4790	4310	3710	4690	4290	3950
	2470	1658 ⁽⁴⁾	5135	5947 ⁽⁵⁾	6	8	4380	3990	3730	4320	3950	3950	4690	4220	3640	4580	4190	3890
	2570	1758 ⁽⁴⁾	5435	6247 ⁽⁵⁾	6	8	4310	3930	3660	4240	3880	3880	4590	4130	3580	4470	4090	3800

⁽¹⁾ Add 482mm with load backrest extension.

⁽⁴⁾ Add 429mm with load backrest extension.

⁽⁵⁾ Deduct 429mm with load backrest extension.

ERP 50VM6, ERP 55VM6 Mast details and capacity ratings (kg) - superelastic tyres

Model							ERP 50VM6						ERP 55VM6					
Tyre size, front							355/50-15						355/50-15					
Overall width, front							50 x 150 x 1200mm						60 x 150 x 1200mm					
Mast	h ₁ (mm)	h _{2+S} (mm)	h ₃ (mm)	h ₄ (mm)	Tilt		Forks			Integral sideshift			Forks			Integral sideshift		
					F	B	500	600	700	500	600	700	500	600	700	500	600	700
							Load centre kg)			Load centre kg)			Load centre kg)			Load centre kg)		
2 Stage LFL	2320	150 ⁽⁶⁾	3090 ⁽⁶⁾	4030 ⁽⁶⁾	6	8	5400	5000	4770	5400	5000	4630	5500	5500	5150	5500	5410	5000
	2470	150 ⁽⁶⁾	3390 ⁽⁶⁾	4330 ⁽⁶⁾	6	8	5400	5000	4760	5400	5000	4620	5500	5500	5140	5500	5410	5000
	2770	150 ⁽⁶⁾	3990 ⁽⁶⁾	4930 ⁽⁶⁾	6	8	5400	5000	4750	5400	4990	4610	5500	5500	5130	5500	5390	4980
	3220	150 ⁽⁶⁾	4690 ⁽⁶⁾	5630 ⁽⁶⁾	6	8	5400	5000	4720	5400	4960	4580	5500	5500	5100	5500	5360	4950
	3620	150 ⁽⁶⁾	5290 ⁽⁶⁾	6230 ⁽⁶⁾	6	8	5330	4940	4630	5310	4870	4500	5310	5310	4900	5310	5150	4760
	4020	150 ⁽⁶⁾	5890 ⁽⁶⁾	6830 ⁽⁶⁾	6	8	5110	4740	4420	5070	4650	4290	5070	5070	4680	5090	4920	4540
2 Stage FFL	2170	1184 ⁽⁷⁾⁽⁹⁾	2815 ⁽⁹⁾	3807 ⁽⁸⁾	6	8	5400	5000	4710	5390	4950	4570	5500	5160	5160	5420	5010	5010
3 Stage LFL	2170	1178 ⁽⁷⁾⁽⁹⁾	4137	5129 ⁽⁸⁾	6	8	5400	5000	4690	5380	4930	4560	5500	5110	5110	5380	4970	4970
	2370	1378 ⁽⁷⁾⁽⁹⁾	4690	5682 ⁽⁸⁾	6	8	5400	5000	4670	5360	4920	4540	5500	5100	5100	5360	4960	4960
	2470	1478 ⁽⁷⁾⁽⁹⁾	4990	5982 ⁽⁸⁾	6	8	5400	5000	4660	5350	4910	4530	5410	5000	5000	5270	4870	4870
	2570	1578 ⁽⁷⁾⁽⁹⁾	5290	6282 ⁽⁸⁾	6	8	5350	4950	4610	5290	4860	4490	5310	4910	4910	5160	4770	4700

⁽⁶⁾ Add 334mm with load backrest extension

⁽⁷⁾ Deduct 282mm with load backrest extension.

⁽⁸⁾ Add 282mm with load backrest extension.

⁽⁹⁾ Add 10mm for ERP55VM6.

All values are nominal values and they are subject to tolerances. For further information, please contact the manufacturer.
Yale products might be subject to change without notice.

Lift trucks illustrated may feature optional equipment.
Values may vary with alternative configurations.

VDI 2198 - General Specifications

			Yale	Yale
Distinguishing mark	1.1	Manufacturer (abbreviation)		Yale
	1.2	Manufacturer's type designation		ERP40VM
	1.3	Drive: electric (battery or mains), diesel, petrol, fuel gas		Electric (battery)
	1.4	Operator type: hand, pedestrian, standing, seated, order-picker		Seated
	1.5	Rated capacity/rated load	Q (t)	4.0
	1.6	Load centre distance	c (mm)	500
	1.8	Load distance, centre of drive axle to fork	x (mm)	523
	1.9	Wheelbase	y (mm)	2020
	1.9	Wheelbase		2020
Weights	2.1	Service weight ■	kg	7435
	2.2	Axle loading, laden front/rear ■	kg	10006 / 1429
	2.3	Axle loading, unladen front/rear ■	kg	3980 / 3455
Tyres/chassis	3.1	Tyres: P=pneumatic, C=cushion, SE=superelastic		SE
	3.2	Tyre size, front		250 x 15
	3.3	Tyre size, rear		7.00 x 12
	3.5	Wheels, number front/rear (x = driven wheels)		2X / 2
	3.6	Tread, front *	b ₁₀ (mm)	1123 / 1167
	3.7	Tread, rear	b ₁₁ (mm)	1143
	3.7	Tread, rear		1143
Dimensions	4.1	Tilt of mast/fork carriage forward/backward	α / β (°)	6 / 8
	4.2	Height, mast lowered	h ₁ (mm)	2320
	4.3	Free lift ▼	h ₂ (mm)	100
	4.4	Lift ▼	h ₃ (mm)	3300
	4.5	Height, mast extended +	h ₄ (mm)	4109
	4.7	Height of overhead guard (cabin) ○	h ₆ (mm)	2338
	4.7.1	Cab height (open cab)	(mm)	2350
	4.8	Seat height relating to SIP/stand height ✕	h ₇ (mm)	1318
	4.12	Coupling height	h ₁₀ (mm)	526
	4.19	Overall length	l ₁ (mm)	3908
	4.20	Length to face of forks	l ₂ (mm)	2908
	4.21	Overall width *	b ₁ /b ₂ (mm)	1373 / 1451
	4.22	Fork dimensions DIN ISO 2331	s/e/l (mm)	50 / 120 / 1000
	4.23	Fork carriage ISO 2328, class/type A, B		3A
	4.24	Fork carriage width ▴	b ₃ (mm)	1219
	4.31	Ground clearance, laden, below mast	m ₁ (mm)	130
	4.32	Ground clearance, centre of wheelbase	m ₂ (mm)	177
	4.33	Load dimension b ₁₂ × l ₆ crossways		1000 x 1200
	4.34	Aisle width predetermined load dimensions	A _{st} (mm)	4161
	4.34.1	Aisle width with pallets 1 000 x 1 200 wide	A _{st} (mm)	4161
	4.34.2	Aisle width with pallets 800 x 1 200 long	A _{st} (mm)	4336
	4.35	Turning radius	W _a (mm)	2411
	4.36	Internal turning radius	b ₁₃ (mm)	313
4.41	90° intersecting aisle (With pallet W = 1200mm, L = 1000mm)	(mm)	2302	
4.42	Step Height (from ground to running board)	(mm)	840	
4.43	Step Height	(mm)	490	
Performance data	5.1	Travel speed, laden/unladen ✓	km/h	20.0 / 21.0
	5.1.1	Travel speed, laden/unladen, backwards	km/h	20.0 / 21.0
	5.2	Lift speed, laden/unladen	m/sec	0.44 / 0.60
	5.3	Lowering speed, laden/unladen	m/sec	0.53 / 0.48
	5.5	Drawbar pull, laden/unladen **	N	6422 / 6561
	5.6	Max. drawbar pull, laden/unladen ***	N	17203 / 17725
	5.7	Gradeability, laden/unladen ****	%	8.1 / 11.8
	5.8	Max. gradeability, laden/unladen ***	%	15.6 / 23.0
	5.9	Acceleration time, laden/unladen ✓	s	5.1 / 4.6
	5.10	Service brake		Hydraulic
Electric-engine	6.1	Drive motor rating S2 60 min	kW	2x / 14.7
	6.2	Lift motor rating at S3 15%	kW	36
	6.3	Battery according to DIN 43531/35/36 A, B, C, no		43536 A
	6.4	Battery voltage/nominal capacity K5	(V)/(Ah)	0 / 840/930
	6.5	Battery weight (min./max)	kg	2069 / 2287
	6.6	Energy consumption according to VDI cycle *	kWh/h @Nr of Cycles	10.6
8.1	Drive control		AC electronic	
Addition data	10.1	Operating pressure for attachments	bar	155
	10.2	Oil volume for attachments ◇	l/min	60
	10.3	Hydraulic oil tank, capacity	l	49.6
	10.7	Sound pressure level at the driver's seat ★	dB(A)	68
	10.8	Towing coupling, type DIN		Pin

* Standard / Wide tread ■ Max. battery ✕ Full suspension seat in depressed position. ◇ Variable
 ** 60 minute rating ▼ Bottom of forks ▽ Add 30mm with load backrest ★ LPAZ, measured according to the test
 *** 5 minute rating + Without load backrest. ◆ HiP performance setting. cycles and based on the weighting
 **** 30 minute rating ○ h₆ subject to +/- 5mm tolerance. * eLo performance setting. values contained in EN12053. **Weights are based on the following specifications:-** Complete truck with 3350mm (ERP40VM) / 2990mm (ERP45-50VM) / 3100 mm (ERP50-

Yale	Yale	Yale		Manufacturer (abbreviation)	1.1	Distinguishing mark
ERP50VM	ERP50VM6	ERP55VM6		Manufacturer's type designation	1.2	
Electric (battery)	Electric (battery)	Electric (battery)		Drive: electric (battery or mains), diesel, petrol, fuel gas	1.3	
Seated	Seated	Seated		Operator type: hand, pedestrian, standing, seated, order-picker	1.4	
4.9	5.0	5.5	Q (t)	Rated capacity/rated load	1.5	
500	600	600	c (mm)	Load centre distance	1.6	
523	581	591	x (mm)	Load distance, centre of drive axle to fork	1.8	
2020	2180	2180	y (mm)	Wheelbase	1.9	
7821	8656	8867	kg	Service weight ■	2.1	
11603 / 1219	12236 / 1420	13025 / 1342	kg	Axle loading, laden front/rear ■	2.2	
4070 / 3751	4467 / 4189	4520 / 4347	kg	Axle loading, unladen front/rear ■	2.3	
SE	SE	SE		Tyres: P=pneumatic, C=cushion, SE=superelastic	3.1	Weights
355/50-15	355/50-15	355/50-15		Tyre size, front	3.2	
7.00 x 12	28 x 9-15	28 x 9-15		Tyre size, rear	3.3	
2X / 2	2X / 2	2X / 2		Wheels, number front/rear (x = driven wheels)	3.5	
- / 1167	- / 1167	- / 1167	b ₁₀ (mm)	Tread, front *	3.6	
1143	1143	1143	b ₁₁ (mm)	Tread, rear	3.7	
6 / 8	6 / 8	6 / 8	α / β (°)	Tilt of mast/fork carriage forward/backward	4.1	
2320	2320	2320	h ₁ (mm)	Height, mast lowered	4.2	
100	100	100	h ₂ (mm)	Free lift ▼	4.3	
3040	3040	3040	h ₃ (mm)	Lift ▼	4.4	
3855	4030	4030	h ₄ (mm)	Height, mast extended +	4.5	
2338	2338	2338	h ₆ (mm)	Height of overhead guard (cabin) ○	4.7	
2350	2350	2350	(mm)	Cab height (open cab)	4.7.1	
1318	1318	1318	h ₇ (mm)	Seat height relating to SIP/stand height ✕	4.8	
526	526	526	h ₁₀ (mm)	Coupling height	4.12	
4108	4326	4336	l ₁ (mm)	Overall length	4.19	
2908	3126	3136	l ₂ (mm)	Length to face of forks	4.20	
- / 1451	- / 1451	- / 1451	b ₁ /b ₂ (mm)	Overall width *	4.21	
50 / 150 / 1200	50 / 150 / 1200	60 / 150 / 1200	s/e/l (mm)	Fork dimensions DIN ISO 2331	4.22	
3A	4A	4A		Fork carriage ISO 2328, class/type A, B	4.23	
1219	1219	1219	b ₃ (mm)	Fork carriage width ▶	4.24	
135	135	135	m ₁ (mm)	Ground clearance, laden, below mast	4.31	
177	177	177	m ₂ (mm)	Ground clearance, centre of wheelbase	4.32	
1000 x 1200	1000 x 1200	1000 x 1200	b ₁₂ × l ₆ (mm)	Load dimension b ₁₂ × l ₆ crossways	4.33	
4161	4381	4391	A _{st} (mm)	Aisle width predetermined load dimensions	4.34	
4161	4381	4391	A _{st} (mm)	Aisle width with pallets 1 000 x 1 200 wide	4.34.1	
4336	4555	4565	A _{st} (mm)	Aisle width with pallets 800 x 1 200 long	4.34.2	
2411	2573	2573	W _a (mm)	Turning radius	4.35	
313	337	337	b ₁₃ (mm)	Internal turning radius	4.36	
2302	2421	2423	(mm)	90° intersecting aisle (With pallet W = 1200mm, L = 1000mm)	4.41	
840	840	840	(mm)	Step Height (from ground to running board)	4.42	
490	490	490	(mm)	Step Height	4.43	
20.0 / 21.0	20.0 / 21.0	19.5 / 21.0	km/h	Travel speed, laden/unladen ✓	5.1	
20.0 / 21.0	20.0 / 21.0	19.5 / 21.0	km/h	Travel speed, laden/unladen, backwards	5.1.1	
0.36 / 0.47	0.30 / 0.46	0.30 / 0.46	m/sec	Lift speed, laden/unladen	5.2	
0.45 / 0.37	0.46 / 0.36	0.46 / 0.36	m/sec	Lowering speed, laden/unladen	5.3	
6487 / 6627	6602 / 6442	6598 / 6429	N	Drawbar pull, laden/unladen **	5.5	
17377 / 17891	17326 / 17880	17312 / 17874	N	Max. drawbar pull, laden/unladen ***	5.6	
7.3 / 11.3	6.7 / 9.9	6.4 / 9.7	%	Gradeability, laden/unladen ****	5.7	
14.1 / 22.2	13.7 / 21.5	13 / 21	%	Max. gradeability, laden/unladen ***	5.8	
5.3 / 4.6	4.70 / 4.20	4.90 / 4.20	s	Acceleration time, laden/unladen ✓	5.9	
Hydraulic	Hydraulic	Hydraulic		Service brake	5.10	
2x 14.7	2x 14.7	2x 14.7	kW	Drive motor rating S2 60 min	6.1	
36	36.0	36.0	kW	Lift motor rating at S3 15%	6.2	
43536 A	43536 A	43536 A		Battery according to DIN 43531/35/36 A, B, C, no	6.3	
80 / 840/930	80 / 840/930	80 / 840/930	(V)/(Ah)	Battery voltage/nominal capacity K5	6.4	
2069 / 2287	2069 / 2287	2069 / 2287	kg	Battery weight (min./max)	6.5	
12.3	13.10	13.40	kWh/h @Nr of Cycles	Energy consumption according to VDI cycle *	6.6	
AC electronic	AC electronic	AC electronic		Drive control	8.1	
155	155	155	bar	Operating pressure for attachments	10.1	
60	60	60	l/min	Oil volume for attachments ◇	10.2	
496	49.6	49.6	l	Hydraulic oil tank, capacity	10.3	
68	68	68	dB(A)	Sound pressure level at the driver's seat ★	10.7	
Pin	Pin	Pin		Towing coupling, type DIN	10.8	

55VM6), 2 stage limited free lift mast, standard carriage, 1000 mm forks (ERP40VM) / 1200 mm forks (ERP45-50VM; ERP50-55VM6) and load backrest, manual hydraulics and superelastic drive and steer tyres.

All values are nominal values and they are subject to tolerances. For further information, please contact the manufacturer.

Yale products might be subject to change without notice. Lift trucks illustrated may feature optional equipment.

Values may vary with alternative configurations.

VM series

Models: ERP 40VM, ERP 45VM, ERP 50VM, ERP 50VM6, ERP 55VM6

The VM Series is designed to handle the loads found in tough indoor or outdoor applications such as timber processors and handlers, automotive manufacturers, paper/pulp, beverage / bottle handling and breweries / distilleries, metal works and fabricators, cargo storage and warehousing, building and construction.

Offers many functions and features, including eLo and HiP performance settings and high mounted multi feature dash display which can be found on all Yale electric counterbalance trucks.

Productivity

- 80V dual front wheel drive with AC motors throughout (hoist/steer and traction)
- HiP performance setting offers the ultimate in e-Balance. ICE-like productivity and low energy consumption
- Dual drive motor and Extended Steering Axle is a unique feature in this capacity segment, which allows for excellent manoeuvrability and productivity, thanks to a 4161mm turning aisle width for ERC 40VM-ERC50VM models (1000mm x 1200mm pallet), while still offering unrivalled operator foot space and comfort
- The truck is designed for heavy duty usage and has superb residual capacity and Heavy Duty Class IV carriage and side shift on ERC50VM6 and ERC55VM6 models. This allows operations to be more productive through confident load handling
- Offers the fastest travel speeds in the industry (21km/h unladen) to match ICE truck performance with a stunning maximum laden lift speed of 0.44 m/s.
- Designed to meet the requirements of intensive applications where high productivity is of the essence
- Available options, which enhance productivity include; AccuTouch™ mini levers integrated into the armrest, light kits, carriage with integral side shift, full or partial cabins including optional heater, programmable maintenance reminder option.

Ergonomics

- Yale focuses on ensuring that the operator's first hour is as productive as the last. The lowest vibration seat (0.5m/s² according to EN13059 - Safety of Industrial Trucks), low noise



motors and pumps and the acclaimed AccuTouch™ mini levers and armrest all ensure that the operator is comfortable at all times.

- The standard truck features a low noise level of 68dB(A).
- Dual drive motor and Extended Steering Axle deliver a very tight turning circle, allowing the truck to be long enough to feature a very spacious operator compartment
- Superelastic tyres for a comfortable ride over rough terrain
- Options - Full or partial cabin with heater option, high backrest seat with lumbar support, AccuTouch™ mini lever module and armrest telescopic steer column with memory tilt.

Cost of Ownership

- Designed to deliver the optimal balance between productivity and energy consumption (e-Balance) to give you a low cost per pallet moved in varying application conditions
- Designed to be the most robust electric CB on the market, to withstand the rigours of the toughest applications
- Extended belly pan, Tilt cylinder boots and IP54 rated drive axle for the ultimate protection during outdoor use.
- 840-930 Ah 80V DIN batteries available



- Oil immersed brakes and automatic park brakes - save money and have lower maintenance requirements.

Dependability

- Part of the successful V range that has brought you industry leading reliability
- Strong construction and proven components ensure long term reliability and durability e.g. VSM (Vehicle system manager), O-ring face seal fittings, AC motors, sealed electrical connectors, Hall Effect sensors, solid state encoders
- Robust truck with highly rigid construction has been designed with a heavy duty mast and axle for excellent load handling capability and high residual capacity, in order to ensure fast, stable load handling and high productivity in arduous and intensive heavy duty applications



- Optional auxiliary hydraulic cooler for the most intense lifting applications, side thrust bearings in carriage for attachment use.
 - High backrest seat with lumbar support and headrest
 - Telescopic steering column with memory tilt
 - Modular cabin with heater
 - FDC
 - LED light packages with visible alarm strobe
 - Audible back up alarm
 - 12V power outlet
 - DIN batteries and chargers from multiple suppliers
 - Extended warranty (36 Months / 6000 hours)
 - Dual internal and Panoramic mirror
 - Load weight indicator
 - Impact sensor
 - Keyless start with Operator ID
 - Daily Operator checklist
 - System Monitoring
 - Auxillary hydraulic cooler (standard on ERP55VM6)
 - Side thrust bearings for attachment use
 - Spray and corrosive environment “wash down” protection kit.
- Servicability**
- Service intervals = 1000 hours / 6 months
 - VSM and CANbus technology - faster troubleshooting and resolution
 - Maintenance free automatic park brake
 - Oil-immersed brakes service interval = 4000 hours
 - Drive axle / transmission oil change interval = 4000 hours
 - AC motors on traction and hoist are maintenance free
 - Hydraulic oil change interval = 4000 hours
 - Standard warranty = 2000 hours or one year
 - Power train warranty = 4000 hours or two years
 - Available programmable maintenance reminder.
- Options**
- 10 Class III standard mast offerings
 - 10 Class IV standard mast offerings
 - Wide tread (front) for wide load handling and dual wheels for enhanced ride on rough yards
 - Load backrest and forks
 - Integral side shift
 - Auxiliary hydraulic cooler
 - Side thrust bearings for attachment usage
 - Non marking tyres
 - AccuTouch™ mini levers
 - Swivel full suspension seats (cloth / vinyl)

VM series

Models: ERP 40VM, ERP 45VM, ERP 50VM, ERP 50VM6, ERP 55VM6



HYSTER-YALE UK LIMITED
trading as **Yale Europe Materials Handling**
Centennial House, Frimley Business Park,
Frimley, Surrey GU16 7SG, United Kingdom.


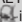
Tel: +44 (0) 1276 538500
Fax: +44 (0) 1276 538559

www.yale-forklifts.eu



Publication part no. 220990073 Rev.04 Printed in The Netherlands (0718HG) EN.

Safety: This truck conforms to the current EU requirements. Specification is subject to change without notice.

Yale, VERACITOR and  are registered trademarks. "PEOPLE, PRODUCTS, PRODUCTIVITY", PREMIER, Hi-Vis, and CSS are trademarks in the United States and certain other jurisdictions. MATERIALS HANDLING CENTRAL and MATERIAL HANDLING CENTRAL are Service Marks in the United States and certain other jurisdictions.  is a Registered Copyright.

©Yale Europe Materials Handling 2018. All rights reserved. Truck shown with optional equipment.
Country of Registration: England and Wales. Company Registration Number: 02636775