

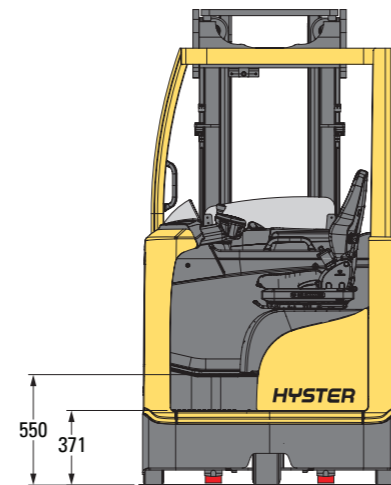
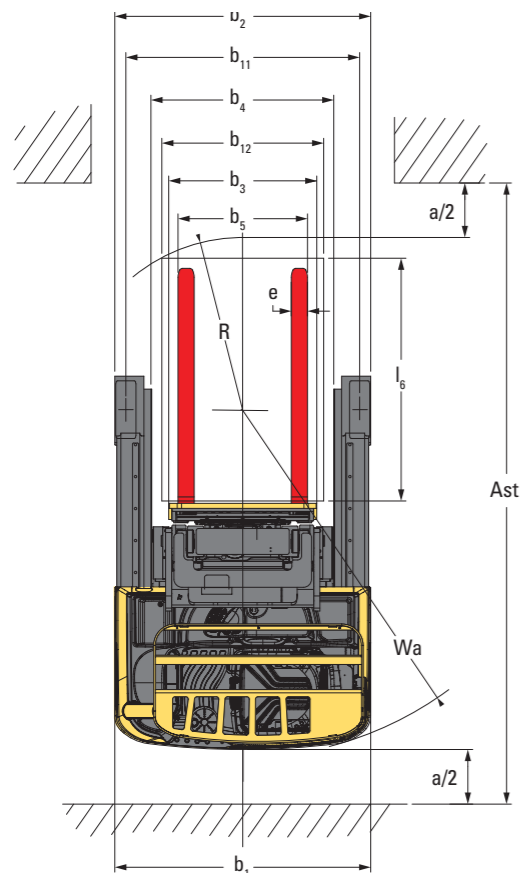
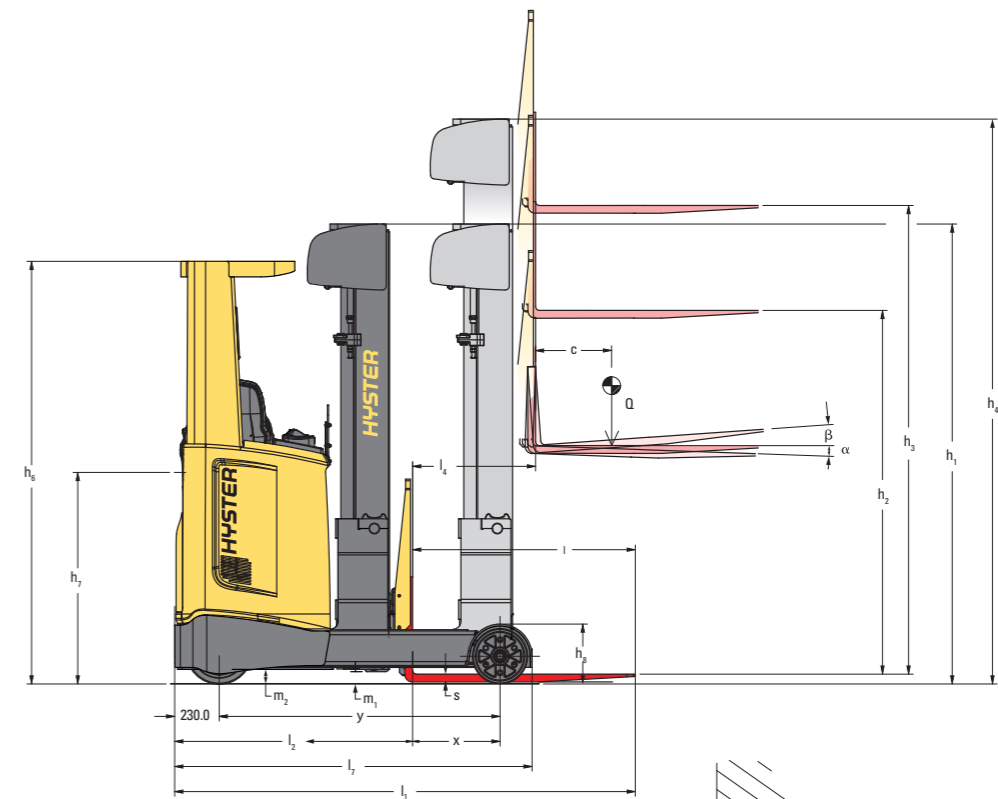
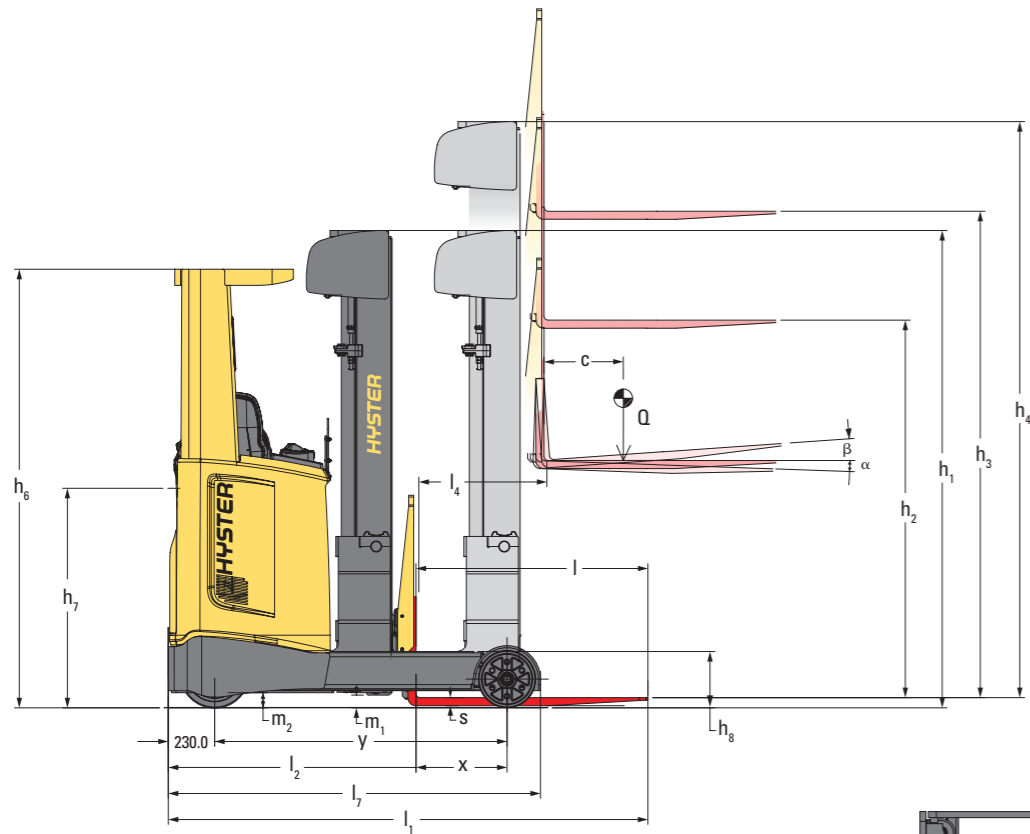
# R1.4-2.5 SERIES

---



## WAREHOUSE REACH TRUCK PRODUCT TECHNICAL GUIDE





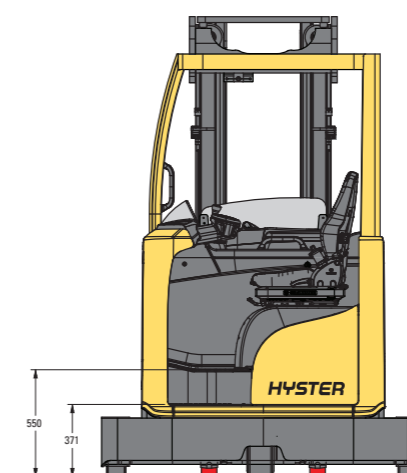
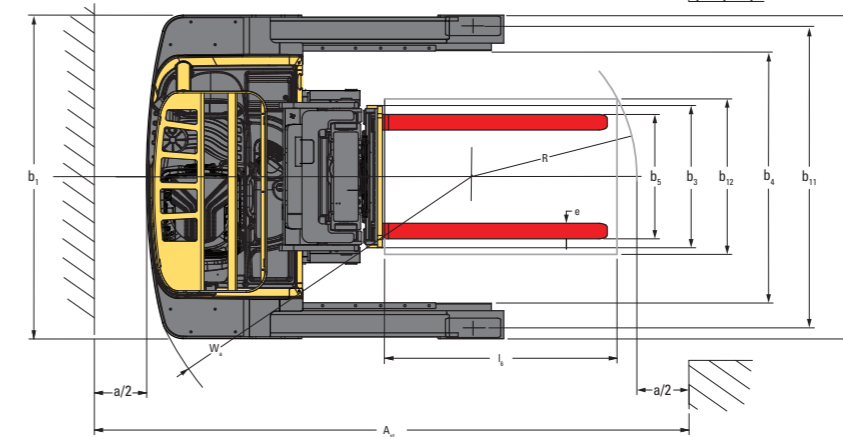
$$Ast = Wa + R + a$$

(see lines 4.34.1 and 4.34.2)

$$R = \sqrt{(l_6 - x)^2 + \left(\frac{b_{12}}{2}\right)^2}$$

$$a = 200\text{mm}$$

All values are nominal values and they are subject to tolerances.  
For further information, please contact the manufacturer.  
Hyster products might be subject to change without notice.  
Lift trucks illustrated may feature optional equipment.  
Values may vary with alternative configurations.



$$Ast = Wa + R + a$$

(see lines 4.34.1 and 4.34.2)

$$R = \sqrt{(l_6 - x)^2 + \left(\frac{b_{12}}{2}\right)^2}$$

$$a = 200\text{mm}$$

All values are nominal values and they are subject to tolerances.  
For further information, please contact the manufacturer.  
Hyster products might be subject to change without notice.  
Lift trucks illustrated may feature optional equipment.  
Values may vary with alternative configurations.

GENERAL		HYSTER									
		R1.4		R1.6		R1.6N		R2.0			
1-1	Manufacturer (abbreviation)	HYSTER									
1-2	Manufacturer's type designation	R1.4		R1.6		R1.6N		R2.0			
1-3	Drive: electric (battery or mains), diesel, petrol, fuel gas	Electric (battery)									
1-4	Operator type: hand, pedestrian, standing, seated, order-picker	Seated									
1-5	Rated capacity/Rated load	Q <sub>1</sub>	t	1.4	1.6	2.0					
1-6	Load centre distance	c	mm	600							
1-8	Load distance, centre of drive axle to fork (9) (10) (16) (17)	x	mm	258	308	202	343				
1-9	Wheelbase	y	mm	1400	1450	1500					
2-1	Service weight	kg		3495	3546	3498	3801				
2-3	Axle loading, unladen front/rear (5)	kg		2055	1440	2103	1443	1955	1543	2296	1504
2-4	Axle loading fork advanced, laden front/rear	kg		885	4010	810	4336	757	4341	770	5030
2-5	Axle loading fork retracted, laden front/rear	kg		1711	3184	1779	3367	1514	3584	1971	3829
3-1	Tyre type	NDIIThane									
3-2	Tyre size, front	ø	mm x mm	343 x 140							
3-3	Tyre size, rear	ø	mm x mm	285 x 100							
3-5	Wheels, number front / rear (x = driven wheels)			1x / 2							
3-7	Tread, rear	b <sub>11</sub>	mm	1155		1025		1155			
4-1	Tilt of mast/fork carriage forward/backward	α / β	(°)	2 / 4							
4-2	Height of mast, lowered	h <sub>1</sub>	mm	2195							
4-3	Free lift	h <sub>2</sub>	mm	1648		1582		1582			
4-4	Lift	h <sub>3</sub>	mm	5000		4650		4650			
4-5	Height, mast extended (1)	h <sub>4</sub>	mm	5563		5263		5263			
4-7	Height of overhead guard (cabin) (2) (12) (15)	h <sub>6</sub>	mm	2175							
4-8	Seat height relating to SIP	h <sub>7</sub>	mm	1082							
4-10	Height of wheel arms	h <sub>8</sub>	mm	308							
4-19	Overall length	l <sub>1</sub>	mm	2523		2629		2538			
4-20	Length to face of forks (16) (17)	l <sub>2</sub>	mm	1373		1479		1388			
4-21	Overall width (3) (13) (14)	b <sub>1</sub> /b <sub>2</sub>	mm	1265		1265		1125		1265	
4-22	Fork dimensions DIN ISO 2331	s/e/l	mm	40 / 80 / 1150		40 / 120 / 1150					
4-23	Fork carriage ISO 2328, class/type A, B			2A							
4-24	Fork-carriage width	b <sub>3</sub>	mm	700							
4-25	Distance between fork-arms MIN/MAX (8)	b <sub>5</sub>	mm	220 / 640		260 / 680					
4-26	Distance between wheel arms/loading surfaces	b <sub>4</sub>	mm	900		795		900			
4-28	Reach distance	l <sub>4</sub>	mm	441		491		385		541	
4-31	Ground clearance, laden, below mast	m <sub>1</sub>	mm	75							
4-32	Ground clearance, centre of wheelbase	m <sub>2</sub>	mm	85							
4-34-1	Aisle width for pallets 1000mm x 1200mm crossways (11) (16) (17)	A <sub>st</sub>	mm	2826		2834		2899		2857	
4-34-2	Aisle width for pallets 800mm x 1200mm lengthwise (11) (16) (17)	A <sub>sl</sub>	mm	2895		2896		2976		2913	
4-35	Turning radius	W <sub>a</sub>	mm	1671		1718		1700		1767	
4-37	Length across wheel arms	l <sub>7</sub>	mm	1795		1845		1845		1895	
4-42	Step height (from ground to running board)			550							
4-43	Step height (between intermediate steps between running board and floor)			371							
5-1	Travel speed, laden/unladen (7)	km/h		11 / 11 (14 / 14) (20)							
5-1-1	Travel speed, laden/unladen, backwards (7)	km/h		11 / 11 (14 / 14) (20)							
5-2	Lift speed, laden/unladen (7)	m/s		0.37 / 0.63 (0.47 / 0.73)		0.32 / 0.63 (0.42 / 0.73)		0.37 / 0.64		0.37 / 0.64	
5-3	Lowering speed, laden/unladen	m/s		0.55		0.55		0.55 / 0.50		0.55 / 0.50	
5-4	Reaching speed, laden/unladen	m/s		0.17 / 0.17							
5-7	Gradeability, laden/unladen (7)(18)	%		7 / 10 (15 / 20)		12 / 20		12 / 20			
5-8	Max. gradeability laden/unladen (7)(18)	%		15 / 20 (15 / 20)		14 / 20 (14 / 20)		12 / 20		12 / 20	
5-9	Acceleration time laden/unladen (7)	s		3.3 / 3.3 (2.6 / 2.6)		3.4 / 3.4 (2.7 / 2.7)		2.6 / 2.5		2.6 / 2.5	
5-10	Service brake			Electric							
6-1	Drive motor S2 60 minute rating (7)	kW		5.4 (9.6) (19)		9.6		9.6			
6-2	Lift motor, S3 15% rating (7)	kW		9.9 (14)		14		14			
6-3	Battery according to DIN 43531/35/36 A,B,C, no			C		B		C			
6-4	Battery voltage/nominal capacity K5	(V)/(Ah)		48 / 700 (6)		48 / 700 (6)		48 / 840 (6)			
6-5	Battery weight (4)	kg		1119		1119		1306			
6-6	Energy consumption according to VDI cycle	kWh/h		2,72 (2,68)		3,01 (2,96)		3,90 (4,23)		3,90 (4,23)	
6-7	Turnover output according to VDI 2198 (7)	t/h		56 (60)		65 (68)		79 (79)		79 (79)	
6-8	Turnover efficiency according to VDI 2198 (7)	t/kWh		20 (18)		20 (20)		19 (18)		19 (18)	
8-1	Type of drive unit			AC-Controller							
10-1	Operating pressure for attachments	bar		180							
10-2	Oil volume for attachment	l/min		20							
10-7	Sound pressure level at the driver's seat	dB (A)		<69.7							

GENERAL		HYSTER								
		R2.5		R1.6HD		R2.0HD				
1-1	Manufacturer (abbreviation)	HYSTER								
1-2	Manufacturer's type designation	R2.5		R1.6HD		R2.0HD				
1-3	Drive: electric (battery or mains), diesel, petrol, fuel gas	Electric (battery)								
1-4	Operator type: hand, pedestrian, standing, seated, order-picker	Seated								
1-5	Rated capacity/Rated load	Q <sub>1</sub>	t	2.5	1.6	2.0				
1-6	Load centre distance	c	mm	600						
1-8	Load distance, centre of drive axle to fork (9) (10) (16) (17)	x	mm	416		293		315		
1-9	Wheelbase	y	mm	1670		1450		1550		
2-1	Service weight	kg		4230	4224	4617				
2-3	Axle loading, unladen front/rear (5)	kg		2565	1665	2428	1796	2577	2040	
2-4	Axle loading fork advanced, laden front/rear	kg		876	5855	979	4845	985	5632	
2-5	Axle loading fork retracted, laden front/rear	kg		2306	4424	2104	3720	2149/	4468	
3-1	Tyre type	NDIIThane								
3-2	Tyre size, front	ø	mm x mm	343 x 140						
3-3	Tyre size, rear	ø	mm x mm	350 x 140		285 x 100		350 x 110		
3-5	Wheels, number front / rear (x = driven wheels)			1x / 2						
3-7	Tread, rear	b <sub>11</sub>	mm	1183		1155		1153		
4-1	Tilt of mast/fork carriage forward/backward	α / β	(°)	2 / 4						
4-2	Height of mast, lowered	h <sub>1</sub>	mm	2195		3227		3227		
4-3	Free lift	h <sub>2</sub>	mm	1582		2680		2614		2614
4-4	Lift	h <sub>3</sub>	mm	4650		7900		7750		7750
4-5	Height, mast extended (1)	h <sub>4</sub>	mm	5263		8463		8363		8363
4-7	Height of overhead guard (cabin) (2) (12) (15)	h <sub>6</sub>	mm	2175						
4-8	Seat height relating to SIP	h <sub>7</sub>	mm	1082						
4-10	Height of wheel arms	h <sub>8</sub>	mm	373		308		308		
4-19	Overall length	l <sub>1</sub>	mm	2615		2538		2615		2615
4-20	Length to face of forks (16) (17)	l <sub>2</sub>	mm	1465		1388		1465		1465
4-21	Overall width (3) (13) (14)	b <sub>1</sub> /b <sub>2</sub>	mm	1345		1265		1273		1273
4-22	Fork dimensions DIN ISO 2331	s/e/l	mm	45 / 120 / 1150						
4-23	Fork carriage ISO 2328, class/type A, B			2A						
4-24	Fork-carriage width	b <sub>3</sub>	mm	700						
4-25	Distance between fork-arms MIN/MAX (8)	b <sub>5</sub>	mm	260 / 680						
4-26	Distance between wheel arms/loading surfaces	b <sub>4</sub>	mm	900		795		900		
4-28	Reach distance	l <sub>4</sub>	mm	614		491		496		496
4-31	Ground clearance, laden, below mast	m <sub>1</sub>	mm	75						
4-32	Ground clearance, centre of wheelbase	m <sub>2</sub>	mm	85						
4-34-1	Aisle width for pallets 1000mm x 1200mm crossways (11) (16) (17)	A <sub>st</sub>	mm	2953		2845		2926		2926
4-34-2	Aisle width for pallets 800mm x 1200mm lengthwise (11) (16) (17)	A <sub>sl</sub>	mm	2992		2909		2986		2986
4-35	Turning radius	W <sub>a</sub>	mm	1930		1718		1815		1815
4-37	Length across wheel arms	l <sub>7</sub>	mm	2098		1845		1978		1978
4-42	Step height (from ground to running board)			550						
4-43	Step height (between intermediate steps between running board and floor)			371						
5-1	Travel speed, laden/unladen (7)	km/h		11 / 11 (14 / 14)						
5-1-1	Travel speed, laden/unladen, backwards (7)	km/h		11 / 11 (14 / 14)						
5-2	Lift speed, laden/unladen (7)	m/s		0.30 / 0.64		0.42 / 0.73		0.37 / 0.68		0.37 / 0.68
5-3	Lowering speed, laden/unladen	m/s		0.55 / 0.50		0.55		0.55		0.55
5-4	Reaching speed, laden/unladen	m/s		0.17 / 0.17						
5-7	Gradeability, laden/unladen (7)(18)	%		10 / 18		12 / 18		11 / 16		11 / 16
5-8	Max. gradeability laden/unladen (7)(18)	%		10 / 18		12 / 18		11 / 16		11 / 16
5-9	Acceleration time laden/unladen (7)	s		2.7/2.6		2.6/2.5		2.7/2.6		2.7/2.6
5-10	Service brake			Electric						
6-1	Drive motor S2 60 minute rating (7)	kW		9.6		9.6		9.6		
6-2	Lift motor, S3 15% rating (7)	kW		14		14		14		
6-3	Battery according to DIN 43531/35/36 A,B,C, no			C		B		C		
6-4	Battery voltage/nominal capacity K5	(V)/(Ah)		48		840 (6)		48		700 (6)
6-5	Battery weight (4)	kg		1306		1119		1306		1306
6-6	Energy consumption according to VDI cycle	kWh/h		4,08 (4,27)		-		-		-
6-7	Turnover output according to VDI 2198 (7)	t/h		97 (97)		-		-		-
6-8	Turnover efficiency according to VDI 2198 (7)	t/kWh		23 (22)		-		-		-
8-1	Type of drive unit			AC-Controller						
10-1	Operating pressure for attachments	bar		180						
10-2	Oil volume for attachment	l/min		20						
10-7	Sound pressure level at the driver's seat	dB (A)		<69.7						

**NOTES:**  
Specifications are affected by the condition of the vehicle and how it is equipped, as well as the nature and condition of the operating area. Inform your dealer of the nature and condition of the intended operating area when purchasing your Hyster® truck.

- (1) With load backrest h 4 + 508mm (R1.4-R1.6-R1.6N-R1.6HD), + 443mm (R2.0-R2.5-R2.0HD).
- (2) With beacon h 6 + 120mm. ;
- (3) With load wheels lateral covers: 1289mm (R1.4-R1.6-R2.0-R1.6HD), 1153mm (R1.6N), 1373mm (R2.5-R2.0HD).
- (4) These values may vary of +/- 5%.
- (5) Forks retracted.
- (6) See "Batteries table".
- (7) Values in brackets are Optional.
- (8) Side shift stroke is +/-75mm on all trucks. Reduced to +/-25mm for R1.6N.
- (9) For models R1.4-1.6 with mast 4 stg: "x" - 53mm.

- (10) For models R2.0-2.5 with mast 4 stg: "x" - 108mm.
- (11) For Ast with mast 4 stg, see "Mast table 4stg 14-16" and "Mast table 4stg 20-25"
- (12) With OHG Grid Protector h6 + 30mm ; With OHG Screen Protector h6 + 45mm .
- (13) For model R1.6N with work lights on carriage w900mm: b1 +113mm
- (14) With work lights on carriage w1100mm :  
for model R1.6N: b1 + 313 mm  
for models R1.4-R1.6/MR16 - R2.0-R1.6HD: b1 + 173 mm  
for models R2.5-R2.0HD: b1 + 93mm
- (15) With PAL side line h6 + 135mm, With Double Work Light to Front h6 + 220mm

Specification data is based on VDI 2198.

**CE UK CA Safety:** This truck conforms to the current EU and ANSI requirements.

- (16) For model R1.4 with h3 <= 5500 mm and battery 420 Ah and Operator Shield Transparent (Lexan) / Wire Mesh Screen: l2 + 72mm, x - 72mm, Ast 4.34.1 = 2770mm, Ast 4.34.2 = 2829mm
- (17) For model R1.6 with h3 <= 5500 mm and battery 420 Ah and Operator Shield Transparent (Lexan) / Wire Mesh Screen : l2 + 72mm, x - 72mm, Ast 4.34.1 = 2781mm, Ast 4.34.2 = 2830mm
- (18) Gradeability grades based on motor thermal capacity, torque available and brake requirements
- (19) Available traction motor 4kW for Russian market
- (20) 9,5 / 9,5 with traction motor 4kw

**NOTICE:**  
Care must be exercised when handling elevated loads. Operators must be trained and must read, understand and follow the instructions contained in the Operating Manual.  
All values are nominal values and they are subject to tolerances. For further information, please contact the manufacturer.  
Hyster products are subject to change without notice. Lift trucks illustrated may feature optional equipment. Values may vary with alternative configurations.  
CERTIFICATION: Hyster lift trucks meet the design and construction requirements of B56.1-1969, per OSHA Section 1910.178(a)(2), and also comply with the B56.1 revision in effect at time of manufacture. Certification of compliance with the applicable ANSI standards appears on the lift truck. Performance specifications are for a truck equipped as described under Standard Equipment on this Technical Guide. Performance specifications are affected by the condition of the vehicle and how it is equipped, as well as by the nature, condition of the operating area, proper service and maintenance of the vehicle. If these specifications are critical, the proposed application should be discussed with your dealer.

NOTE: Specifications, unless otherwise listed, are for a standard truck without optional equipment.

**CE UK CA Safety:** This truck conforms to the current EU and ANSI requirements.



**R1.4, R1.6 & R1.6N - Standard Mast - 3 stage full free lift (1,400kg / 1,600kg)**

Manufacturer's type designation	Lift h3 mm	Free lift h2 mm	Height, mast lowered h1 mm	Height, mast extended (1) h4 mm	Weight (2) (3) kg			
R1.4	R1.6N	5000	1648	2195	5563	911		
		5250	1734	2281	5813	936		
		5500	1820	2367	6063	961		
		5750	1906	2453	6313	986		
		6000	1992	2539	6563	1010		
		6250	2078	2625	6813	1035		
		6500	2164	2711	7063	1060		
		6750	2250	2797	7313	1090		
		7000	2336	2883	7563	1115		
		7250	2422	2969	7813	1140		
		7500	2508	3055	8063	1164		
		7750	2594	3141	8313	1220		
		R1.6	R1.6N	8000	2680	3227	8563	1244
				8250	2766	3313	8813	1269
8500	2852			3399	9063	1299		
8750	2938			3485	9313	1324		
9000	3024			3571	9563	1349		
9250	3110			3657	9813	1376		
9500	3196			3753	10063	1407		
9750	3282			3839	10313	1431		
10000	3368			3925	10563	1460		
10250	3454			4011	10813	1485		
10500	3540	4097	11063	1509				
10750	3626	4183	11313	1534				

(1) With load backrest 1000mm height, h4 + 508mm; with load backrest 1500mm height, h4 + 1008 mm

**R2.0 & R2.5 - Standard Mast - 3 stage full free lift (2,000kg / 2,500kg)**

Manufacturer's type designation	Lift h3 mm	Free lift h2 mm	Height, mast lowered h1 mm	Height, mast extended (1) h4 mm	Weight (2) (3) kg	
R2.0	R2.5	4650	1582	2195	5263	958
		4900	1668	2281	5513	985
		5150	1754	2367	5763	1012
		5400	1840	2453	6013	1038
		5650	1926	2539	6263	1065
		5900	2012	2625	6513	1092
		6150	2098	2711	6763	1118
		6400	2184	2797	7013	1150
		6650	2270	2883	7263	1177
		6900	2356	2969	7513	1204
		7150	2442	3055	7763	1230
		7400	2528	3141	8013	1288
		7650	2614	3227	8263	1314
		R2.5	R2.5	7900	2700	3313
8150	2786			3399	8763	1373
8400	2873			3485	9013	1402
8650	2959			3571	9263	1431
8900	3045			3657	9513	1461
9150	3131			3753	9763	1490
9400	3217			3839	10013	1520
9650	3303			3925	10263	1549
9900	3389			4011	10513	1579
10150	3475			4097	10763	1608
10400	3561	4183	11013	1638		

(1) With load backrest 1000mm height, h4 + 443mm; with load backrest 1500mm height, h4 + 943mm

**R1.6HD - Heavy Duty Mast - 3 stage full free lift (1,600kg)**

Manufacturer's type designation	Lift h3 mm	Free lift h2 mm	Height, mast lowered h1 mm	Height, mast extended (1) h4 mm	Weight (2) (3) kg	
R1.6HD	R1.6HD	7900	2680	3227	8463	1376
		8150	2766	3313	8713	1404
		8400	2852	3399	8963	1438
		8650	2938	3485	9213	1467
		8900	3024	3571	9463	1495
		9150	3110	3657	9713	1523
		9400	3196	3753	9963	1558
		9650	3282	3839	10213	1586
		9900	3368	3925	10463	1649
		10150	3454	4011	10713	1677
		10400	3540	4097	10963	1706
		10650	3626	4183	11213	1734
		10900	3712	4269	11463	1763
		11150	3798	4355	11713	1791
11400	3884	4441	11963	1819		

(1) With load backrest 1000mm height, h4 + 508mm; with load backrest 1500mm height, h4 + 1008mm  
 (2) All weights are: mast structures (weldment, cylinders, chain, pulley) + carriage + oil. EXCLUDED: forks, accessories.  
 (3) With load backrest 700mm width, 1000mm height, weight + 13 kg; with load backrest 700mm width, 1500mm height, weight + 21kg

All values are nominal values and they are subject to tolerances. For further information, please contact the manufacturer.  
 Hyster products may be subject to change without notice. Lift trucks illustrated may feature optional equipment. Values may vary with alternative configurations.

R2.0HD - Heavy Duty Mast - 3 stage full free lift (2,000kg)

Manufacturer's type designation	Lift h3 mm	Free lift h2 mm	Height, mast lowered h1 mm	Height, mast extended (1) h4 mm	Weight (2) (3) kg
R2.0HD	7750	2614	3227	8363	1402
	8000	2700	3313	8613	1431
	8250	2786	3399	8863	1465
	8500	2872	3485	9113	1494
	8750	2958	3571	9363	1523
	9000	3044	3657	9613	1552
	9250	3130	3753	9863	1587
	9500	3216	3839	10113	1615
	9750	3302	3925	10363	1678
	10000	3388	4011	10613	1707
	10250	3474	4097	10863	1736
	10500	3560	4183	11113	1765
	10750	3646	4269	11363	1793
	11000	3732	4355	11613	1822
	11250	3818	4441	11863	1851
	11500	3904	4527	12113	1880
	11750	3990	4613	12363	1908
	12000	4076	4699	12613	1937
	12250	4162	4785	12863	1966
	12500	4248	4871	13113	1995
12750	4334	4957	13373	2024	
13000	4420	5043	13613	2051	
13250	4506	5129	13863	2080	
13500	4592	5215	14113	2109	
13750	4678	5301	14363	2138	
14000	4764	5387	14613	2167	

(1) With load backrest 1000mm height, h4 + 443mm; with load backrest 1500mm height, h4 + 943mm

R1.4, R1.6, R1.6N - Standard Mast - 4 stage full free lift (1,400kg / 1,600kg)

Manufacturer's type designation	Lift h3 mm	Free lift h2 mm	Height, mast lowered h1 mm	Height, mast extended (1) h4 mm	Weight (2) (3) kg	
R1.4	6650	1700	2280	7230	1014	
	7050	1800	2380	7630	1046	
	7450	1900	2480	8030	1078	
	7850	2000	2580	8430	1110	
	8050	2050	2630	8630	1126	
R1.6	8300	2150	2730	8880	1158	
	8500	2200	2780	9080	1207	
	8700	2250	2830	9280	1223	
	9150	2400	2980	9730	1271	
	9400	2500	3080	9980	1303	
	9850	2650	3230	10430	1351	
	10050	2700	3280	10630	1367	
	R1.6N	6650	1700	2280	7230	1014
		7050	1800	2380	7630	1046
		7450	1900	2480	8030	1078
7850		2000	2580	8430	1110	
8050		2050	2630	8630	1126	

(1) With load backrest 1000mm height, h4 + 508mm; with load backrest 1500mm height, h4 + 1008mm

R2.0, R2.5, R2.0HD - Standard Mast - 4 stage full free lift (2,000 / 2,500kg)

Manufacturer's type designation	Lift (h3) mm	Free lift (h2) mm	Height, mast lowered h1 mm	Height, mast extended (1) h4 mm	Weight (2) (3) kg
R2.0	7050	1800	2380	7630	1295
	7450	1900	2480	8030	1335
	7850	2000	2580	8430	1375
R2.5	8050	2050	2630	8630	1395
	8300	2150	2730	8880	1435
	8500	2200	2780	9080	1490
	8700	2250	2830	9280	1510
	9150	2400	2980	9730	1570
	9400	2500	3080	9980	1610
	9850	2650	3230	10430	1670
	10050	2700	3280	10630	1690
	10300	2800	3380	10880	1730
	10500	2850	3430	11080	1750
R2.0HD	10750	2950	3530	11330	1790
	11000	3050	3630	11580	1830
	11400	3150	3730	11980	1870

(1) With load backrest 1000mm height, h4 + 508mm; with load backrest 1500 mm height, h4 + 1008mm

(2) All weights are: mast structures (weldment, cylinders, chain, pulley) + carriage + oil. EXCLUDED: forks, accessories.

(3) With load backrest 700mm width, 1000mm height, weight + 13 kg; with load backrest 700mm width, 1500mm height, weight + 21kg

All values are nominal values and they are subject to tolerances. For further information, please contact the manufacturer. Hyster products may be subject to change without notice. Lift trucks illustrated may feature optional equipment. Values may vary with alternative configurations.

R1.4	1-2	Manufacturer's type designation	R1.4						
	4-34-1	Aisle width for pallets 1000mm x 1200mm crossways	Ast (mm)	2757	2811	2757	2811	2867	2867
	4-34-2	Aisle width for pallets 800mm x 1200mm lengthwise	Ast (mm)	2812	2877	2812	2877	2944	2944
	6-3	Battery according to DIN 43531/35/36 A,B,C, no		C	C	C "Super"	C "Super"	C	C "Super"
	6-4	Battery voltage/nominal capacity K5	(V)/(Ah)	48/420	48/560	48/465	48/620	48/700	48/775
6-5	Battery weight (4)	kg	750	939	750	950	1119	1165	

R1.6	1-2	Manufacturer's type designation	R1.6						
	4-34-1	Aisle width for pallets 1000mm x 1200mm crossways	Ast (mm)	2768	2820	2768	2820	2875	2875
	4-34-2	Aisle width for pallets 800mm x 1200mm lengthwise	Ast (mm)	2814	2879	2814	2879	2945	2945
	6-3	Battery according to DIN 43531/35/36 A,B,C, no		C	C	C "Super"	C "Super"	C	C "Super"
	6-4	Battery voltage/nominal capacity K5	(V)/(Ah)	48/420	48/560	48/465	48/620	48/700	48/775
6-5	Battery weight (4)	kg	750	939	750	950	1119	1165	

R1.6N	1-2	Manufacturer's type designation	R1.6N						
	4-34-1	Aisle width for pallets 1000mm x 1200mm crossways	Ast (mm)	2801	2869	2801	2869	2941	2942
	4-34-2	Aisle width for pallets 800mm x 1200mm lengthwise	Ast (mm)	2859	2941	2859	2941	3025	3025
	6-3	Battery according to DIN 43531/35/36 A,B,C, no		B	B	B "Super"	B "Super"	B	B "Super"
	6-4	Battery voltage/nominal capacity K5	(V)/(Ah)	48/420	48/560	48/465	48/620	48/700	48/775
6-5	Battery weight (4)	kg	746	937	750	945	1119	1135	

R2.0	1-2	Manufacturer's type designation	R2.0				
	4-34-1	Aisle width for pallets 1000mm x 1200mm crossways	Ast (mm)	2884	2884	2940	2940
	4-34-2	Aisle width for pallets 800mm x 1200mm lengthwise	Ast (mm)	2946	2946	3012	3012
	6-3	Battery according to DIN 43531/35/36 A,B,C, no		C	C "Super"	C	C "Super"
	6-4	Battery voltage/nominal capacity K5	(V)/(Ah)	48/560	48/620	48/700	48/775
6-5	Battery weight (4)	kg	939	950	1119	1165	

R2.5	1-2	Manufacturer's type designation	R2.5				
	4-34-1	Aisle width for pallets 1000mm x 1200mm crossways	Ast (mm)	2974	2974	3027	3027
	4-34-2	Aisle width for pallets 800mm x 1200mm lengthwise	Ast (mm)	3024	3024	3089	3089
	6-3	Battery according to DIN 43531/35/36 A,B,C, no		C	C "Super"	C	C "Super"
	6-4	Battery voltage/nominal capacity K5	(V)/(Ah)	48/700	48/775	48/840	48/930
6-5	Battery weight (4)	kg	1119	1165	1306	1368	

R2.0HD	1-2	Manufacturer's type designation	R2.0HD				
	4-34-1	Aisle width for pallets 1000mm x 1200mm crossways	Ast (mm)	2944	2944	3001	3001
	4-34-2	Aisle width for pallets 800mm x 1200mm lengthwise	Ast (mm)	3017	3017	3084	3084
	6-3	Battery according to DIN 43531/35/36 A,B,C, no		C	C "Super"	C	C "Super"
	6-4	Battery voltage/nominal capacity K5	(V)/(Ah)	48/700	48/775	48/840	48/930
6-5	Battery weight (4)	kg	1119	1165	1306	1368	

(4) These values may vary of +/- 5%.

# BATTERY INFORMATION - R1.4, R1.6, R1.6N

# BATTERY INFORMATION - R2.0, R2.5, R1.6HD, R2.0HD

1-2		R1.4																	
1-2	Manufacturer's type designation																		
1-8	Load distance, centre of drive axle to fork	x (mm)	402	402	402	330	330	330	330	258	258	258	258	258					
1-9	Wheelbase	y (mm)	1400	1400	1400	1400	1400	1400	1400	1400	1400	1400	1400	1400					
2-1	Service weight	kg	3112	3112	-	3309	3320	-	-	3495	3541	-	-	-					
2-3	Axle loading, unladen front/rear (4)	kg	1977/1135	1977/1135	-	2025/1285	2032/1289	-	-	2055/1440	2084/1457	-	-	-					
2-4	Axle loading fork advanced, laden front/rear	kg	682/3830	682/3830	-	792/3917	800/3921	-	-	885/4010	914/4027	-	-	-					
2-5	Axle loading fork retracted, laden front/rear	kg	1778/2735	1778/2735	-	1753/2956	1760/2960	-	-	1711/3184	1741/3201	-	-	-					
4-19	Overall length	l <sub>1</sub> (mm)	2379	2379	2379	2451	2451	2451	2451	2523	2523	2523	2523	2595					
4-20	Length to face of forks	l <sub>2</sub> (mm)	1229	1229	1229	1301	1301	1301	1301	1373	1373	1373	1373	1445					
4-28	Reach distance	l <sub>r</sub> (mm)	585	585	585	513	513	513	513	441	441	441	441	441					
4-34-1	Aisle width for pallets 1000mm x 1200mm crossways (2)	A <sub>st</sub> (mm)	2718	2718	2718	2771	2771	2771	2771	2828	2828	2828	2828	2828					
4-34-2	Aisle width for pallets 800mm x 1200mm lengthwise (2)	A <sub>st</sub> (mm)	2764	2764	2764	2829	2829	2829	2829	2895	2895	2895	2895	2895					
4-35	Turning radius	W <sub>s</sub> (mm)	1671	1671	1671	1671	1671	1671	1671	1671	1671	1671	1671	1671					
6-3	Battery according to DIN 43531/35/36 A,B,C, no		C	C "Super"	no	C	C "Super"	no	no	C	C "Super"	no	no	no					
6-4	Battery voltage/nominal capacity K5	(V)/(Ah)	48/420	48/465	48/288 <sup>(3)</sup>	48/560	48/620	48/432 <sup>(3)</sup>	48/540 <sup>(3)</sup>	48/700	48/775	48/540 <sup>(3)</sup>	48/576 <sup>(3)</sup>	48/720 <sup>(3)</sup>					
6-5	Battery weight (1)	kg	750	750	750	939	950	939	936	1119	1165	1107	1119	1107					

1-2		R1.6																	
1-2	Manufacturer's type designation																		
1-8	Load distance, centre of drive axle to fork	x (mm)	452	452	452	380	380	380	380	308	308	308	308	308					
1-9	Wheelbase	y (mm)	1450	1450	1450	1450	1450	1450	1450	1450	1450	1450	1450	1450					
2-1	Service weight	kg	3162	3162	-	3360	3371	-	-	3546	3592	-	-	-					
2-3	Axle loading, unladen front/rear (4)	kg	2018/1144	2018/1144	-	2069/1291	2077/1294	-	-	2103/1443	2133/1459	-	-	-					
2-4	Axle loading fork advanced, laden front/rear	kg	601/4162	601/4162	-	714/4246	721/4250	-	-	810/4336	839/4352	-	-	-					
2-5	Axle loading fork retracted, laden front/rear	kg	1853/2908	1853/2909	-	1825/3135	1832/3139	-	-	1779/3367	1809/3383	-	-	-					
4-19	Overall length	l <sub>1</sub> (mm)	2379	2379	2379	2451	2451	2451	2451	2523	2523	2523	2523	2523					
4-20	Length to face of forks	l <sub>2</sub> (mm)	1229	1229	1229	1301	1301	1301	1301	1373	1373	1373	1373	1373					
4-28	Reach distance	l <sub>r</sub> (mm)	635	635	635	563	563	563	563	491	491	491	491	491					
4-34-1	Aisle width for pallets 1000mm x 1200mm crossways (2)	A <sub>st</sub> (mm)	2731	2731	2731	2781	2781	2781	2781	2834	2834	2834	2834	2834					
4-34-2	Aisle width for pallets 800mm x 1200mm lengthwise (2)	A <sub>st</sub> (mm)	2767	2767	2767	2830	2830	2830	2830	2896	2896	2896	2896	2896					
4-35	Turning radius	W <sub>s</sub> (mm)	1718	1718	1718	1718	1718	1718	1718	1718	1718	1718	1718	1718					
6-3	Battery according to DIN 43531/35/36 A,B,C, no		C	C "Super"	no	C	C "Super"	no	no	C	C "Super"	no	no	no					
6-4	Battery voltage/nominal capacity K5	(V)/(Ah)	48/420	48/465	48/288 <sup>(3)</sup>	48/560	48/620	48/432 <sup>(3)</sup>	48/540 <sup>(3)</sup>	48/700	48/775	48/540 <sup>(3)</sup>	48/576 <sup>(3)</sup>	48/720 <sup>(3)</sup>					
6-5	Battery weight (1)	kg	750	750	750	939	950	939	936	1119	1165	1107	1119	1107					

1-2		R1.6N																	
1-2	Manufacturer's type designation																		
1-8	Load distance, centre of drive axle to fork	x (mm)	382	382	382	292	292	292	292	202	202	202	202	202					
1-9	Wheelbase	y (mm)	1450	1450	1450	1450	1450	1450	1450	1450	1450	1450	1450	1450					
2-1	Service weight	kg	3111	3115	-	3309	3317	-	-	3498	3514	-	-	-					
2-3	Axle loading, unladen front/rear (4)	kg	1922/1189	1924/1191	-	1947/1362	1952/1365	-	-	1955/1543	1965/1549	-	-	-					
2-4	Axle loading fork advanced, laden front/rear	kg	569/4142	572/4143	-	672/4237	677/4240	-	-	757/4341	766/4347	-	-	-					
2-5	Axle loading fork retracted, laden front/rear	kg	1680/3032	1682/3033	-	1606/3303	1611/3306	-	-	1514/3584	1524/3590	-	-	-					
4-19	Overall length	l <sub>1</sub> (mm)	2449	2449	2449	2539	2539	2539	2539	2629	2629	2629	2629	2629					
4-20	Length to face of forks	l <sub>2</sub> (mm)	1299	1299	1299	1389	1389	1389	1389	1479	1479	1479	1479	1479					
4-28	Reach distance	l <sub>r</sub> (mm)	565	565	565	475	475	475	475	385	385	385	385	385					
4-34-1	Aisle width for pallets 1000mm x 1200mm crossways (2)	A <sub>st</sub> (mm)	2762	2762	2762	2828	2828	2828	2828	2898	2898	2898	2898	2898					
4-34-2	Aisle width for pallets 800mm x 1200mm lengthwise (2)	A <sub>st</sub> (mm)	2811	2811	2811	2893	2893	2893	2893	2976	2976	2976	2976	2976					
4-35	Turning radius	W <sub>s</sub> (mm)	1700	1700	1700	1700	1700	1700	1700	1700	1700	1700	1700	1700					
6-3	Battery according to DIN 43531/35/36 A,B,C, no		B	B "Super"	no	B	B "Super"	no	no	B	B "Super"	no	no	no					
6-4	Battery voltage/nominal capacity K5	(V)/(Ah)	48/420	48/465	48/288 <sup>(3)</sup>	48/560	48/620	48/360 <sup>(3)</sup>	48/432 <sup>(3)</sup>	48/700	48/775	48/540 <sup>(3)</sup>	48/576 <sup>(3)</sup>	48/720 <sup>(3)</sup>					
6-5	Battery weight (1)	kg	746	750	746	937	945	937	937	1119	1135	1119	1135	1135					

(1) These values may vary of +/- 5%.  
 (2) For Ast with mast 4 stg, see "Mast table 4stg 14-16" and "Mast table 4stg 20-25"  
 (3) Li-Ion battery  
 (4) Forks retracted.  
 All weights (2.1 to 2.5) are with lowest mast and standard forks.  
 All values are nominal values and they are subject to tolerances.  
 For further information, please contact the manufacturer.  
 Hyster products might be subject to change without notice.  
 Lift trucks illustrated may feature optional equipment.  
 Values may vary with alternative configurations.

1-2		R2.0N																	
1-2	Manufacturer's type designation																		
1-8	Load distance, centre of drive axle to fork	x (mm)	415	415	415	415	415	415	415	343	343	343	343	343					
1-9	Wheelbase	y (mm)	1500	1500	1500	1500	1500	1500	1500	1500	1500	1500	1500	1500					
2-1	Service weight	kg	3615	3626	-	-	-	-	-	3801	3847	-	-	-					
2-3	Axle loading, unladen front/rear (4)	kg	2261/1354	2268/1358	-	-	-	-	-	2296/1504	2326/1520	-	-	-					
2-4	Axle loading fork advanced, laden front/rear	kg	671/4943	679/4947	-	-	-	-	-	770/5030	801/5046	-	-	-					
2-5	Axle loading fork retracted, laden front/rear	kg	2032/3583	2039/3586	-	-	-	-	-	1971/3829	2002/3845	-	-	-					
4-19	Overall length	l <sub>1</sub> (mm)	2451	2451	2451	2451	2451	2451	2451	2523	2523	2523	2523	2523					
4-20	Length to face of forks	l <sub>2</sub> (mm)	1316	1316	1316	1316	1316	1316	1316	1388	1388	1388	1388	1388					
4-28	Reach distance	l <sub>r</sub> (mm)	613	613	613	613	613	613	613	541	541	541	541	541					
4-34-1	Aisle width for pallets 1000mm x 1200mm crossways (2)	A <sub>st</sub> (mm)	2805	2805	2805	2805	2805	2805	2805	2857	2857	2857	2857	2857					
4-34-2	Aisle width for pallets 800mm x 1200mm lengthwise (2)	A <sub>st</sub> (mm)	2848	2848	2848	2848	2848	2848	2848	2913	2912	2912	2912	2912					
4-35	Turning radius	W <sub>s</sub> (mm)	1767	1767	1767	1767	1767	1767	1767	1767	1767	1767	1767	1767					
6-3	Battery according to DIN 43531/35/36 A,B,C, no		C	C "Super"	no	no	no	no	no	C	C "Super"	no	no	no					
6-4	Battery voltage/nominal capacity K5	(V)/(Ah)	48/560	48/620	48/432 <sup>(3)</sup>	48/540 <sup>(3)</sup>	48/700	48/775	48/540 <sup>(3)</sup>	48/700	48/775	48/540 <sup>(3)</sup>	48/576 <sup>(3)</sup>	48/720 <sup>(3)</sup>					
6-5	Battery weight (1)	kg	939	950	936	936	1119	1165	1107	1119	1165	1107	1119	1107					

1-2		R2.5																	
1-2	Manufacturer's type designation																		
1-8	Load distance, centre of drive axle to fork	x (mm)	508	508	508	508	508	508	508	436	436	436	436	436					
1-9	Wheelbase	y (mm)	1670	1670	1670	1670	1670	1670	1670	1670	1670	1670	1670	1670					
2-1	Service weight	kg	4038	4084	-	-	-	-	-	4230	4292	-	-	-					
2-3	Axle loading, unladen front/rear (4)	kg	2520/1518	2552/1532	-	-	-	-	-	2565/1665	2606/1686	-	-	-					
2-4	Axle loading fork advanced, laden front/rear	kg	773/5765	804/5780	-	-	-	-	-	876/5855	917/5875	-	-	-					
2-5	Axle loading fork retracted, laden front/rear	kg	2371/4167	2402/4182	-	-	-	-	-	2306/4424	2348/4444	-	-	-					
4-19	Overall length	l <sub>1</sub> (mm)	2528	2528	2528	2528	2528	2528	2528	2600	2600	2600	2600	2600					
4-20	Length to face of forks	l <sub>2</sub> (mm)	1393	1393	1393	1393	1393	1393	1393	1465	1465	1465	1465	1465					
4-28	Reach distance	l <sub>r</sub> (mm)	738	738	738	738	738	738	738	666	666	666	666	666					
4-34-1	Aisle width for pallets 1000mm x 1200mm crossways (2)	A <sub>st</sub> (mm)	2906	2906	2906	2906	2906	2906	2906	2953	2953	2953	2953	2953					
4-34-2	Aisle width for pallets 800mm x 1200mm lengthwise (2)	A <sub>st</sub> (mm)	2929	2929	2929	2929	2929	2929	2929	2992	2992	2992	2992	2992					
4-35	Turning radius	W <sub>s</sub> (mm)	1930	1930	1930	1930	1930	1930	1930	1930	1930	1930	1930	1930					
6-3	Battery according to DIN 43531/35/36 A,B,C, no		C	C "Super"	no	no	no	no	no	C	C "Super"	no	no	no					
6-4	Battery voltage/nominal capacity K5	(V)/(Ah)	48/700	48/775	48/540 <sup>(3)</sup>	48/576 <sup>(3)</sup>	48/720 <sup>(3)</sup>	48/775	48/720 <sup>(3)</sup>	48/840	48/930	48/720 <sup>(3)</sup>	48/720 <sup>(3)</sup>	48/720 <sup>(3)</sup>					
6-5	Battery weight (1)	kg	1119	1165	1107	1119	1107	1107	1107	1306	1368	1255	1255	1255					

## BATTERY INFORMATION - WIDE - R1.6, R2.0, R1.6HD

		R1.6												
1-2	Manufacturer's type designation													
1-8	Load distance, centre of drive axle to fork	x (mm)	452	452	452	380	380	380	380	308	308	308	308	308
1-9	Wheelbase	y (mm)	1450											
2-1	Service weight	kg	3214	3214	3214	3409	3409	-	-	3571	3571	-	-	-
2-3	Axle loading, unladen front/rear (4)	kg	2062/1172	2062/1172	2062/1172	2096/1313	2096/1313	-	-	2093/1478	2093/1478	-	-	-
2-4	Axle loading fork advanced, laden front/rear	kg	592/4242	592/4242	592/4242	690/4319	690/4319	-	-	728/4444	728/4444	-	-	-
2-5	Axle loading fork retracted, laden front/rear	kg	1862/2973	1862/2973	1862/2973	1816/3193	1816/3193	-	-	1710/3462	1710/3462	-	-	-
4-19	Overall length	l <sub>1</sub> (mm)	2379	2379	2379	2451	2451	2451	2523	2523	2523	2523	2523	2523
4-20	Length to face of forks	l <sub>2</sub> (mm)	1229	1229	1229	1301	1301	1301	1373	1373	1373	1373	1373	1373
4-21	Overall width (5)	b <sub>1</sub> /b <sub>2</sub> (mm)	1465											
4-23	Fork carriage ISO 2328, class/type A, B		2A											
4-24	Fork-carriage width	b <sub>3</sub> (mm)	900											
4-25	Distance between fork-arms MIN/MAX (2)	b <sub>5</sub> (mm)	260/884											
4-26	Distance between wheel arms/loading surfaces	b <sub>4</sub> (mm)	1095											
4-28	Reach distance	l <sub>4</sub> (mm)	635	635	635	563	563	563	563	491	491	491	491	491
4-34-1	Aisle width for pallets 1000mm x 1200mm crossways	A <sub>u</sub> (mm)	2731	2731	2731	2781	2781	2781	2834	2834	2834	2834	2834	2834
4-34-2	Aisle width for pallets 800mm x 1200mm lengthwise	A <sub>u</sub> (mm)	2766	2766	2766	2830	2830	2830	2830	2896	2896	2896	2896	2896
4-35	Turning radius	W <sub>s</sub> (mm)	1720											
6-3	Battery according to DIN 43531/35/36 A,B,C, no		C	C "Super"	no	C	C "Super"	no	no	C	C "Super"	no	no	no
6-4	Battery voltage/nominal capacity K5	(V)/(Ah)	48/420	48/465	48/288 <sup>(3)</sup>	48/560	48/620	48/432 <sup>(3)</sup>	48/540 <sup>(3)</sup>	48/700	48/775	48/540 <sup>(3)</sup>	48/576 <sup>(3)</sup>	48/720 <sup>(3)</sup>
6-5	Battery weight (1)	kg	750	750	750	939	950	939	936	1119	1165	1107	1119	1107

		R2.0												
1-2	Manufacturer's type designation													
1-8	Load distance, centre of drive axle to fork	x (mm)	415	415	415	415	343	343	343	343	343	343	343	343
1-9	Wheelbase	y (mm)	1500											
2-1	Service weight	kg	3715	3715	-	-	3878	3878	-	-	-	-	-	-
2-3	Axle loading, unladen front/rear (4)	kg	2329/1386	2329/1386	-	-	2327/1551	2327/1551	-	-	-	-	-	-
2-4	Axle loading fork advanced, laden front/rear	kg	672/5043	672/5043	-	-	707/5171	707/5171	-	-	-	-	-	-
2-5	Axle loading fork retracted, laden front/rear	kg	2054/3661	2054/3661	-	-	1927/3951	1927/3951	-	-	-	-	-	-
4-19	Overall length	l <sub>1</sub> (mm)	2451	2451	2451	2451	2523	2523	2523	2523	2523	2523	2523	2523
4-20	Length to face of forks	l <sub>2</sub> (mm)	1316	1316	1316	1316	1388	1388	1388	1388	1388	1388	1388	1388
4-21	Overall width (5)	b <sub>1</sub> /b <sub>2</sub> (mm)	1465											
4-23	Fork carriage ISO 2328, class/type A, B		2A											
4-24	Fork-carriage width	b <sub>3</sub> (mm)	900											
4-25	Distance between fork-arms MIN/MAX (2)	b <sub>5</sub> (mm)	260/884											
4-26	Distance between wheel arms/loading surfaces	b <sub>4</sub> (mm)	1095											
4-28	Reach distance	l <sub>4</sub> (mm)	613	613	613	613	541	541	541	541	541	541	541	541
4-34-1	Aisle width for pallets 1000mm x 1200mm crossways	A <sub>u</sub> (mm)	2806	2806	2806	2806	2858	2858	2858	2858	2858	2858	2858	2858
4-34-2	Aisle width for pallets 800mm x 1200mm lengthwise	A <sub>u</sub> (mm)	2849	2849	2849	2849	2914	2914	2914	2914	2914	2914	2914	2914
4-35	Turning radius	W <sub>s</sub> (mm)	1768											
6-3	Battery according to DIN 43531/35/36 A,B,C, no		C	C "Super"	no	no	C	C "Super"	no	no	no	no	no	no
6-4	Battery voltage/nominal capacity K5	(V)/(Ah)	48/560	48/620	48/432 <sup>(3)</sup>	48/540 <sup>(3)</sup>	48/700	48/775	48/540 <sup>(3)</sup>	48/576 <sup>(3)</sup>	48/720 <sup>(3)</sup>	48/720 <sup>(3)</sup>	48/720 <sup>(3)</sup>	48/720 <sup>(3)</sup>
6-5	Battery weight (1)	kg	939	950	936	936	1119	1165	1107	1119	1165	1107	1119	1107

		R1.6HD												
1-2	Manufacturer's type designation													
1-8	Load distance, centre of drive axle to fork	x (mm)	308	308	308	308	293	293	293	293	293	293	293	293
1-9	Wheelbase	y (mm)	1450											
2-1	Service weight	kg	4141	4141	-	-	4304	4304	-	-	-	-	-	-
2-3	Axle loading, unladen front/rear (4)	kg	2502/1639	2502/1639	-	-	2468/1836	2468/1836	-	-	-	-	-	-
2-4	Axle loading fork advanced, laden front/rear	kg	1172/4568	1172/4568	-	-	929/4974	929/4974	-	-	-	-	-	-
2-5	Axle loading fork retracted, laden front/rear	kg	2215/3525	2215/3525	-	-	2077/3826	2077/3826	-	-	-	-	-	-
4-19	Overall length	l <sub>1</sub> (mm)	2523	2523	2523	2523	2523	2523	2523	2523	2523	2523	2523	2523
4-20	Length to face of forks	l <sub>2</sub> (mm)	1373	1373	1373	1373	1388	1388	1388	1388	1388	1388	1388	1388
4-21	Overall width (5)	b <sub>1</sub> /b <sub>2</sub> (mm)	1465											
4-23	Fork carriage ISO 2328, class/type A, B		2A											
4-24	Fork-carriage width	b <sub>3</sub> (mm)	900											
4-25	Distance between fork-arms MIN/MAX (2)	b <sub>5</sub> (mm)	260/884											
4-26	Distance between wheel arms/loading surfaces	b <sub>4</sub> (mm)	1095											
4-28	Reach distance	l <sub>4</sub> (mm)	491	491	491	491	491	491	491	491	491	491	491	491
4-34-1	Aisle width for pallets 1000mm x 1200mm crossways	A <sub>u</sub> (mm)	2834	2834	2834	2834	2845	2845	2845	2845	2845	2845	2845	2845
4-34-2	Aisle width for pallets 800mm x 1200mm lengthwise	A <sub>u</sub> (mm)	2896	2896	2896	2896	2909	2909	2909	2909	2909	2909	2909	2909
4-35	Turning radius	W <sub>s</sub> (mm)	1720											
6-3	Battery according to DIN 43531/35/36 A,B,C, no		C	C "Super"	no	no	C	C "Super"	no	no	no	no	no	no
6-4	Battery voltage/nominal capacity K5	(V)/(Ah)	48/560	48/620	48/432 <sup>(3)</sup>	48/540 <sup>(3)</sup>	48/700	48/775	48/540 <sup>(3)</sup>	48/576 <sup>(3)</sup>	48/720 <sup>(3)</sup>	48/720 <sup>(3)</sup>	48/720 <sup>(3)</sup>	48/720 <sup>(3)</sup>
6-5	Battery weight (1)	kg	939	950	936	936	1119	1165	1107	1119	1165	1107	1119	1107

- (1) These values may vary of +/- 5%
  - (2) Available Li-Ion battery 48V / 450Ah (895kg)
  - (3) Available Li-Ion battery 48V / 450Ah (1067/1068kg); Li-Ion battery 48V / 600Ah (1091kg)
  - (4) Forks retracted
  - (5) With load wheels lateral covers: 1489 mm (Wide), 1689 mm (Extra Wide)
- All weights (2.1 to 2.5) are with lowest mast and standard forks.

All values are nominal values and they are subject to tolerances.  
For further information, please contact the manufacturer.  
Hyster products might be subject to change without notice.  
Lift trucks illustrated may feature optional equipment.  
Values may vary with alternative configurations.

## BATTERY INFORMATION - EXTRA WIDE - R1.6, R2.0, R1.6HD

		R1.6												
1-2	Manufacturer's type designation													
1-8	Load distance, centre of drive axle to fork	x (mm)	452	452	452	380	380	380	380	308	308	308	308	308
1-9	Wheelbase	y (mm)	1450											
2-1	Service weight	kg	3331	3331	3331	3506	3506	-	-	3661	3661	-	-	-
2-3	Axle loading, unladen front/rear (4)	kg	2127/1204	2127/1204	2127/1204	2158/1348	2158/1348	-	-	2138/1523	2138/1523	-	-	-
2-4	Axle loading fork advanced, laden front/rear	kg	630/4301	630/4301	630/4301	728/4378	728/4378	-	-	740/4522	740/4522	-	-	-
2-5	Axle loading fork retracted, laden front/rear	kg	1920/3011	1920/3011	1920/3011	1872/3234	1872/3234	-	-	1738/3523	1738/3523	-	-	-
4-19	Overall length	l <sub>1</sub> (mm)	2379	2379	2379	2451	2451	2451	2451	2523	2523	2523	2523	2523
4-20	Length to face of forks	l <sub>2</sub> (mm)	1229	1229	1229	1301	1301	1301	1301	1373	1373	1373	1373	1373
4-21	Overall width (5)	b <sub>1</sub> /b <sub>2</sub> (mm)	1665											
4-23	Fork carriage ISO 2328, class/type A, B		2A											
4-24	Fork-carriage width	b <sub>3</sub> (mm)	1100											
4-25	Distance between fork-arms MIN/MAX (2)	b <sub>5</sub> (mm)	260/1078											
4-26	Distance between wheel arms/loading surfaces	b <sub>4</sub> (mm)	1295											
4-28	Reach distance	l <sub>4</sub> (mm)	635	635	635	563	563	563	563	491	491	491	491	491
4-34-1	Aisle width for pallets 1000mm x 1200mm crossways	A <sub>u</sub> (mm)	2780	2780	2780	2830	2830	2830	2830	2883	2883	2883	2883	2883
4-34-2	Aisle width for pallets 800mm x 1200mm lengthwise	A <sub>u</sub> (mm)	2815	2815	2815	2879	2879	2879	2879	2945	2945	2945	2945	2945
4-35	Turning radius	W <sub>s</sub> (mm)	1767											
6-3	Battery according to DIN 43531/35/36 A,B,C, no		C	C "Super"	no	C	C "Super"	no	no	C	C "Super"	no	no	no
6-4	Battery voltage/nominal capacity K5	(V)/(Ah)	48/420	48/465	48/288 <sup>(3)</sup>	48/560	48/620	48/432 <sup>(3)</sup>	48/540 <sup>(3)</sup>	48/700	48/775	48/540 <sup>(3)</sup>	48/576 <sup>(3)</sup>	48/720 <sup>(3)</sup>
6-5	Battery weight (1)	kg	750	750	750	939	950	939	936	1119	1165	1107	1119	1107

		R2.0												
1-2	Manufacturer's type designation													
1-8	Load distance, centre of drive axle to fork	x (mm)	415	415	415	415	343	343	343	343	343	343	343	343
1-9	Wheelbase	y (mm)	1500											
2-1	Service weight	kg	4041	4041	-	-	4195	4195	-	-	-	-	-	-
2-3	Axle loading, unladen front/rear (4)	kg	2573/1468	2573/1468	-	-	2553/1643	2553/1643	-	-	-	-	-	-
2-4	Axle loading fork advanced, laden front/rear	kg	890/5152	890/5152	-	-	895/5300	895/5300	-	-	-	-	-	-
2-5	Axle loading fork retracted, laden front/rear	kg	2293/3748	2293/3748	-	-	2134/4062	2134/4062	-	-	-	-	-	-
4-19	Overall length	l <sub>1</sub> (mm)	2451	2451	2451	2451	2523	2523	2523	2523	2523	2523	2523	2523
4-20	Length to face of forks	l <sub>2</sub> (mm)	1316	1316	1316	1316	1388	1388	1388	1388	1388	1388	1388	1388
4-21	Overall width (5)	b <sub>1</sub> /b <sub>2</sub> (mm)	1665											
4-23	Fork carriage ISO 2328, class/type A, B		2A											
4-24	Fork-carriage width	b <sub>3</sub> (mm)	1100											
4-25	Distance between fork-arms MIN/MAX (2)	b <sub>5</sub> (mm)	260/1078											
4-26	Distance between wheel arms/loading surfaces	b <sub>4</sub> (mm)	1295											
4-28	Reach distance	l <sub>4</sub> (mm)	613	613	613	613	541	541	541	541	541	541	541	541
4-34-1	Aisle width for pallets 1000mm x 1200mm crossways	A <sub>u</sub> (mm)	2850	2850	2850	2850	2902	2902	2902	2902	2902	2902	2902	2902
4-34-2	Aisle width for pallets 800mm x 1200mm lengthwise	A <sub>u</sub> (mm)	2893	2893	2893	2893	2958	2958	2958	2958	2958	2958	2958	2958
4-35	Turning radius	W <sub>s</sub> (mm)	1812											
6-3	Battery according to DIN 43531/35/36 A,B,C, no		C	C "Super"	no	no	C	C "Super"	no	no	no	no	no	no
6-4	Battery voltage/nominal capacity K5	(V)/(Ah)	48/560	48/620	48/432									



OPERATOR COMPARTMENT	R1.4/1.6	R1.6N	R2.0/2.5	R1.6HD	R2.0HD
Intermediate step	x	x	x	x	x
Grab handle on overhead guard post	x	x	x	x	x
Grab handle under armrest	x	x	x	x	x
TouchPoint™ mini levers mounted on adjustable length armrest	x	x	x	x	x
Joystick mounted on adjustable length armrest	o	o	o	o	o
Full suspension seat - 60 mm suspension travel cloth upholstery	x	x	x	x	x
Full suspension seat - 80 mm suspension travel cloth upholstery	o	o	o	o	o
Headrest (cloth version only)	o	o	o	o	o
Synchronised seat cushion and backrest movement (cloth version only)	o	o	o	o	o
Seat belt	o	o	o	o	o
Heated seat	o	o	o	o	o
Antistatic seat (cloth version only)	o	o	o	o	o
Vinyl seat upholstery	o	o	o	o	o
Standard display	x	x	x	x	x
Premium display with touch screen	o	o	o	o	o
Keyless access	o	o	o	o	o
Adjustable steering column	x	x	x	x	x
Automatic park brake	x	x	x	x	x
180° steering	x	x	x	x	x
360° steering	o	o	o	o	o
Driver select steering mode 180 / 360° (push button)	o	o	o	o	o
<b>TRAVEL PERFORMANCE</b>					
Travel speed 11 km/h	x	x	-	-	-
Travel speed 14 km/h with electric load wheel braking	o	o	x	x	x
Speed slow down mast reached forward	x	x	x	x	x
Speed slow down on cornering	x	x	x	x	x
Speed slow down over free lift	x	x	x	x	x
<b>LIFT PERFORMANCE / DRIVER ASSIST</b>					
3 stage mast / tilting carriage	x	x	x	-	-
3 stage HD mast / tilting carriage	-	-	-	x	x
4 stage mast / tilting carriage	o	o	o	-	o
Simultaneous lift / reach functionality	x	x	x	x	x
Simultaneous hydraulic functionality - 3 functions	o	o	o	o	o
Mast cushioning over free lift/main lift sections - fixed sensor mounting	x	x	x	x	-
Lift Comfort package (1)	o	o	o	x	x
Lift Performance package	o	o	-	x	x
Laser line fork positioning aid (above free lift)	o	o	o	o	o
Auto side shift centring	o	o	o	o	o
Auto fork levelling in the horizontal position	o	o	o	o	o
Height preselector (with / without pallet detection device)	o	o	o	o	o
Fork mounted camera / monitor	o	o	o	o	o
Weight indicator	o	o	o	o	o
<b>APPLICATION ENVIRONMENT</b>					
Hydraulic function	o	o	o	o	o
Universal support bracket	o	o	o	o	o
Beverage holder and document tray	o	o	o	o	o
A4 clipboard	o	o	o	o	o
Stretch film roll holder	o	o	o	o	o
Lift limit with override (1 x height setting)	o	o	o	o	o
Lift limit with override (2 x height settings)	o	o	o	o	o
Lower limit (with override option)	o	o	o	o	o
Flashing beacon	o	o	o	o	o
Work lights x 2 (mast side)	o	o	o	o	o
Work lights x 2 (drive side)	o	o	o	o	o
Polycarbonate (lexan) protection on overhead guard	o	o	o	o	o
Metal grid protection on overhead guard	o	o	o	o	o
Top / front load wheel protection	x	x	x	x	x
Side load wheel protection	o	o	o	o	o
High temperature environment	o	o	o	o	o
Side battery change - battery tray rollers	o	o	o	o	o
Side battery change table	o	o	o	o	o
Extension cable	o	o	o	o	o
Drive-in overhead guard (w900 x h1400 / w900 x h1700 mm)	o	o	o	o	o
Antistatic drive and load wheels	o	o	o	o	o
Wet surface drive and load wheels	o	o	o	o	o
Side guidance rollers	o	o	R2.0	o	o
DC / DC converter (choice of 12V / 48V, 24V / 48V, 12-24V / 48V options)	o	o	o	o	o
Audible alarm (choice of forks leading, forks trailing, both travel directions)	o	o	o	o	o
Load backrest (choice of heights 1000 / 1500 mm)	o	o	o	o	o
<b>CHASSIS WIDTH (MAX)</b>					
1265mm	x	-	R2.0	x	-
1125mm	-	x	-	-	-
1273mm	-	-	-	-	x
1345mm	-	-	R2.5	-	-
<b>BATTERY SIZES (2)</b>					
420-465 Ah	o	o	-	-	-
560-620 Ah	o	o	o R2.0	o	-
700-775 Ah	o	o	o	o	o
840-930 Ah	-	-	o R2.5	-	o

(1) Includes:  
 - End of stroke slow down on lift  
 - Soft stop on lowering  
 - Height controlled mast cushioning over Free Lift/Main lift mast section  
 - Height indicator

(2) 33 DIN C battery on R1.4 / R1.6 / R2.0 / R2.5 / R1.6HD / R2.0HD DIN B battery on R1.6N


x Standard  
 o Optional  
 - Not available





**HYSTER EUROPE**  
Centennial House, Building 4.5, Frimley Business Park,  
Frimley, Surrey, GU16 7SG, United Kingdom

Visit us online at [www.hyster.com](http://www.hyster.com) or call us at **+44 (0) 1276 538500**.

HYSTER-YALE UK LIMITED trading as Hyster Europe.  
Registered Address: Centennial House, Building 4.5, Frimley Business Park, Frimley, Surrey GU16 7SG, United Kingdom.  
Registered in England and Wales. Company Registration Number: 02636775.  
© HYSTER-YALE UK LIMITED. 2022, all rights reserved. Hyster and  are trademarks of Hyster-Yale Group, Inc.  
Hyster products are subject to change without notice. Trucks may be shown with optional equipment.



Safety: This truck conforms to the current EU requirements