

# H8-9XD EC6-8 / H9-11XD ECD7-9 SERIES

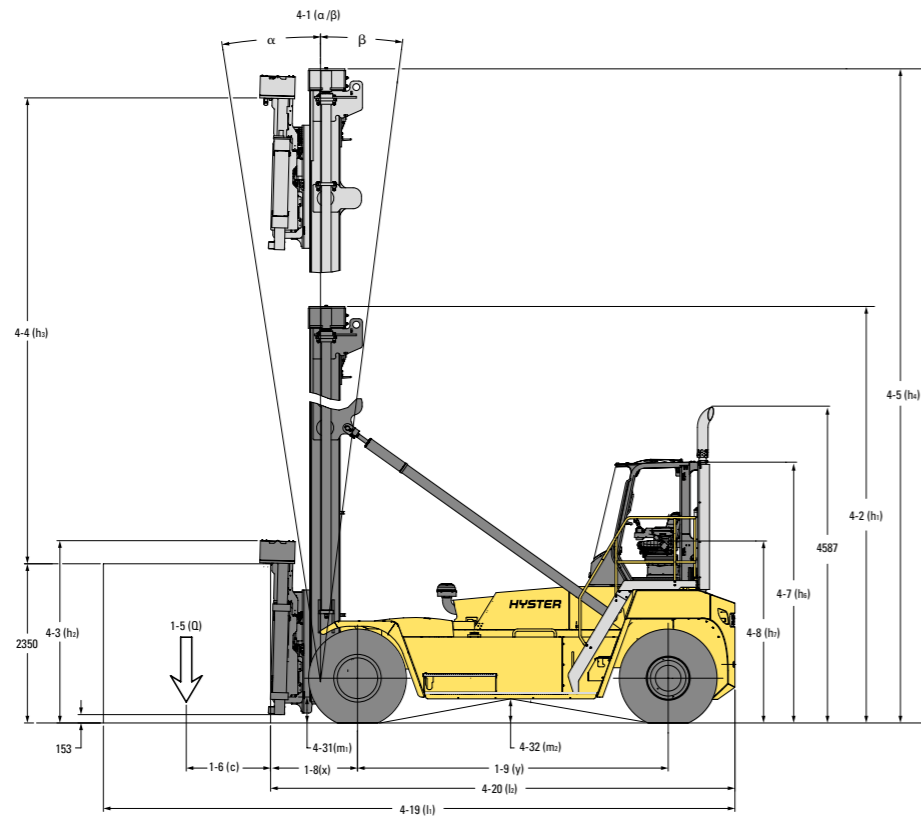
---



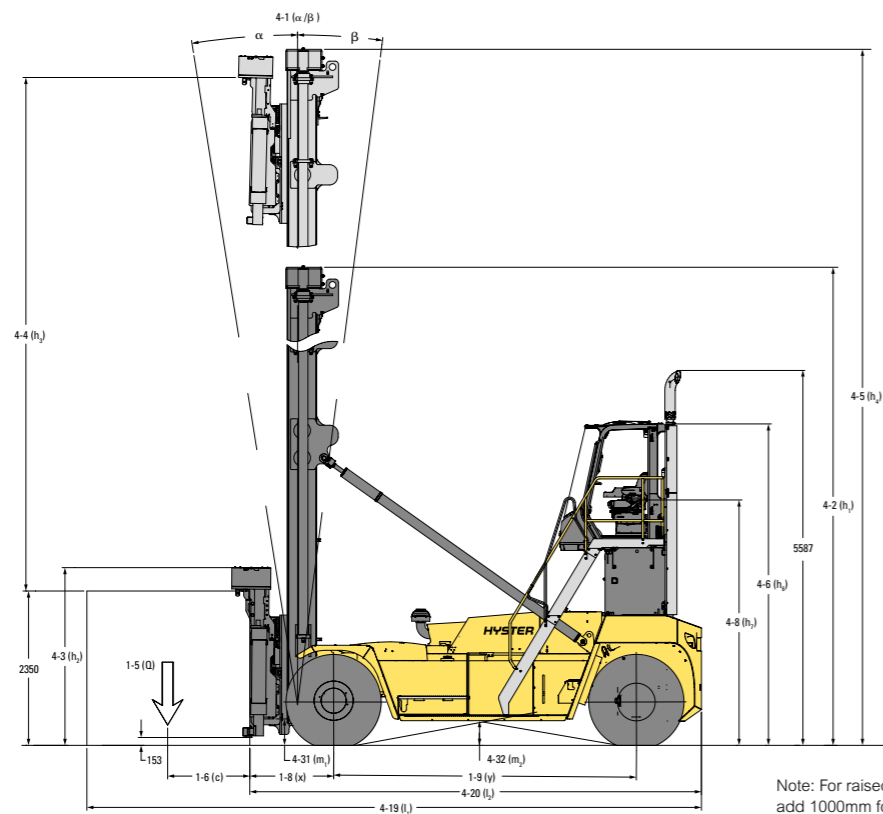
**EMPTY CONTAINER HANDLER**  
**PRODUCT TECHNICAL GUIDE**



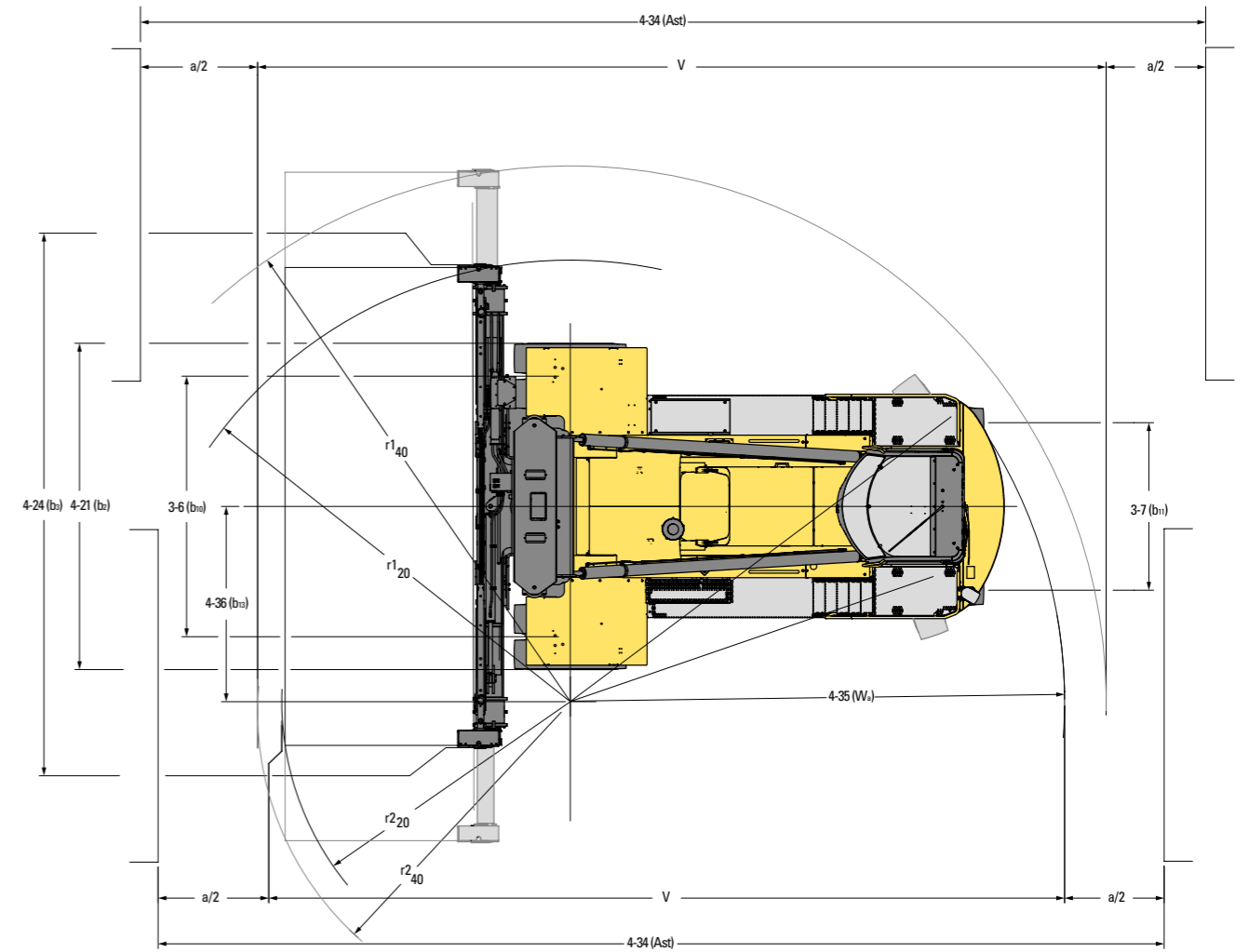
STANDARD CAB POSITION



OPTIONAL RAISED CAB POSITION



Note: For raised cab version add 1000mm for h6 and h7.



- $r_1$  = radius of swing of container rear corner
- $r_2$  = radius of swing of container front corner
- $W_a$  = outside turning radius of the truck
- $a$  = total operating clearance:  
= 200 mm (100 mm each side acc. VDI) see VDI line 4-34-3 and 4-34-4
- $V$  = (theoretical) 90° ~ stacking aisle width, no intrusive stacking:  
 $V = r_2 + \text{the larger of } r_1 \text{ or } W_a$
- $Ast$  = (practical) 90° ~ stacking aisle width, no intrusive stacking and with clearance:  
 $Ast = V + a$

# H8XD-EC6 / H8XD-EC7 / H9XD-EC7 SPECIFICATIONS

GENERAL	1-1	Manufacturer	HYSTER				
	1-2	Model designation	H8XD-EC6	H8XD-EC7	H9XD-EC7		
	1-3	Powertrain / drivetrain	Diesel				
	1-4	Operator type	Seated				
	1-5	Load capacity at load centre, nominal (1)	Q	kg	8,000		
	1-6	Load centre	C <sub>1</sub>	mm	1,220		
	1-8	Load distance	x	mm	1,357		
	1-9	Wheelbase	y	mm	4,500		
	1-10	Container stacking height, 8'6" / 9'6"	#	6 / 5	7 / 6		
	WEIGHT	2-1	Service weight	kg	35,558	36,912	38,898
2-2		Axle loading with load, front / rear	kg	35,313 / 8,194	36,794 / 8,068	38,193 / 9,655	
2-3		Axle loading without load, front / rear	kg	22,935 / 12,623	24,416 / 12,497	24,259 / 14,639	
WHEELS	3-1	Tyre type	Type	Pneumatic			
	3-2	Tyre size, front		14.00-24 24PR			
	3-3	Tyre size, rear		14.00-24 24PR			
	3-5	Number of tyres, front / rear ( X driven )	#	x4 / 2			
	3-6	Tread, front	b <sub>10</sub>	mm	3,282		
	3-7	Tread, rear	b <sub>11</sub>	mm	2,108		
DIMENSIONS	4-1	Mast tilt, forward / backward	α/β	°	4 / 3		
	4-2	Height, mast lowered	h <sub>1</sub>	mm	9,495	10,795	
	4-3	Freelift	h <sub>2</sub>	mm	0		
	4-4	Lift	h <sub>3</sub>	mm	13,850	16,450	
	4-4-1	Lift minimum (2)	h <sub>3.1.1</sub>	mm	2,318		
	4-4-2	Lift maximum (2)	h <sub>3.1.2</sub>	mm	16,168	18,768	
	4-5	Height, mast extended	h <sub>4</sub>	mm	16,420	19,020	
	4-7-1	Height of overhead guard (closed cab)	h <sub>6</sub>	mm	3,844		
	4-7-2	Height of overhead guard (closed cab w/ strobe light )	h <sub>6</sub>	mm	3,976		
	4-7-3	Height of overhead guard (closed cab w/ work lights)	h <sub>6</sub>	mm	4,035		
	4-8	Seat height to SIP (3) (4)	h <sub>7</sub>	mm	2,676		
	4-19	Overall length	l <sub>1</sub>	mm	9,262		
	4-20	Length to face of spreader	l <sub>2</sub>	mm	6,824		
	4-21	Overall width across drive tyres	b <sub>2</sub>	mm	4,110		
	4-23	Width across spreader, retracted / extended	b <sub>3</sub>	mm	6,084 / 12,218		
	4-31	Ground clearance, lowest point	m <sub>1</sub>	mm	236		
4-32	Ground clearance, centre of wheelbase	m <sub>2</sub>	mm	383			
4-33	Aisle width with 20' Container; REDUCED / FULL stroke	Ast <sub>20</sub>	mm	10,614 / 10,144			
4-34	Aisle width with 40' Container; REDUCED / FULL stroke	Ast <sub>40</sub>	mm	14,180 / 13,875			
4-35	Outside turning radius, reduced / full stroke	W <sub>a</sub>	mm	6,797 / 6,327			
4-36	Internal turning radius, reduced / full stroke	b <sub>13</sub>	mm	3,438 / 2,620			
PERFORMANCE - STAGE IIIA	5-1	Travel speed, with / without load	km/h	20 / 25			
	5-2	Lifting speed, with / without load	m/s	0.51 / 0.67			
	5-2-1	Lifting speed, with 70% load	m/s	0.60			
	5-3	Lowering speed with / without load	m/s	0.55 / 0.55			
	5-5	Drawbar pull - 1 mph (1.6 km/h), with / without load	kN	149 / 150	148 / 150		
	5-6	Drawbar pull - max, with / without load	kN	179 / 181	179 / 180		
	5-7	Gradeability - 1 mph (1.6 km/h), with / without load (5)	%	37 / 39	36 / 38	33 / 36	
	5-8	Gradeability - max, with / without load (5)	%	46 / 39	45 / 38	41 / 36	
PERFORMANCE - STAGE V	5-1	Travel speed, with / without load	km/h	20 / 25			
	5-2	Lifting speed, with / without load	m/s	0.51 / 0.67			
	5-2-1	Lifting speed, with 70% load	m/s	0.58			
	5-3	Lowering speed with / without load	m/s	0.55 / 0.55			
	5-5	Drawbar pull - 1 mph (1.6 km/h), with / without load	kN	160 / 161		159 / 161	
	5-6	Drawbar pull - max, with / without load	kN	193 / 194	192 / 194		
	5-7	Gradeability - 1 mph (1.6 km/h), with / without load (5)	%	40 / 39	39 / 38	36 / 36	
	5-8	Gradeability - max, with / without load (5)	%	49 / 39	48 / 38	45 / 36	

(1) Raised cabin may result in reduced capacity since the "carry" height will be higher.  
 (2) Minimum/maximum height of twistlocks  
 (3) With raised cabin position add 39" / 1000 mm  
 (4) SIP to drive axle plus radius of tyres to ground using standard tyres  
 (5) Gradeability figures are provided for comparison of tractive performance, but are not intended to endorse the operation of vehicle on the stated inclines.

# H9XD-EC8 / H9XD-ECD7 / H9XD-ECD8 SPECIFICATIONS

GENERAL	1-1	Manufacturer	HYSTER				
	1-2	Model designation	H9XD-EC8	H9XD-ECD7	H9XD-ECD8		
	1-3	Powertrain / drivetrain	Diesel				
	1-4	Operator type	Seated				
	1-5	Load capacity at load centre, nominal (1)	Q	kg	9,000		
	1-6	Load centre	C <sub>1</sub>	mm	1,220		
	1-8	Load distance	x	mm	1,357		
	1-9	Wheelbase	y	mm	4,500		
	1-10	Container stacking height, 8'6" / 9'6"	#	8 / 7	6 + 1 / 5 + 1	7 + 1 / 6 + 1	
	WEIGHT	2-1	Service weight	kg	41,487	39,468	40,852
2-2		Axle loading with load, front / rear	kg	38,896 / 10,540	39,088 / 9,380	40,602 / 9,251	
2-3		Axle loading without load, front / rear	kg	25,962 / 15,524	25,030 / 14,438	26,544 / 14,309	
WHEELS	3-1	Tyre type	Type	Pneumatic			
	3-2	Tyre size, front		14.00-24 24PR			
	3-3	Tyre size, rear		14.00-24 24PR			
	3-5	Number of tyres, front / rear ( X driven )	#	x4 / 2			
	3-6	Tread, front	b <sub>10</sub>	mm	3,282	3,507	
	3-7	Tread, rear	b <sub>11</sub>	mm	2,108		
DIMENSIONS	4-1	Mast tilt, forward / backward	α/β	°	4 / 3		
	4-2	Height, mast lowered	h <sub>1</sub>	mm	12,095	9,495	10,795
	4-3	Freelift	h <sub>2</sub>	mm	0		
	4-4	Lift	h <sub>3</sub>	mm	19,050	13,850	16,450
	4-4-1	Lift minimum (2)	h <sub>3.1.1</sub>	mm	2,472		
	4-4-2	Lift maximum (2)	h <sub>3.1.2</sub>	mm	21,368	16,322	18,922
	4-5	Height, mast extended	h <sub>4</sub>	mm	21,620	16,420	19,020
	4-7-1	Height of overhead guard (closed cab)	h <sub>6</sub>	mm	3,844		
	4-7-2	Height of overhead guard (closed cab w/ strobe light )	h <sub>6</sub>	mm	3,976		
	4-7-3	Height of overhead guard (closed cab w/ work lights)	h <sub>6</sub>	mm	4,035		
	4-8	Seat height to SIP (3) (4)	h <sub>7</sub>	mm	2,676		
	4-19	Overall length	l <sub>1</sub>	mm	9,214		
	4-20	Length to face of spreader	l <sub>2</sub>	mm	6,776		
	4-21	Overall width across drive tyres	b <sub>2</sub>	mm	4,335	4,110	
	4-23	Width across spreader, retracted / extended	b <sub>3</sub>	mm	6,566 / 12,700		
	4-31	Ground clearance, lowest point	m <sub>1</sub>	mm	236		
4-32	Ground clearance, centre of wheelbase	m <sub>2</sub>	mm	383			
4-33	Aisle width with 20' Container; REDUCED / FULL stroke	Ast <sub>20</sub>	mm	10,566 / 10,096			
4-34	Aisle width with 40' Container; REDUCED / FULL stroke	Ast <sub>40</sub>	mm	14,382 / 14,081			
4-35	Outside turning radius, reduced / full stroke	W <sub>a</sub>	mm	6,797 / 6,327			
4-36	Internal turning radius, reduced / full stroke	b <sub>13</sub>	mm	3,438 / 2,620			
PERFORMANCE - STAGE IIIA	5-1	Travel speed, with / without load	km/h	20 / 25			
	5-2	Lifting speed, with / without load	m/s	0.46 / 0.61			
	5-2-1	Lifting speed, with 70% load	m/s	0.54			
	5-3	Lowering speed with / without load	m/s	0.55 / 0.55			
	5-5	Drawbar pull - 1 mph (1.6 km/h), with / without load	kN	147 / 149	148 / 149	147 / 149	
	5-6	Drawbar pull - max, with / without load	kN	178 / 180			
	5-7	Gradeability - 1 mph (1.6 km/h), with / without load (5)	%	31 / 35	33 / 39	32 / 38	
	5-8	Gradeability - max, with / without load (5)	%	39 / 35	41 / 39	39 / 38	
PERFORMANCE - STAGE V	5-1	Travel speed, with / without load	km/h	20 / 25			
	5-2	Lifting speed, with / without load	m/s	0.46 / 0.61			
	5-2-1	Lifting speed, with 70% load	m/s	0.53			
	5-3	Lowering speed with / without load	m/s	0.55 / 0.55			
	5-5	Drawbar pull - 1 mph (1.6 km/h), with / without load	kN	159 / 160			
	5-6	Drawbar pull - max, with / without load	kN	192 / 193			
	5-7	Gradeability - 1 mph (1.6 km/h), with / without load (5)	%	34 / 35	36 / 39	34 / 38	
	5-8	Gradeability - max, with / without load (5)	%	42 / 35	44 / 39	43 / 38	

(1) Raised cabin may result in reduced capacity since the "carry" height will be higher.  
 (2) Minimum/maximum height of twistlocks  
 (3) With raised cabin position add 39" / 1000 mm  
 (4) SIP to drive axle plus radius of tyres to ground using standard tyres  
 (5) Gradeability figures are provided for comparison of tractive performance, but are not intended to endorse the operation of vehicle on the stated inclines.

GENERAL	1-1	Manufacturer	HYSTER				
	1-2	Model designation	H10XD-ECD8	H11XD-ECD8	H11XD-ECD9		
WEIGHT	1-3	Powertrain / drivetrain	Diesel				
	1-4	Operator type	Seated				
	1-5	Load capacity at load centre, nominal (1)	Q	kg	10,000	11,000	
	1-6	Load centre	C <sub>1</sub>	mm	1,220		
	1-8	Load distance	x	mm	1,357		
	1-9	Wheelbase	y	mm	4,500		
	1-10	Container stacking height, 8'6" / 9'6"		#	7 + 1 / 6 + 1	8 + 1 / 7 + 1	
	2-1	Service weight		kg	41,886	42,847	44,198
	2-2	Axle loading with load, front / rear		kg	42,166 / 9,719	43,730 / 10,117	45,207 / 9,990
	2-3	Axle loading without load, front / rear		kg	26,546 / 15,339	26,548 / 16,299	28,025 / 16,172
WHEELS	3-1	Tyre type	Pneumatic				
	3-2	Tyre size, front	14.00-24 24PR				
	3-3	Tyre size, rear	14.00-24 24PR				
	3-5	Number of tyres, front / rear ( X driven )	#	x4 / 2			
	3-6	Tread, front	b <sub>10</sub>	mm	3,507		
	3-7	Tread, rear	b <sub>11</sub>	mm	2,108		
	DIMENSIONS	4-1	Mast tilt, forward / backward	α/β	°	4 / 3	
4-2		Height, mast lowered	h <sub>1</sub>	mm	10,795	12,095	
4-3		Freelift	h <sub>2</sub>	mm	0		
4-4		Lift	h <sub>3</sub>	mm	16,450	19,050	
4-4-1		Lift minimum (2)	h <sub>3.1.1</sub>	mm	2,472		
4-4-2		Lift maximum (2)	h <sub>3.1.2</sub>	mm	18,922	21,522	
4-5		Height, mast extended	h <sub>4</sub>	mm	19,020	21,620	
4-7-1		Height of overhead guard (closed cab)	h <sub>6</sub>	mm	3,844		
4-7-2		Height of overhead guard (closed cab w/ strobe light )	h <sub>6</sub>	mm	3,976		
4-7-3		Height of overhead guard (closed cab w/ work lights)	h <sub>6</sub>	mm	4,035		
4-8		Seat height to SIP (3) (4)	h <sub>7</sub>	mm	2,676		
4-19		Overall length	l <sub>1</sub>	mm	9,214		
4-20		Length to face of spreader	l <sub>2</sub>	mm	6,776		
4-21		Overall width across drive tyres	b <sub>2</sub>	mm	4,335		
4-23		Width across spreader, retracted / extended	b <sub>3</sub>	mm	6,566 / 12,700		
4-31		Ground clearance, lowest point	m <sub>1</sub>	mm	236		
4-32		Ground clearance, centre of wheelbase	m <sub>2</sub>	mm	383		
4-33		Aisle width with 20' Container; REDUCED / FULL stroke	Ast <sub>20</sub>	mm	10,566 / 10,096		
4-34		Aisle width with 40' Container; REDUCED / FULL stroke	Ast <sub>40</sub>	mm	14,382 / 14,081		
4-35		Outside turning radius, reduced / full stroke	W <sub>3</sub>	mm	6,797 / 6,327		
4-36		Internal turning radius, reduced / full stroke	b <sub>13</sub>	mm	3,438 / 2,620		
PERFORMANCE - STAGE IIIA	5-1	Travel speed, with / without load		km/h	20 / 25		
	5-2	Lifting speed, with / without load		m/s	0.46 / 0.61		
	5-2-1	Lifting speed, with 70% load		m/s	0.54		
	5-3	Lowering speed with / without load		m/s	0.55 / 0.55		
	5-5	Drawbar pull - 1 mph (1.6 km/h), with / without load		kN	147 / 149	147 / 148	
	5-6	Drawbar pull - max, with / without load		kN	178 / 180	177 / 179	
	5-7	Gradeability - 1 mph (1.6 km/h), with / without load (5)		%	30 / 37	29 / 37	28 / 36
	5-8	Gradeability - max, with / without load (5)		%	37 / 37	36 / 37	35 / 36
PERFORMANCE - STAGE V	5-1	Travel speed, with / without load		km/h	20 / 25		
	5-2	Lifting speed, with / without load		m/s	0.46 / 0.61		
	5-2-1	Lifting speed, with 70% load		m/s	0.53		
	5-3	Lowering speed with / without load		m/s	0.55 / 0.55		
	5-5	Drawbar pull - 1 mph (1.6 km/h), with / without load		kN	158 / 160		
	5-6	Drawbar pull - max, with / without load		kN	191 / 193		
	5-7	Gradeability - 1 mph (1.6 km/h), with / without load (5)		%	33 / 37	31 / 37	31 / 36
	5-8	Gradeability - max, with / without load (5)		%	41 / 37	39 / 37	38 / 36

(1) Raised cabin may result in reduced capacity since the "carry" height will be higher.  
 (2) Minimum/maximum height of twistlocks  
 (3) With raised cabin position add 39" / 1000 mm  
 (4) SIP to drive axle plus radius of tyres to ground using standard tyres  
 (5) Gradeability figures are provided for comparison of tractive performance, but are not intended to endorse the operation of vehicle on the stated inclines.

GENERAL	1-1	Manufacturer	Hyster				
	1-2	Model designation	H8-9XD-EC6-8 / H9-11XD-ECD7-9				
	1-3	Powertrain / drivetrain	Diesel				
ENGINE	7-1	Engine manufacturer / model	Cummins / QSB 6.7	Mercedes OM936 / 7.7			
	7-1a	EPA Tier Compliance	Stage IIIA	Stage V			
	7-2	Engine power - rated		kW	164@2200	180@1800	
	7-3-1	Engine torque @ rpm (1.min)		N-m	949@1500	1,000@1200-1600	
	7-4	Number of cylinders / displacement		# / cm <sup>3</sup>	6 / 6,690	6 / 7,698	
	7-6	Fuel consumption according to VDI cycle		l/h	On request		
	7-8	Alternator output		Amps	120		
	7-9	Electrical system voltage		V	24		
	7-10	Battery voltage, nominal capacity		V / Ah	24 / 102		
	DRIVE	8-0	Drive control / transmission	Type	Powershift Transmission		
8-1		Type of drive unit	Type	Torque Converter			
8-2		Transmission manufacturer / type	Type	ZF 5WG211			
8-2-1		Transmission speeds forward / backward	#	5 / 3			
8-3		Wheel drive / drive axle manufacturer / type	Type	AxleTech / PRC 1756W3H			
8-11		Service brake	Type	Oil immersed (wet) disc			
8-12		Parking brake	Type	Spring applied, dry disc on drive axle			
MISC		10-1	Operating pressure for attachments	MPa	22.5		
		10-2	Oil volume for attachments	l/m	72		
		10-3	Hydraulic tank capacity	l	289	300	
		10-4	Fuel tank capacity	l	350		
		10-4-1	DEF/AdBlue Tank capacity	l	N/A	38	
	10-5	Steering design	Type	Hydrostatic			
10-6	Number of steering rotations	#	5.0				
SPREADER	1-2	Model designation	H8-9XD-EC6-8			H9-11XD-ECD7-9	
	9-1	Spreader manufacturer / type	Type	Elme / 586TB MPS	Elme / 584LD PPS		
	9-1-1	Pile slope, mechanical	mm	+/- 205	+/- 192		
	9-1-2	Pile slope total, powered	°	-	+/- 6		
	9-3	Size of containers	ft	ISO 20' & 40'			
	9-4	Sideshift	b8	mm	+/- 600		
	9-4-1	Telescoping time, extend / retract	sec	10 / 13			

**NOTES:**

Specifications are affected by the condition of the vehicle and how it is equipped, as well as the nature and condition of the operating area. Inform your dealer of the nature and condition of the intended operating area when purchasing your Hyster® truck.

All capacities are according to EN1551.

All specifications and capacities are valid for trucks equipped with a Hyster® container handling spreader for handling ISO containers.

**NOTICE:**

Care must be exercised when handling elevated loads. Operators must be trained and must read, understand and follow the instructions contained in the Operating Manual.

All values are nominal values and they are subject to tolerances. For further information, please contact the manufacturer. Hyster products are subject to change without notice.

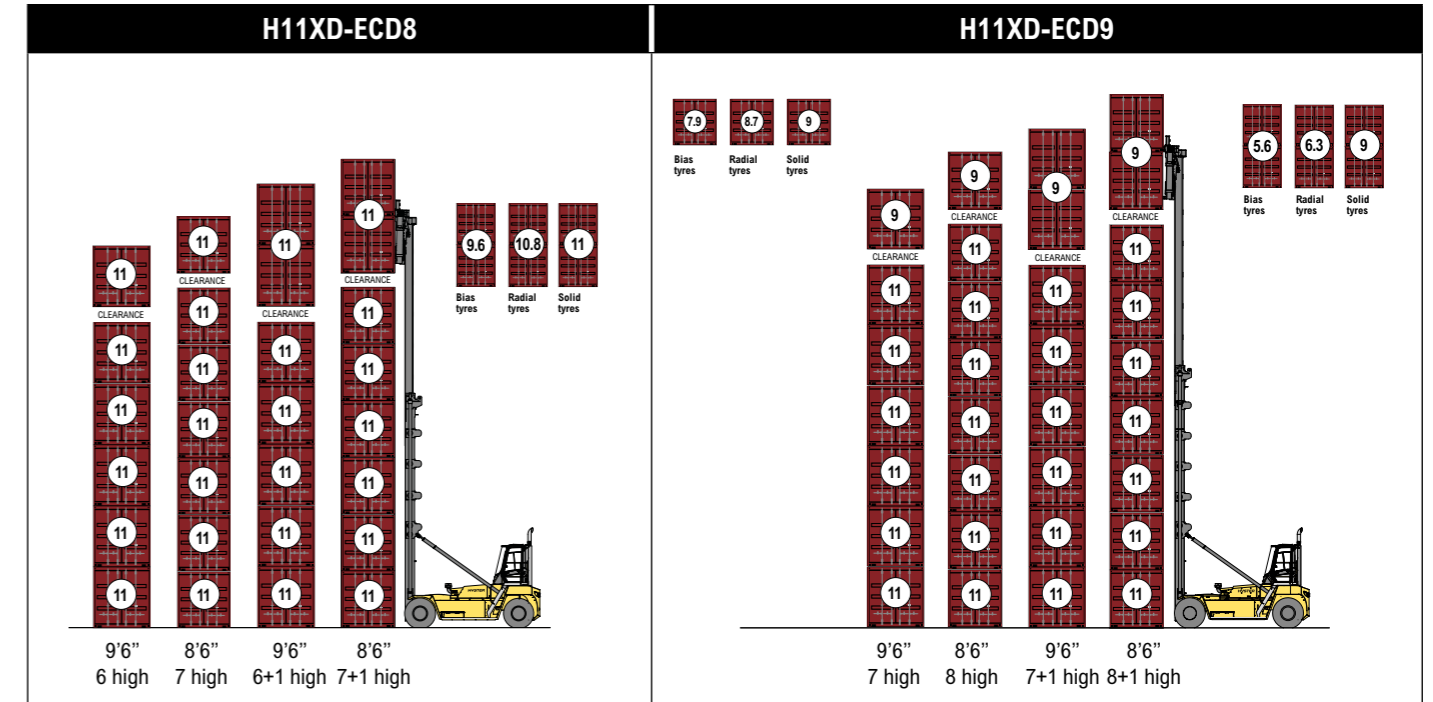
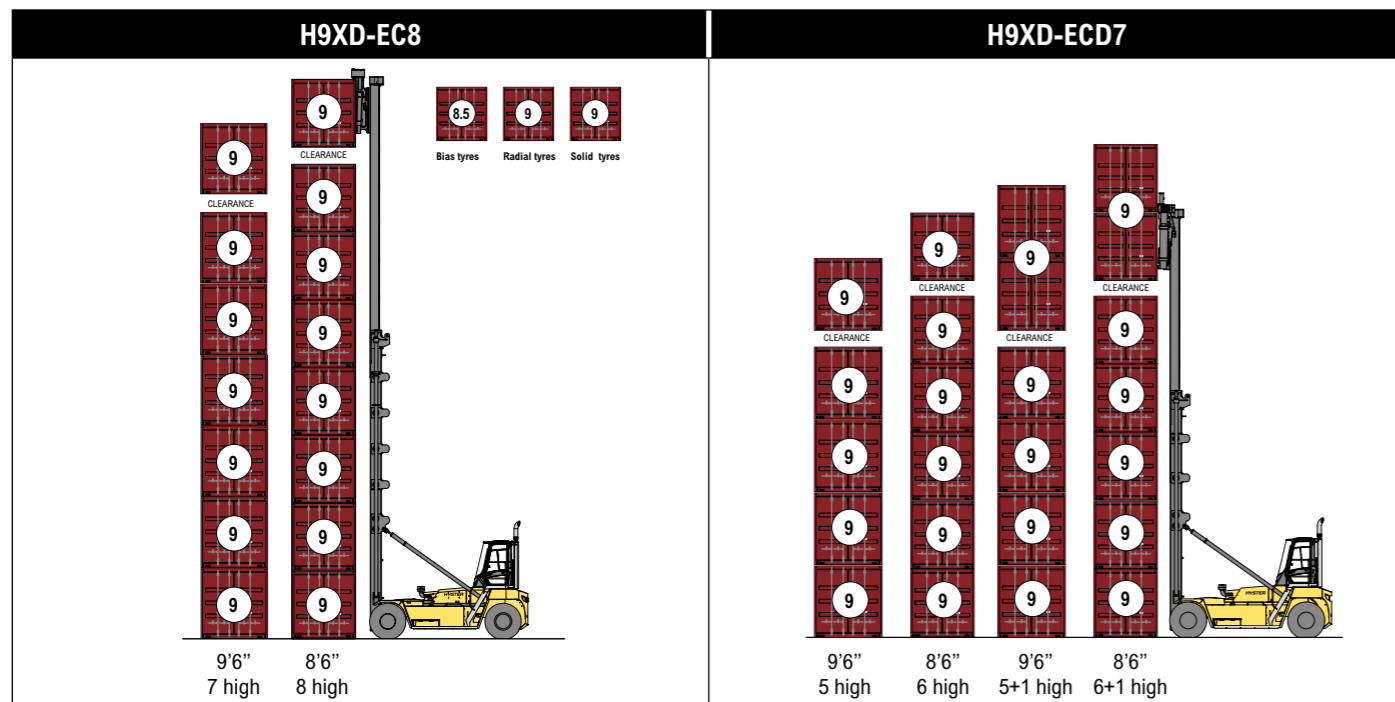
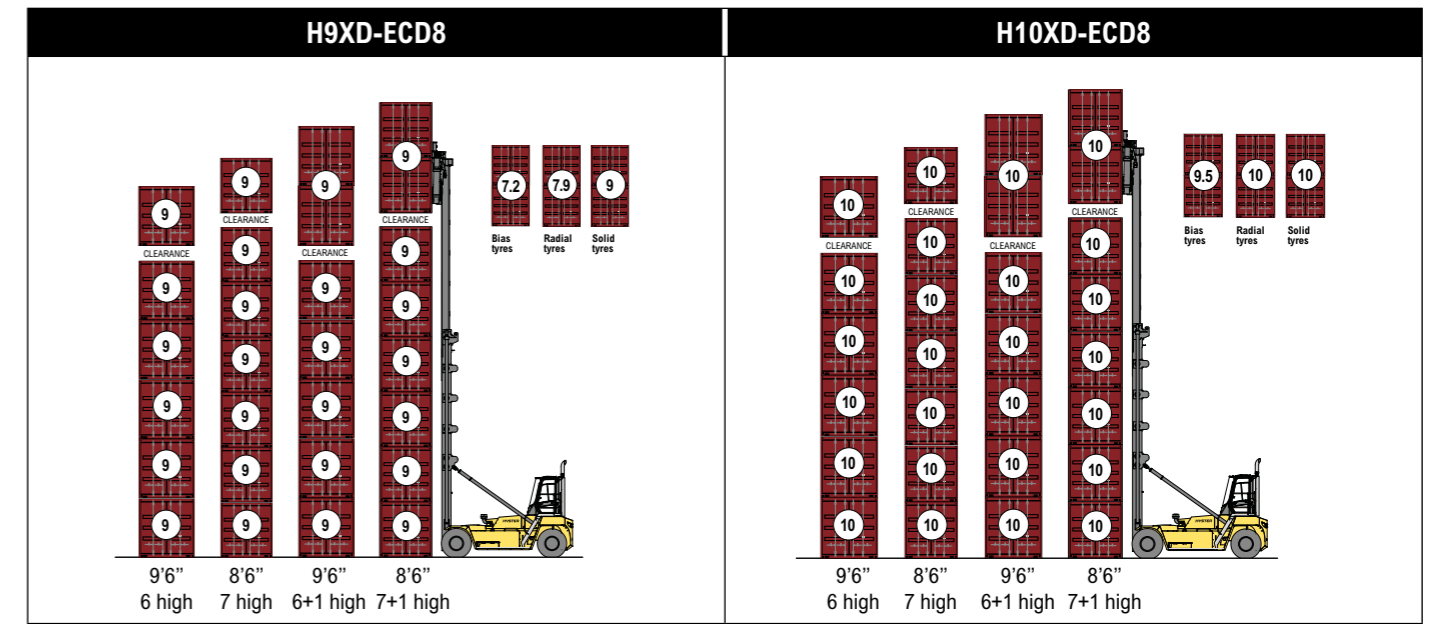
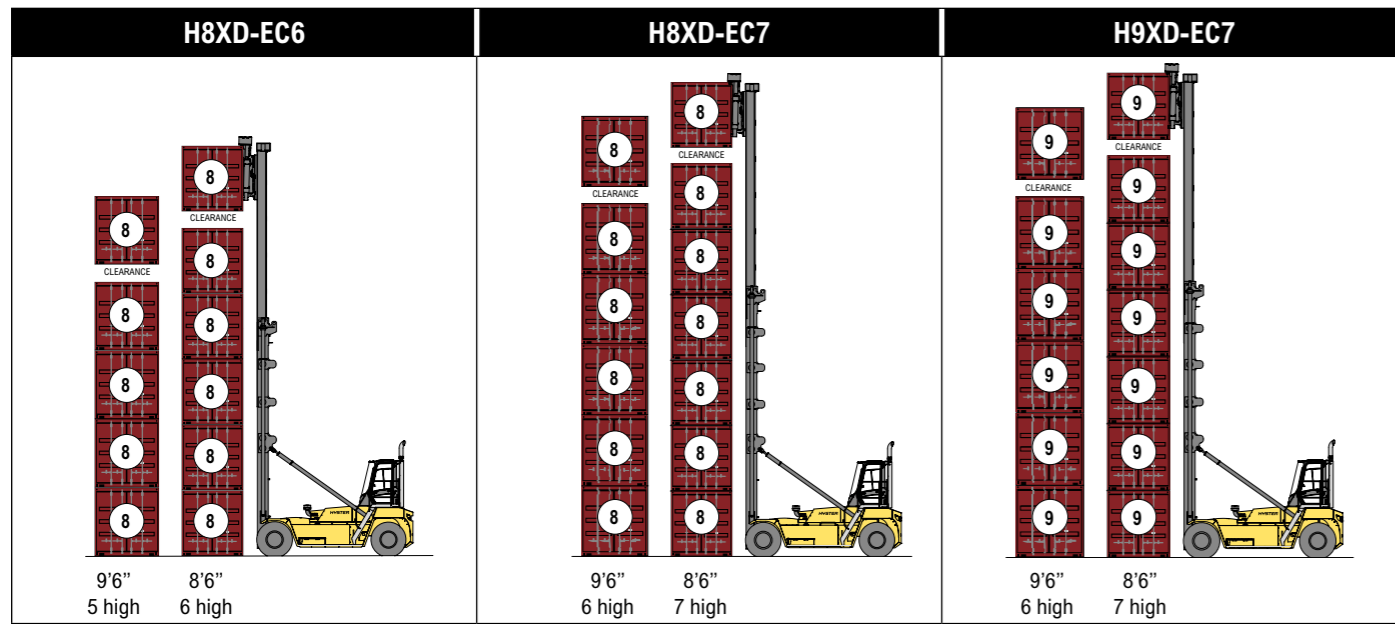
Lift trucks illustrated may feature optional equipment. Values may vary with alternative configurations.

**CERTIFICATION:** Hyster lift trucks meet the design and construction requirements of B56.1-1969, per OSHA Section 1910.178(a)(2), and also comply with the B56.1 revision in effect at time of manufacture. Certification of compliance with the applicable ANSI standards appears on the lift truck. Performance specifications are for a truck equipped as described under Standard Equipment on this Technical Guide. Performance specifications are affected by the condition of the vehicle and how it is equipped, as well as by the nature, condition of the operating area, proper service and maintenance of the vehicle. If these specifications are critical, the proposed application should be discussed with your dealer.

**NOTE:** Specifications, unless otherwise listed, are for a standard truck without optional equipment.

Specification data is based on VDI 2198.

**UK CA Safety:** This truck conforms to the current EU, UK CA and ANSI requirements.



SINGLE CONTAINER SPREADER

**SINGLE CONTAINER SPREADER 588 TB**

Single handling container spreader  
Vertical Twistlocks.  
Suitable for:

- 20' or 40' ISO containers of 8' (2.44 m) width
- With speed limitation for laden/unladen.

Not suitable for:

- Approx. 2.45 - 2.60 m wide "CPC" containers (Cellular Pallet-wide Containers) with non-ISO corner castings.
- Approx. 2.45 - 2.50 m wide "pallet-wide" 20' or 40' containers, with ISO-like 'chamfered' corner castings.

DOUBLE CONTAINER SPREADER

**DOUBLE CONTAINER SPREADER 584 LD**

Double handle container spreader.

- Picking container(s) at the front (hooks) and side (clamps) of the corner castings.
- With speed limitation for laden/unladen.
- With speed limitation for locked/un-locked.
- With first and second container presence sensing.

## OPTIONAL SPREADERS AND ENGAGEMENT SYSTEMS

## STANDARD AND OPTIONAL EQUIPMENT

### SINGLE CONTAINER SPREADER 586 TB





		Single container handling spreader Vertical Twistlocks Removable "inset" container blocks Suitable for: <ul style="list-style-type: none"> <li>20' or 40' ISO containers of 8' (2.44 m) width</li> <li>Approx. 2.45-2.60 m wide "CPC" containers (Cellular Pallet-wide Containers) with non-ISO top corners castings.</li> <li>With speed limitation for laden/unladen.</li> </ul>
		

### SINGLE CONTAINER SPREADER 589 TB

		Single container handling spreader Vertical Twistlocks Forward Reach function on the twistlocks (100-176 mm) Suitable for: <ul style="list-style-type: none"> <li>20' or 40' ISO containers of 8' (2.44 m) width</li> <li>Approx. 2.45-2.50 m wide "pallet-wide" 20' or 40' containers, with ISO-like 'chamfered' corner castings.</li> <li>Approx. 2.45-2.60 m wide "CPC" containers (Cellular Pallet-wide Containers) with non-ISO top corners castings.</li> <li>With speed limitation for laden/unladen.</li> </ul>
		

Note: All single handler spreaders are equipped with mechanically action pile slope (MPS). Optional powered pile slope available (PPS).

### DOUBLE CONTAINER SPREADER 582 LS

		Double handle container spreader. <ul style="list-style-type: none"> <li>Picking container(s) at the front of the corner castings (enabling block stacking)</li> <li>Top twistlock is extendable/retractable</li> <li>No speed limits without container</li> <li>Speed limiter 20km/h if one or two 20-40ft containers handling (laden)</li> </ul>
		

### DOUBLE CONTAINER SPREADER 584 LF

		Double handle container spreader. <ul style="list-style-type: none"> <li>Picking container(s) at the front (hooks) and side (clamps) of the corner castings</li> <li>One or two ISO and Binnen container(s) 20-40ft.</li> <li>One 45ft container in 40ft position</li> <li>Includes first and second container presence sensing (indicating laden or unladen status for bottom and top container separately)</li> <li>Includes fill-out pin and sensor to supplement hook, in order to ensure container engagement</li> <li>No speed limits without container</li> <li>Speed limiter 20km/h if one or two 20-40ft containers handling (laden)</li> <li>With 10km/h or 6mp/h speed limit if side hooks are open (un-locked)</li> <li>Speed limit 20 km/h with 45 ft container with fill-out pin</li> </ul>
		

Note: All double handler spreaders are equipped with powered pile slope (PPS)

PERFORMANCE	STD	OPT
Cummins QSB 6.7L diesel engine rated 220 hp Tier 3 / 164 kW Stage IIIA	Stage IIIA	
Mercedes OM936 7.7L Stage V Diesel Engine 180 kW @ 2200 rpm	Stage V	
Hibernate Idle	X	
Hydraulically driven on-demand cooling fan	X	
120 amp alternator	X	
Powertrain protection system	X	
Drive axle with Oil immersed brakes	X	
ZF Transmission 5WG211 5-speeds fwd/3-speeds reverse auto-shifting	X	
AxleTech Drive Axle PRC1756 W3H with wet disc brakes	X	

DRIVE	STD	OPT
Travel Speed Limiter pre-set to 12 mph / 20 km/h	X	
Conditional Travel Speed Limiter on un-locked, pre-set to 10 km/h	X	
14.00 x 24-24 Pneumatic Steer and Drive		X
14.00 x 24 Michelin XZM Radial Steer and Drive		X
14.00 x 24 Trelleborg Radial Steer and Drive		X
14.00 x 24 Pneumatic Shaped Solids Steer and Drive		X
14.00 R24 Bridgestone VCHS Tubeless Radial Steer and Drive		X
14.00 R24 Michelin XZM Tubeless Radial Steer and Drive		X
14.00 x 24-24 Pneumatic Bias Steer and Drive	X	
Steer Axle with Wheel Nut Protection		X
Spare wheels and tyres		X

LIFT	STD	OPT
On-Demand Load Sensing Hydraulic System	X	
Automatic Throttle-up when lifting (in neutral or inching)	X	
Variable lap mast for low roller forces	X	
2 cylinder / 2 chain design	X	
2 Stage Non Free Lift mast	X	
Mast tilt - 4° Forward / 3° Back	X	
Mast Tilt Indicator - Mechanical		X
Hydraulic Accumulator	X	
Height sensor		X
Pressure compensated lowering	X	
Hydraulic system temperature protection with performance de-rate		X

HANDLING	STD	OPT
*Single handling Side lift Spreader 586TB Telescopic 20-40ft with vertical Twistlocks and removable spacer block for wide container"		X
*Single handling Side lift Spreader 588TB Telescopic 20-40ft with vertical Twistlocks for standard wide container"	EC	
*Single handling Side lift Spreader 589TB Telescopic 20-40ft with vertical and moveable +/- 76 mm Twistlocks for wide container"		X
*Double handling Side lift Spreader 584LD Telescopic 20-40ft with Hook and Side Clamps with one Container detection"	ECD	
*Double handling Side lift Spreader 584LF Telescopic 20-40ft with Hook and Side Clamps and 2 Container detection and locking pin"		X
*Double handling Side lift Spreader 582LA Telescopic 20-40ft with double horizontal Twistlocks and Powered Pile Slope"		X
Automated One-touch Spreader Extend/Retract (20'-40')		X
Mechanical Pile Slope	X	
Powered Pile Slope	ECD	EC

ERGONOMICS	STD	OPT
Enclosed Operator Cabin with Heating	X	
Enclosed Operator Cabin with Automatic Climate Control		X
Standard Cab Position	X	
Standard Cab Position with automatic tip-up		X
Raised Cab Position		X
Raised Cab Position with automatic tip-up		X
Operator presence system	X	
Mechanical suspension cloth seat	X	
Mechanical suspension vinyl seat		X
Air suspension cloth seat		X
Air suspension vinyl seat		X
Deluxe air suspension vinyl seat with head rest		X
Deluxe air suspension cloth seat with head rest		X
Deluxe air suspension cloth seat with heating and ventilation		X
Low backrest seat	X	
High and adjustable seat backrest		X
Armrest on left side	X	
2-point high visibility seatbelt	X	
Lateral seat sliding mechanism		X
Interior dome light		X
"I" - Pattern front wiper on front window screen	X	
"H" - Pattern front wiper on front window screen		X
7" Integrated Performance Display	X	
Dual 7" Integrated Performance Displays		X
Joystick hydraulic control integrated in Control Arm	X	
Steering wheel with spinner knob	X	
Directional control lever on steering column		X
Directional control on joystick	X	
Manual park brake	X	
Park brake - automatically applied		X
24-12 volt DC converter with 1 socket and 2 USB outlets	X	

ERGONOMICS continued	STD	OPT
24-12 volt DC converter with 2 sockets and 2 USB outlets		X
Reading light		X
Sun shades on top and rear*	X	
Sun visors front window		X
Cloth trainer seat with 2-point Hi-Vis seatbelt		X
Recirculation fan		X
Accessory Mounting Bar on A-Pillar		X
Document Holder		X
Heated rear window		X
Heated top and rear window		X
Heated top window		X
Top Window with Armoured Glass (FOPS Certified)	X	
Top Window with Armoured Glass (FOPS Certified) and additional steel bars		X
Additional recirculation fan		X
Radio Preparation with 2 Speakers and Antenna		X
Bluetooth Radio With 2 Speakers And Antenna		X

VISIBILITY	STD	OPT
External wide angle mirrors mounted to front fenders	X	
Exterior wide angle mirrors	X	
Interior wide angle mirrors	X	
Exterior mirrors mounted to cab		X
Rear view camera system		X
Radar object detection system		X
LED work lights	X	
Lights: 4 Halogen Drive Lights, Position and Direction Lights on Front Fender / 4 Halogen work lights cab mounted Front / 2 Halogen cab mounted Rear / Rearward cluster with stop, tail, indicator and reverse lights inclusive hazard function	X	
Lights: 4 LED Drive Lights, Position and Direction Lights on Front Fender / 4 LED work lights cab mounted Front / 2 LED cab mounted Rear / Rearward cluster with stop, tail, indicator and reverse lights inclusive hazard function		X
Lights: 4 LED Drive Lights, Position and Direction Lights on Front Fender / 4 HP LED work lights cab mounted Front / 2 HP LED cab mounted Rear / Rearward cluster with stop, tail, indicator and reverse lights inclusive hazard function		X
LED twistlock indicator lights		X
LED stop/tail/brake lights		X
Turn signals, hazard & marker lights (LED)**		X
2 Additional LED spreader work lights pointed towards corner castings		X

OPERATION	STD	OPT
Air horn 112 dBA	X	
Audible Alarm - Reverse direction activated 82-102dB(A), self adjusting	X	
Visible alarm - Amber strobe light, ignition activated	X	
Tyre pressure monitoring system		X
Air conditioning shut-off with open door		X
Lockable battery disconnect switch		X
Battery jump start connector (NATO plug)		X
Truck start - Key switch with Button - Without Seatbelt Interlock	X	
Truck start - Key switch with Button - With Seatbelt Interlock - non-sequenced		X
Truck start - Key switch with Button - With Seatbelt Interlock - sequenced		X
Operator password (display) for Truck Start		X
Non-lockable fuel cap		X
Lockable fuel cap		X
Fuel strainer in fuel filler neck		X
Hyster Tracker wireless asset management system		X
Hyster Tracker wireless asset management - Access / Verification		X
Hyster Tracker wireless asset management - Monitoring		X
Auto greasing system for base truck		X
Auto greasing system for base truck, outer mast with centralized greasing system for inner mast		X
Centralized greasing provision for upper chain sheaves		X
Centralized greasing system for top end mast		X
Fire Suppression System		X
24 volt electrical system	X	
Fuses partially replaced by electric circuit breakers		X
Stacker cone storage box (on the right hand side of the running board)		X
Front and rear mud guards		X

APPEARANCE	STD	OPT
Hyster yellow paint base truck	X	
Special Colour		X

SUPPLEMENTAL	STD	OPT
Literature package	X	
Operator's manual	X	
CE certification***	X	
Warranty: 24 Months / 4,000 Hours extended warranty	X	
Warranty: 12 Months / 2,000 Hours manufacturer's warranty		X

\* Standard with automatic climate control

\*\* Standard or optional in selected markets or models

\*\*\* Standard for Stage V / Optional for Stage IIIA

Other options available through Special Products Engineering Department (SPED). Contact Hyster for details.




**HYSTER EUROPE**  
Centennial House, Building 4.5, Frimley Business Park,  
Frimley, Surrey, GU16 7SG, United Kingdom

Visit us online at [www.hyster.com](http://www.hyster.com) or call us at **+44 (0) 1276 538500**.

HYSTER-YALE UK LIMITED trading as Hyster Europe.

Registered Address: Centennial House, Building 4.5, Frimley Business Park, Frimley, Surrey GU16 7SG, United Kingdom.

Registered in England and Wales. Company Registration Number: 02636775.

© HYSTER-YALE UK LIMITED. 2023, all rights reserved. Hyster and  are trademarks of Hyster-Yale Group, Inc.

Hyster products are subject to change without notice. Trucks may be shown with optional equipment.

