

J2.5-3.0XNL SERIES

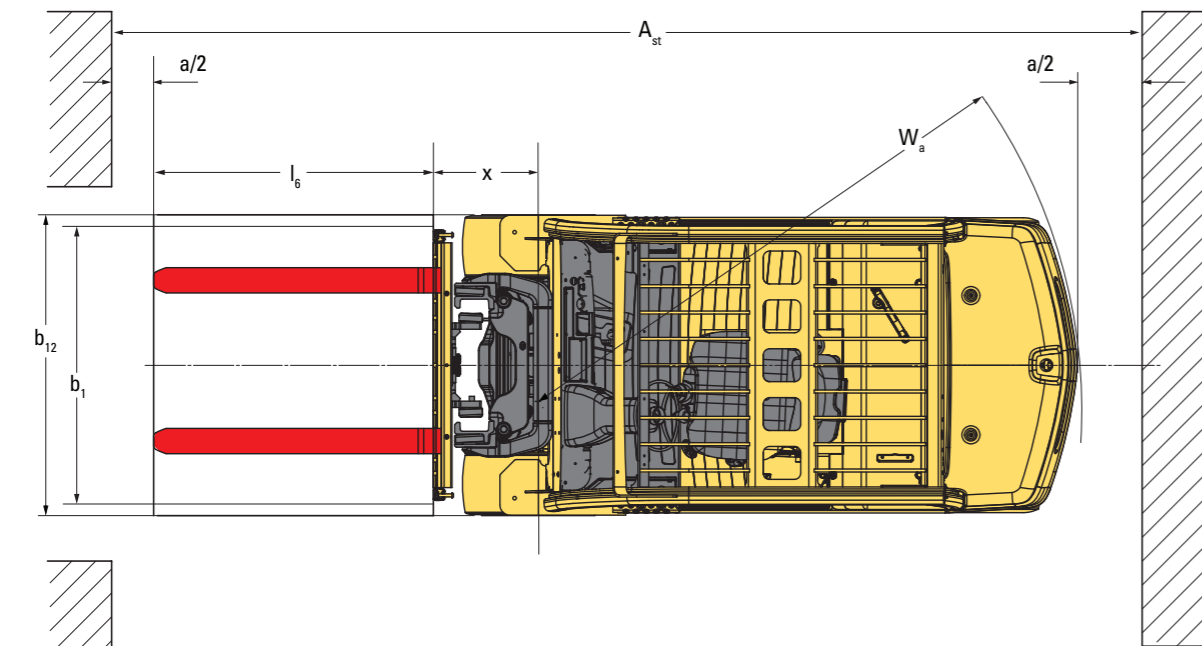
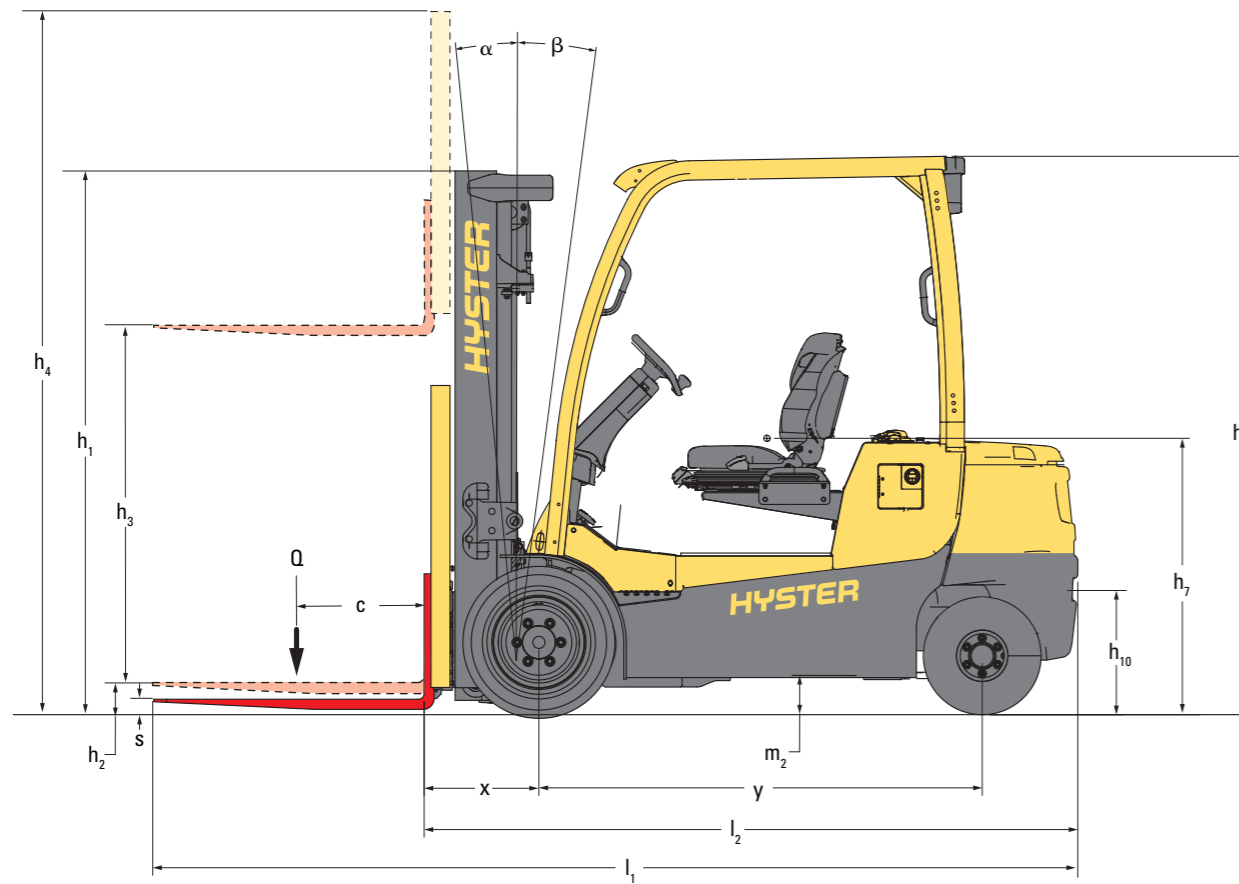


ELECTRIC FORKLIFT

PRODUCT TECHNICAL GUIDE



WWW.HYSTER.COM



\oplus = Centre of gravity of unladen truck
 $A_{st} = W_a + R + a$ (see lines 4.34.1 & 4.34.2)
 $R = \sqrt{(l_6 + x)^2 + \left(\frac{b_{12} - b_{13}}{2}\right)^2}$
 a = Minimum operating clearance (VDI standard = 200 mm, BITA recommendation = 300 mm)
 l_6 = Load length

GENERAL		HYSTER			
1-2 Model designation		J2.5XNL		J3.0XNL	
1-3 Drive		Advance			
1-4 Operator type		Electric (battery)			
1-5 Rated capacity/rated load		Seated			
1-5	Rated capacity/rated load	Q	kg	2,500	3,000
1-6	Load centre distance	c	mm	500	
1-8	Load distance, centre of drive axle to fork (1)	x	mm	419	431
1-9	Wheelbase	y	mm	1,750	
WEIGHT					
2-1	Service weight		kg	4,280	4,710
2-2	Axle loading with load, front / rear		kg	5,957 / 821	7,596 / 610
2-3	Axle loading without load, front / rear		kg	2,144 / 2,135	2,233 / 2,473
WHEELS					
3-1	Tyres front / rear	Pneumatic Shape Solid			
3-2	Tyre size, front	23 x 10-12			
3-3	Tyre size, rear	18 x 7-8			
3-5	Wheels, number front / rear (x = driven wheels)	2x / 2			
3-6	Tread, front - standard / wide	b ₁₀	mm	938 / 1054	
3-7	Tread, rear	b ₁₁	mm	992	
DIMENSIONS					
4-1	Tilt of Mast (Std / Opt / Opt) forward / backward		(°)	5 / 5	
4-2	Height, mast lowered	h ₁	mm	2,192	
4-3	Free lift (10)	h ₂	mm	100	
4-4	Lift (2)	h ₃	mm	3,350	3,155
4-5	Height, mast extended (3)	h ₄	mm	3,960	3,865
4-7	Height of overhead guard (cabin) (4)	h ₆	mm	2,193	
4-8	Seat height relating to SIP (5)	h ₇	mm	984	
4-12	Coupling height	h ₁₀	mm	262	
4-19	Overall length	l ₁	mm	3,480	3,570
4-20	Length to face of forks	l ₂	mm	2,480	2,570
4-21	Overall width, standard / wide tread	b ₁ , b ₂	mm	1,173 / 1,289	1,173 / 1,289
4-22	Fork dimensions DIN ISO 2331	s/e/l	mm	40 / 100 / 1,000 / 50 / 120 / 1,000	
4-23	Fork carriage ISO 2328, class/type A, B			2A	3A
4-24	Fork carriage width (6)	b ₃	mm	1,067	
4-31	Ground clearance, laden, below mast	m ₁	mm	98	
4-32	Ground clearance, centre of wheelbase	m ₂	mm	137	
4-34-1	Aisle width for pallets 1000 x 1200 crossways	A _{st}	mm	3,750	3,828
4-34-2	Aisle width for pallets 800 x 1200 lengthways	A _{st}	mm	3,906	3,984
4-35	Turning radius	W _a	mm	2,073	2,139
4-36	Internal turning radius	b ₁₃	mm	189	
PERFORMANCE					
5-1	Travel speed with / without load (7)		km/h	18.0 / 18.0	17.0 / 18.0
5-2	Lifting speed with / without load		m/s	0.38 / 0.63	0.33 / 0.59
5-3	Lowering speed with / without load		m/s	0.57 / 0.51	0.56 / 0.46
5-5	Drawbar pull laden / unladen, 60 minute rating		N	5,591 / 5,726	5,441 / 5,588
5-6	Maximum drawbar pull laden / unladen, 5 minute rating		N	18,451 / 18,897	17,956 / 18,441
5-7	Gradeability laden / unladen, 30 minute rating		%	9 / 13	8 / 12
5-8	Maximum gradeability laden / unladen, 5 minute rating		%	24 / 35	22 / 34
5-9	Acceleration time, with / without load		s	4.45 / 4.11	4.56 / 4.18
5-10	Service brake	Hydraulic			
MOTOR					
6-1	Drive motor rating S2 60 min		kW	2 x 10.0	
6-2	Lift motor rating at S3 15% rating		kW	16.0	
6-3	Battery according to DIN 43531/35/36 A, B, C, no	No			
6-4	Battery voltage / nominal capacity K5		V/Ah	80 / 420	
6-5	Battery weight (min/max)		kg	362 / 394	
6-6	Power consumption in accordance with VDI cycle (7)		kWh/h	7.89	8.66
OTHER					
8-1	Type of drive unit	AC Electronic			
10-1	Operating pressure for attachments		bar	155	
10-2	Oil volume for attachments (8)		l/min	20-40	
10-7	Sound pressure level at the driver's seat L _{PAZ} (9)		dB(A)	67	
10-8	Towing coupling, type DIN	Pin			

(1) Add 34mm for ISS Carriage up to and including 2500kg capacity. Add 36mm for ISS Carriage for greater than 2500kg capacity.
 (2) Measurement from Ground to Bottom of Forks.
 (3) Add 666mm with LBR up to and including 2500kg. Add 583 with LBR for greater than 2500kg capacity.
 (4) h₆ subject to +/- 5 mm tolerance. Add 20mm with cab option. Add 104mm for battery side removal option. Add 124mm for battery side removal with cab option.
 (5) Full Suspension (FLM80) specified. Compressed condition. Add 40mm for nominal position. Add 104mm for battery side removal option.
 (6) Add 28mm with load backrest.
 (7) Standard performance, extended shift function turned on.
 (8) Maximum flow set through dash display.
 (9) LPAZ, measured according to the test cycles and based on the weighting values contained in EN12053.
 (10) 2LFL masts only.

GENERAL	1-1		HYSTER					
	1-2		J2.5XNL		J3.0XNL			
	1-3		Advance+					
	1-4		Electric (battery)					
	1-5		Seated					
	1-5	Rated capacity/rated load	Q	kg	2,500	3,000		
	1-6	Load centre distance	c	mm	500			
	1-8	Load distance, centre of drive axle to fork (1)	x	mm	419	431		
	1-9	Wheelbase	y	mm	1,750			
WEIGHT	2-1	Service weight		kg	4,280	4,710		
	2-2	Axle loading with load, front / rear		kg	5,957	821	7,596	610
	2-3	Axle loading without load, front / rear		kg	2,144	2,135	2,233	2,473
WHEELS	3-1	Tyres front / rear	Pneumatic Shape Solid					
	3-2	Tyre size, front	23 x 10-12					
	3-3	Tyre size, rear	18 x 7-8					
	3-5	Wheels, number front / rear (x = driven wheels)	2x / 2					
	3-6	Tread, front - standard / wide	b ₁₀	mm	938 / 1054			
	3-7	Tread, rear	b ₁₁	mm	992			
DIMENSIONS	4-1	Tilt of Mast (Std / Opt / Opt) forward / backward		(°)	5 / 5			
	4-2	Height, mast lowered	h ₁	mm	2,192			
	4-3	Free lift (10)	h ₂	mm	100			
	4-4	Lift (2)	h ₃	mm	3,350		3,155	
	4-5	Height, mast extended (3)	h ₄	mm	3,960		3,865	
	4-7	Height of overhead guard (cabin) (4)	h ₆	mm	2,193			
	4-8	Seat height relating to SIP (5)	h ₇	mm	984			
	4-12	Coupling height	h ₁₀	mm	262			
	4-19	Overall length	l ₁	mm	3,480		3,570	
	4-20	Length to face of forks	l ₂	mm	2,480		2,570	
	4-21	Overall width, standard / wide tread	b ₁ , b ₂	mm	1,173	1,289	1,173	1,289
	4-22	Fork dimensions DIN ISO 2331	s/e/l	mm	40 / 100 / 1,000		50 / 120 / 1,000	
	4-23	Fork carriage ISO 2328, class/type A, B			2A		3A	
	4-24	Fork carriage width (6)	b ₃	mm	1,067			
	4-31	Ground clearance, laden, below mast	m ₁	mm	98			
	4-32	Ground clearance, centre of wheelbase	m ₂	mm	137			
	4-34-1	Aisle width for pallets 1000 x 1200 crossways	Ast	mm	3,750		3,828	
	4-34-2	Aisle width for pallets 800 x 1200 lengthways	Ast	mm	3,906		3,984	
	4-35	Turning radius	W _a	mm	2,073		2,139	
	4-36	Internal turning radius	b ₁₃	mm	189			
PERFORMANCE	5-1	Travel speed with / without load (7)		km/h	21.0	21.0	19.5	21.0
	5-2	Lifting speed with / without load		m/s	0.49	0.72	0.42	0.63
	5-3	Lowering speed with / without load		m/s	0.57	0.51	0.56	0.46
	5-5	Drawbar pull laden / unladen, 60 minute rating	N		6,037	6,185	5,877	6,035
	5-6	Maximum drawbar pull laden / unladen, 5 minute rating	N		19,927	20,409	19,393	19,916
	5-7	Gradeability laden / unladen, 30 minute rating,	%		10	14	9	13
	5-8	Maximum gradeability laden / unladen, 5 minute rating	%		26	38	24	37
	5-9	Acceleration time, with / without load	s		4.04	3.71	4.14	3.78
	5-10	Service brake			Hydraulic			
	MOTOR	6-1	Drive motor rating S2 60 min		kW	2 x 10.0		
6-2		Lift motor rating at S3 15% rating		kW	24.0			
6-3		Battery according to DIN 43531/35/36 A, B, C, no			No			
6-4		Battery voltage / nominal capacity K5		V/Ah	80 / 420			
6-5		Battery weight (min/max)		kg	362 / 394			
6-6		Power consumption in accordance with VDI cycle (7)		kWh/h	8.86		9.47	
OTHER	8-1	Type of drive unit			AC Electronic			
	10-1	Operating pressure for attachments		bar	155			
	10-2	Oil volume for attachments (8)		l/min	20-40			
	10-7	Sound pressure level at the driver's seat L _{PAZ} (9)		dB(A)	67			
	10-8	Towing coupling, type DIN			Pin			

(1) Add 34mm for ISS Carriage up to and including 2500kg capacity. Add 36mm for ISS Carriage for greater than 2500kg capacity
 (2) Measurement from Ground to Bottom of Forks
 (3) Add 666mm with LBR up to and including 2500kg. Add 583 with LBR for greater than 2500kg capacity
 (4) h₆ subject to +/- 5 mm tolerance. Add 20mm with cab option. Add 104mm for battery side removal option. Add 124mm for battery side removal with cab option.

(5) Full Suspension (FLM80) specified. Compressed condition. Add 40mm for nominal position. Add 104mm for battery side removal option.
 (6) Add 28mm with load backrest
 (7) Standard performance, extended shift function turned on
 (8) Maximum flow set through dash display.
 (9) LPAZ, measured according to the test cycles and based on the weighting values contained in EN12053.
 (10) 2LFL masts only

J2.5XNL RATED CAPACITY KG @ 500 MM LOAD CENTRE

	Maximum fork height (TOF) h ₃ + s (mm)	Back tilt (°)	Lowered height h ₁ (mm)	Extended height h ₄ (mm)	Free lift (TOF) h ₂ + s (m)	Pneumatic Shape Solid Tyres	
						Without sideshift (kg)	With integral sideshift (kg)
2-STAGE LIMITED FREE LIFT	3390	5	2195	3956 (1)	140	2500	2500
	3790	5	2395	4356 (1)	140	2500	2500
	4330	5	2745	4896 (1)	140	2500	2500
	4830	5	2995	5396 (1)	140	2500	2500
2-STAGE FULL FREE LIFT	3400	5	2195	3966 (1)	1625 (2)	2500	2500
	3800	5	2395	4366 (1)	1825 (2)	2500	2500
3-STAGE FULL FREE LIFT	4420	5	2745	4986 (1)	2175 (2)	2500	2500
	4950	5	2145	5496 (3)	1595 (4)	2500	2500
	5550	5	2395	6096 (3)	1845 (4)	2410	2380
	6000	5	2595	6546 (3)	2045 (4)	2310	2290

J2.5XNL RATED CAPACITY KG @ 600 MM LOAD CENTRE

	Maximum fork height (TOF) h ₃ + s (mm)	Back tilt (°)	Lowered height h ₁ (mm)	Extended height h ₄ (mm)	Free lift (TOF) h ₂ + s (m)	Pneumatic Shape Solid Tyres	
						Without sideshift (kg)	With integral sideshift (kg)
2-STAGE LIMITED FREE LIFT	3390	5	2195	3956 (1)	140	2270	2270
	3790	5	2395	4356 (1)	140	2270	2270
	4330	5	2745	4896 (1)	140	2270	2270
	4830	5	2995	5396 (1)	140	2270	2270
2-STAGE FULL FREE LIFT	3400	5	2195	3966 (1)	1625 (2)	2270	2270
	3800	5	2395	4366 (1)	1825 (2)	2270	2270
3-STAGE FULL FREE LIFT	4420	5	2745	4986 (1)	2175 (2)	2270	2270
	4950	5	2145	5496 (3)	1595 (4)	2270	2250
	5550	5	2395	6096 (3)	1845 (4)	2190	2150
	6000	5	2595	6546 (3)	2045 (4)	2100	2070

J3.0XNL RATED CAPACITY KG @ 500 MM LOAD CENTRE

	Maximum fork height (TOF) h ₃ + s (mm)	Back tilt (°)	Lowered height h ₁ (mm)	Extended height h ₄ (mm)	Free lift (TOF) h ₂ + s (m)	Pneumatic Shape Solid Tyres	
						Without sideshift (kg)	With integral sideshift (kg)
2-STAGE LIMITED FREE LIFT	3200	5	2195	3861 (5)	145	3000	2960
	3600	5	2395	4261 (5)	145	3000	2950
	4100	5	2745	4761 (5)	145	3000	2940
	4600	5	2995	5261 (5)	145	2920	2850
2-STAGE FULL FREE LIFT	3205	5	2195	3862 (5)	1535 (6)	3000	2960
	3905	5	2595	4562 (5)	1935 (6)	3000	2940
3-STAGE FULL FREE LIFT	4405	5	2845	5062 (5)	2185 (6)	2960	2900
	4610	5	2145	5252 (7)	1500 (8)	2970	2900
	4910	5	2295	5552 (7)	1650 (8)	2900	2830
	5210	5	2395	5852 (7)	1750 (8)	2840	2760
	5810	5	2645	6452 (7)	2000 (8)	2690	2600

J3.0XNL RATED CAPACITY KG @ 600 MM LOAD CENTRE

	Maximum fork height (TOF) h ₃ + s (mm)	Back tilt (°)	Lowered height h ₁ (mm)	Extended height h ₄ (mm)	Free lift (TOF) h ₂ + s (m)	Pneumatic Shape Solid Tyres	
						Without sideshift (kg)	With integral sideshift (kg)
2-STAGE LIMITED FREE LIFT	3200	5	2195	3861 (5)	145	2720	2680
	3600	5	2395	4261 (5)	145	2720	2670
	4100	5	2745	4761 (5)	145	2720	2660
	4600	5	2995	5261 (5)	145	2650	2580
2-STAGE FULL FREE LIFT	3205	5	2195	3862 (5)	1535 (6)	2720	2680
	3905	5	2595	4562 (5)	1935 (6)	2720	2660
3-STAGE FULL FREE LIFT	4405	5	2845	5062 (5)	2185 (6)	2680	2620
	4610	5	2145	5252 (5)	1500 (8)	2690	2620
	4910	5	2295	5552 (7)	1650 (8)	2630	2560
	5210	5	2395	5852 (7)	1750 (8)	2570	2500
	5810	5	2645	6452 (7)	2000 (8)	2440	2350

NOTE: To calculate truck capacities with alternative truck specifications to the ones shown in the above tables, please consult your Hyster dealer. The rated capacities shown are for masts in a vertical position on trucks equipped with standard or sideshift carriage and nominal length forks. Masts above the maximum fork heights shown in the mast table are classified as high lift and, depending on the tyre/tread configuration may require reduced capacity, restricted back tilt or wide tread.

(1) Add 666mm with load backrest extension.
 (2) Deduct 666mm with load backrest extension.
 (3) Add 684mm with load backrest extension.
 (4) Deduct 684mm with load backrest extension.
 (5) Add 583mm with load backrest extension.
 (6) Deduct 583mm with load backrest extension.
 (7) Add 601mm with load backrest extension.
 (8) Deduct 601mm with load backrest extension.

To calculate truck capacities with alternative truck specifications to the ones shown in the above tables, please use the World Wide Rating Program.

NOTES:

Specifications are affected by the condition of the vehicle and how it is equipped, as well as the nature and condition of the operating area. Inform your dealer of the nature and condition of the intended operating area when purchasing your Hyster® truck.

NOTICE:

Care must be exercised when handling elevated loads. Operators must be trained and must read, understand and follow the instructions contained in the Operating Manual.

All values are nominal values and they are subject to tolerances. For further information, please contact the manufacturer.

Hyster products are subject to change without notice.

Lift trucks illustrated may feature optional equipment. Values may vary with alternative configurations.

CERTIFICATION: Hyster lift trucks meet the design and construction requirements of B56.1-1969, per OSHA Section 1910.178(a)(2), and also comply with the B56.1 revision in effect at time of manufacture. Certification of compliance with the applicable ANSI standards appears on the lift truck. Performance specifications are for a truck equipped as described under Standard Equipment on this Technical Guide. Performance specifications are affected by the condition of the vehicle and how it is equipped, as well as by the nature, condition of the operating area, proper service and maintenance of the vehicle. If these specifications are critical, the proposed application should be discussed with your dealer.

NOTE: Specifications, unless otherwise listed, are for a standard truck without optional equipment.

Specification data is based on VDI 2198.



Safety: This truck conforms to the current EU, ANSI and UK CA requirements.

PERFORMANCE	STD	OPT
80 Volt	X	
Advance Performance	X	
Standard Construction	X	
Sealed Drive Axle, Belly Pan & Side Shields	X	
Advance: Low Noise Performance		X
Sub-Zero Freezer (-40° C to 30° C)		X
Outdoor Protection / Washdown Package		X
Advance+ Performance		X
Advance+: Low Noise Performance		X
System Monitoring Package	X	
Battery Removal without Rollers - Lift Out	X	
Hinged Door	X	
Removable Panels	X	
Side Extraction (Using Fork Pockets)		X
Side Extraction (Using Rollers)		X
Primary DC/DC Converter	X	
Auxiliary DC/DC Converter		X
Without Battery	X	
Battery Options		X
Without Charger	X	
Charger Options		X
DRIVE	STD	OPT
Integrated Directional Switch	X	
MONOTROL® Directional Control Pedal		X
Tyres - Super Elastic	X	
Tyres - Super Elastic - Non-Marking		X
Standard Tread	X	
Wide Tread		X
Steer Column with Infinitely Adjustable Tilt	X	
Telescopic Steering Column with Tilt Memory		X
Steering Wheel with Spinner Knob	X	
On Demand Power Steering	X	
On Demand Power Steering with Synchronous Steering		X
LIFT	STD	OPT
2 Stage Limited Free Lift Mast - Class II/III	X	
2 Stage Full Free Lift Mast - Class II/III		X
3 Stage Full Free Lift Mast - Class II/III		X
5° Forward / 5° Back Mast Tilt	X	
5° Forward / 4° Back Mast Tilt		X
HANDLING	STD	OPT
With Tilt Cylinder Boots	X	
Hook Type Standard Carriage - 1070mm	X	
Hook Type Integral Sideshift Carriage - 1070mm		X
Hook Type Integral Sideshift Carriage with Fork Positioner - 1070mm		X
Without Load Backrest	X	
1220mm High Load Backrest		X
Hook Type Standard Taper Forks - 1000mm	X	
Hook Type Standard Taper Forks - 1100mm	X	
Hook Type Standard Taper Forks - 1200mm	X	
3 Function (1 Auxiliary) Hydraulic Valve	X	
4 Function (2 Auxiliary) Hydraulic Valve		X
Manual Lever Hydraulic Controls	X	
Mini Lever Hydraulic Controls		X
Clamping Function		X
Return To Set Tilt Function		X
Without Hose Group	X	
3 Function Hose Group (1 Auxiliary)		X
4 Function Hose Group (2 Auxiliary)		X

VISIBILITY	STD	OPT
Audible Reverse Alarm		X
Amber Strobe Light - Ignition Activated		X
Without Lights	X	
Halogen Work Lights		X
Halogen Rear Lights		X
Halogen Rear Lights - Stop/Tail/Reverse		X
Halogen Rear Lights - Stop/Tail/Reverse/Turn		X
LED Work Lights		X
LED Rear Lights		X
LED Rear Lights - Stop/Tail/Reverse		X
LED Rear Lights - Stop/Tail/Reverse/Turn		X
ERGONOMICS	STD	OPT
Aftermarket Cabin Kit Ready Dash	X	
Overhead Guard - 2193mm/2297mm	X	
Front/Top Cabin Panels with Front Wiper Motor All Chassis		X
Steel Modular Cab with PVC Doors		X
Full Steel Cab		X
Heater and Demister		X
LED Dome / Reading Light		X
Dual Mirrors Side View		X
Panoramic Mirror		X
12V Outlet - automotive style socket on dash		X
Full Suspension Vinyl Seat	X	
Full Suspension Cloth Seat		X
Full Suspension Swivel Vinyl Seat		X
Full Suspension Swivel Cloth Seat		X
High Backrest Lumbar Support Vinyl Seat with Headrest		X
High Backrest Lumbar Support Cloth Seat with Headrest		X
Standard Seat Tilt	X	
HI VIS Red Seat Belt		X
HI VIS Red Seat Belt with Interlock		X
OPERATION	STD	OPT
Key Switch Start	X	
Key Switch Start with Operator Password		X
Keyless with Operator Password		X
Impact Sensor		X
Programmable Maintenance Reminder		X
Operator Pre-Shift Electronic Checklist		X
Two Battery Stands	X	
Conventional Battery Charge Truck Arrangement	X	
Gravity Feed Water Reservoir		X
Manual Filler Gun		X
Pressure Reduction Valve		X
Aquamatic Filling Trolley		X
Front Mud Guard and Rear Mud Shield		X
SUPPLEMENTAL	STD	OPT
12 Months / 2,000 Hours Manufacturer's Warranty	X	
36 Months / 6,000 Hours Extended Warranty		X
48 Months / 8,000 Hours Comprehensive Protection Plan		X
Literature Package	X	

All values are nominal values and they are subject to tolerances




HYSTER EUROPE
Centennial House, Building 4.5, Frimley Business Park,
Frimley, Surrey, GU16 7SG, United Kingdom

Visit us online at www.hyster.com or call us at **+44 (0) 1276 538500**.

HYSTER-YALE UK LIMITED trading as Hyster Europe.

Registered Address: Centennial House, Building 4.5, Frimley Business Park, Frimley, Surrey GU16 7SG, United Kingdom.

Registered in England and Wales. Company Registration Number: 02636775.

© HYSTER-YALE UK LIMITED. 2023, all rights reserved. Hyster and  are trademarks of Hyster-Yale Group, Inc.

Hyster products are subject to change without notice. Trucks may be shown with optional equipment.



Safety: This truck conforms to the current EU and UK CA requirements