

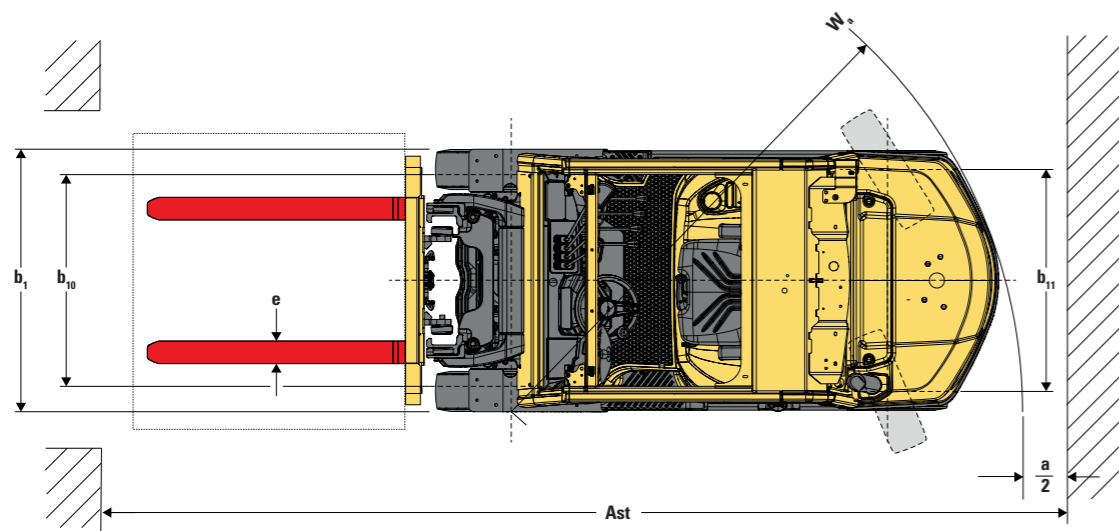
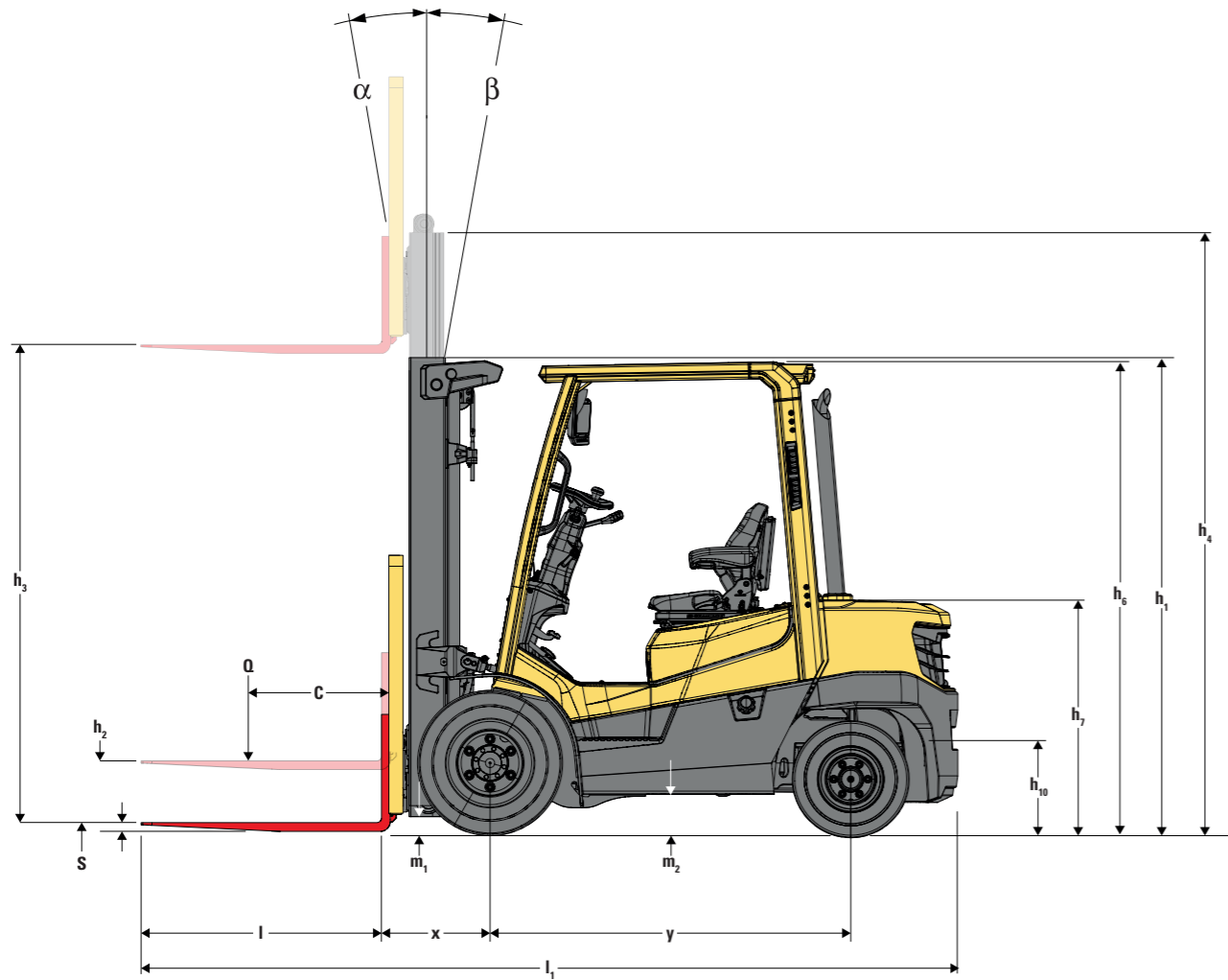
H2.0-3.5A SERIES



DIESEL AND LPG FORKLIFT TRUCKS
PRODUCT TECHNICAL GUIDE



WWW.HYSTER.COM



GENERAL	1.1	Manufacturer	HYSTER			
	1.2	Model designation	H2.0A			
	1.2.1	Engine	Yanmar 2.1L	Yanmar 3.0L	Yanmar 2.2L	
	1.2.2	CE compliance / Emission standards	Stage V	Tier III	Tier III & Stage V	
WEIGHT	1.2.3	Transmission	Electronic Powershift / Duramatch 1-Speed			
	1.2.4	Brake Type	Drum Brakes			
	1.3	Drive: electric (battery or mains), diesel, petrol, LPG	Diesel			
	1.4	Operator type: hand, pedestrian, standing, seated, order-picker	Seated			
	1.5	Rated capacity/rated load	Q	t	2.0	
	1.6	Load centre distance	c	mm	500	
	1.8	Load distance, centre of drive axle to fork	x	mm	470	
	1.9	Wheelbase	y	mm	1650	
	2.1	Service weight		kg	3613	
	WHEELS	2.2	Axle loading, laden front		kg	4981 / 632
2.3		Axle loading, unladen front		kg	1805 / 1808	
3.1		Tyres: P = Pneumatic, V = Solid, SE = Super Elastic			SE	
3.2		Tyre size, front			7.00 X 12	
3.3		Tyre size, rear			6.00 X 9	
3.5		Number of wheels, front/rear (X = driven)			2x / 2	
3.6		Tread, front	b10	mm	983	
3.7		Tread, rear	b11	mm	958	
DIMENSIONS		4.1	Tilt of mast / fork carriage forward / backward	α / β	(°)	6 / 6
		4.2	Height, mast lowered	h1	mm	2570
	4.3	Free lift (1)	h2	mm	50	
	4.4	Lift (1)	h3	mm	3900	
	4.5	Height, mast extended (2)	h4	mm	4500	
	4.7	Height of overhead guard	h6	mm	2160	
	4.8	Seat height relating to SIP/stand height (3)	h7	mm	1145	
	4.12	Coupling height	h10	mm	440	
	4.19	Overall length	l1	mm	3534	
	4.20	Length to face of forks	l2	mm	2534	
	4.21	Overall width (single / wide / dual)	b1	mm	1160 / 1280 / 1542	
	4.22	Fork dimensions DIN ISO 2331	s/e/l	mm	40 X 100 X 1000	
	4.23	Fork carriage ISO 2328, class/type A, B			II A	
	4.24	Fork carriage width (4)	b3	mm	1070	
	4.31	Ground clearance, laden, below mast	m1	mm	130	
	4.32	Ground clearance, centre of wheelbase	m2	mm	160	
	4.34.1	Aisle width for pallets 1000 x 1200 crossways	Ast	mm	3861	
	4.34.2	Aisle width for pallets 800 x 1200 lengthways	Ast	mm	4061	
	PERFORMANCE	4.35	Turning radius	Wa	mm	2191
		4.36	Internal turning radius	b13	mm	640
4.41		90° intersecting aisle (with pallet W = 1200mm, L = 1000mm)			2018	
4.42		Step height (from ground to running board)		mm	440	
4.43		Step height (between intermediate steps between running board and floor)		mm	250	
5.1		Travel speed, laden/unladen	km/h	18.5 / 18.7	7.5 / 17.8	
5.1.1		Travel speed, laden/unladen, backwards	km/h	18.8 / 19.0	17.7 / 18.1	
5.2		Lift speed, laden/unladen (5)	m/s	0.61 / 0.65	0.6 / 0.65	
5.3		Lowering speed, laden/unladen	m/s	0.58 / 0.5	0.58 / 0.49	
5.5		Drawbar pull, laden (6)	N	15917	17304	
COMBUSTION ENGINE	5.7	Gradeability, laden/unladen (7)	%	30 / 30	29 / 30	
	5.9	Acceleration time, laden/unladen (to 15m)	s	5.2 / 4.7	5.05 / 4.48	
	5.10	Service brake			Hydraulic	
	7.1	Engine manufacturer / type		Yanmar / 4TNV86CT	Yanmar / 4TNE94L	
	7.2	Engine power according to ISO 1585	Kw	36.6	34.1	
	7.3	Rated speed	min-1	2500	2200	
	7.3.1	Torque at 1 / min	(N-m/min)	167 / 1625	162 / 1500	
	7.4	Number of cylinders/displacement	(-) / (cm³)	4 / 2091	4 / 3053	
	7.5	Fuel consumption according to VDI 2198 (CDP/VDP)	ℓ/h or kg/h	2.5 / 2.3	3.15 / 2.72	
	ADDITIONAL DATA	7.5.1	Fuel consumption according to VDI EN16796 (CDP/VDP)	ℓ/h or kg/h	2.1 / 2.0	2.81 / 2.42
7.6		Turnover output (Power / ECO)	(1 / h)	92 / 83	N/A	
8.1		Type of drive unit			Automatic	
10.1		Operating pressure for attachments	bar		180	
10.2		Oil volume for attachments (8)	l/min		60	
10.3		Hydraulic oil tank, capacity	l	34.2	40.6	
10.4		Fuel tank, capacity	l	39.9	39.9	
10.7		Sound pressure level at the driver's seat (9)	dB (A)	78	82	
10.7.1	Guaranteed sound power 2001 / 14 / EC	dB (A)	101	N/A		
10.8	Towing coupling type			Pin		

(1) = Top of forks. (2) = Without load backrest. (3) = Full suspension seat to manufacturers SIP. (4) = Add 32mm with load backrest. (5) = Constant displacement hydraulic pump (CDP). (6) = At 1.6km/h. (7) = At 4.8km/h. (8) = Variable. (9) = LPAZ, measured according to the test cycles and based on the weighting values contained in EN12053. Spec sheet truck based on: 3290mm(H2.0-2.5 A) / 3105mm (H3.0-3.5 A) TOF 2 stage LFL Mast with standard carriage, 1000 mm forks with manual levers.

CERTIFICATION: Hyster lift trucks meet the design and construction requirements of B56.1-1969, per OSHA Section 1910.178(a)(2), and also comply with the B56.1 revision in effect at time of manufacture. Certification of compliance with the applicable ANSI standards appears on the lift truck. Performance specifications are for a truck equipped as described under Standard Equipment on this technical guide. Performance specifications are affected by the condition of the vehicle and how it is equipped, as well as by the nature, condition of the operating area, proper service and maintenance of the vehicle. If these specifications are critical, the proposed application should be discussed with your dealer.

H2.5A DIESEL/LPG SPECIFICATIONS

GENERAL	1.1		HYSTER		
	1.2		H2.5A		
GENERAL	1.2.1		Yanmar 2.1L	Yanmar 3.0L	Yanmar 2.2L
	1.2.2		Stage V	Tier III	Tier III & Stage V
GENERAL	1.2.3		Electronic Powershift / Duramatch 1-Speed		
	1.2.4		Drum Brakes		
GENERAL	1.3		Diesel	LPG	
	1.4		Seated		
GENERAL	1.5		Q	t	2.5
	1.6		c	mm	500
GENERAL	1.8		x	mm	470
	1.9		y	mm	1650
WEIGHT	2.1			kg	3990
	2.2			kg	5698 / 792
WEIGHT	2.3			kg	1728 / 2262
	3.1		SE		
WEIGHT	3.2				7.00 X 12
	3.3				6.00 X 9
WEIGHT	3.5		2x / 2		
	3.6		b10	mm	983
WEIGHT	3.7		b11	mm	958
	4.1		α / β	($^{\circ}$)	6 / 6
WEIGHT	4.2		h1	mm	2570
	4.3		h2	mm	50
WEIGHT	4.4		h3	mm	3900
	4.5		h4	mm	4500
WEIGHT	4.7		h6	mm	2160
	4.8		h7	mm	1145
WEIGHT	4.12		h10	mm	440
	4.19		l1	mm	3610
WEIGHT	4.20		l2	mm	2610
	4.21		b1	mm	1160 / 1280 / 1542
WEIGHT	4.22		s/e/l	mm	40 X 100 X 1000
	4.23				II A
WEIGHT	4.24		b3	mm	1070
	4.31		m1	mm	130
WEIGHT	4.32		m2	mm	160
	4.34.1		Ast	mm	3933
WEIGHT	4.34.2		Ast	mm	4133
	4.35		Wa	mm	2263
WEIGHT	4.36		b13	mm	640
	4.41		90° intersecting aisle (with pallet W = 1200mm, L = 1000mm)		
WEIGHT	4.42		Step height (from ground to running board)		
	4.43		Step height (between intermediate steps between running board and floor)		
WEIGHT	5.1		km/h	18.4 / 18.7	17.3 / 17.8
	5.1.1		km/h	18.7 / 19.0	17.6 / 18.1
WEIGHT	5.2		m/s	0.60 / 0.65	0.59 / 0.65
	5.3		m/s	0.58 / 0.50	0.58 / 0.49
WEIGHT	5.5		N	15758	17145
	5.7		%	26 / 26	24 / 26
WEIGHT	5.9		s	5.5 / 4.8	5.27 / 4.88
	5.10		Hydraulic		
WEIGHT	7.1		Yanmar / 4TNV86CT	Yanmar / 4TNE94L	Yanmar / 4TN88G/GN
	7.2		Kw	36.6	34.1
WEIGHT	7.3		min-1	2500	2500
	7.3.1		(N-m/min)	167 / 1625	162 / 1500
WEIGHT	7.4		(-) / (cm ³)	4 / 2091	4 / 2190
	7.5		l/h or kg/h	2.9 / 2.7	3.52 / 3.14
WEIGHT	7.5.1		l/h or kg/h	2.5 / 2.3	3.14 / 2.8
	7.6		(1 / h)	92 / 83	NA
WEIGHT	8.1		Automatic		
	10.1		bar		
WEIGHT	10.2		l/min		
	10.3		l	34.2	40.6
WEIGHT	10.4		l	39.9	NA
	10.7		dB (A)	78	82
WEIGHT	10.7.1		dB (A)	101	NA
	10.8		Pin		

(1) = Top of forks. (2) = Without load backrest. (3) = Full suspension seat to manufacturers SIP. (4) = Add 32mm with load backrest. (5) = Constant displacement hydraulic pump (CDP). (6) = At 1.6km/h. (7) = At 4.8km/h. (8) = Variable. (9) = LPAZ, measured according to the test cycles and based on the weighting values contained in EN12053. *Spec sheet truck based on:- 3290mm (H2.0-2.5 A) / 3105mm (H3.0-3.5 A) TOF 2 stage LFL Mast with standard carriage, 1000 mm forks with manual levers.*

CERTIFICATION: Hyster lift trucks meet the design and construction requirements of B56.1-1969, per OSHA Section 1910.178(a)(2), and also comply with the B56.1 revision in effect at time of manufacture. Certification of compliance with the applicable ANSI standards appears on the lift truck. Performance specifications are for a truck equipped as described under Standard Equipment on this technical guide. Performance specifications are affected by the condition of the vehicle and how it is equipped, as well as by the nature, condition of the operating area, proper service and maintenance of the vehicle. If these specifications are critical, the proposed application should be discussed with your dealer.

H2.5A6 DIESEL/LPG SPECIFICATIONS

GENERAL	1.1		HYSTER		
	1.2		H2.5A6		
GENERAL	1.2.1		Yanmar 2.1L	Yanmar 3.3L	Yanmar 2.2L
	1.2.2		Stage V	Tier III	Tier III & Stage V
GENERAL	1.2.3		Electronic Powershift / Duramatch 1-Speed		
	1.2.4		Drum Brakes		
GENERAL	1.3		Diesel	LPG	
	1.4		Seated		
GENERAL	1.5		Q	t	2.5
	1.6		c	mm	600
GENERAL	1.8		x	mm	495
	1.9		y	mm	1700
WEIGHT	2.1			kg	4292
	2.2			kg	5900 / 921
WEIGHT	2.3			kg	1778 / 2514
	3.1		SE		
WEIGHT	3.2				28 X 9 - 15
	3.3				6.5 X 10
WEIGHT	3.5		2x / 2		
	3.6		b10	mm	959
WEIGHT	3.7		b11	mm	958
	4.1		α / β	($^{\circ}$)	6 / 6
WEIGHT	4.2		h1	mm	2592
	4.3		h2	mm	50
WEIGHT	4.4		h3	mm	3900
	4.5		h4	mm	4500
WEIGHT	4.7		h6	mm	2182
	4.8		h7	mm	1167
WEIGHT	4.12		h10	mm	452
	4.19		l1	mm	3714
WEIGHT	4.20		l2	mm	2714
	4.21		b1	mm	1186 / 1353 / 1545
WEIGHT	4.22		s/e/l	mm	50 X 120 X 1000
	4.23				II A
WEIGHT	4.24		b3	mm	1070
	4.31		m1	mm	152
WEIGHT	4.32		m2	mm	182
	4.34.1		Ast	mm	4027
WEIGHT	4.34.2		Ast	mm	4227
	4.35		Wa	mm	2333
WEIGHT	4.36		b13	mm	660
	4.41		90° intersecting aisle (with pallet W = 1200mm, L = 1000mm)		
WEIGHT	4.42		Step height (from ground to running board)		
	4.43		Step height (between intermediate steps between running board and floor)		
WEIGHT	5.1		km/h	18.5 / 18.7	
	5.1.1		km/h	18.8 / 19.0	
WEIGHT	5.2		m/s	0.60 / 0.65	0.58 / 0.65
	5.3		m/s	0.58 / 0.50	0.58 / 0.49
WEIGHT	5.5		N	19314	20021
	5.7		%	30 / 25	31 / 25
WEIGHT	5.9		s	5.2 / 4.7	5.11 / 4.52
	5.10		Hydraulic		
WEIGHT	7.1		Yanmar / 4TNV86CT	Yanmar / 4TNE94L	Yanmar / 4TN88G/GN
	7.2		Kw	44	42.4
WEIGHT	7.3		min-1	2500	2500
	7.3.1		(N-m/min)	202 / 1675	200 / 1700
WEIGHT	7.4		(-) / (cm ³)	4 / 2091	4 / 3319
	7.5		l/h or kg/h	2.8 / 2.6	3.79 / 3.41
WEIGHT	7.5.1		l/h or kg/h	2.3 / 2.2	3.37 / 3.04
	7.6		(1 / h)	92 / 83	NA
WEIGHT	8.1		Automatic		
	10.1		bar		
WEIGHT	10.2		l/min		
	10.3		l	34.2	40.6
WEIGHT	10.4		l	39.9	NA
	10.7		dB (A)	79	82
WEIGHT	10.7.1		dB (A)	101	NA
	10.8		Pin		

(1) = Top of forks. (2) = Without load backrest. (3) = Full suspension seat to manufacturers SIP. (4) = Add 32mm with load backrest. (5) = Constant displacement hydraulic pump (CDP). (6) = At 1.6km/h. (7) = At 4.8km/h. (8) = Variable. (9) = LPAZ, measured according to the test cycles and based on the weighting values contained in EN12053. *Spec sheet truck based on:- 3290mm (H2.0-2.5 A) / 3105mm (H3.0-3.5 A) TOF 2 stage LFL Mast with standard carriage, 1000 mm forks with manual levers.*

CERTIFICATION: Hyster lift trucks meet the design and construction requirements of B56.1-1969, per OSHA Section 1910.178(a)(2), and also comply with the B56.1 revision in effect at time of manufacture. Certification of compliance with the applicable ANSI standards appears on the lift truck. Performance specifications are for a truck equipped as described under Standard Equipment on this technical guide. Performance specifications are affected by the condition of the vehicle and how it is equipped, as well as by the nature, condition of the operating area, proper service and maintenance of the vehicle. If these specifications are critical, the proposed application should be discussed with your dealer.

H3.0A DIESEL/LPG SPECIFICATIONS

GENERAL	1.1		HYSTER		
	1.2		H3.0A		
GENERAL	1.2.1		Yanmar 2.1L	Yanmar 3.3L	Yanmar 2.2L
	1.2.2		Stage V	Tier III	Tier III & Stage V
GENERAL	1.2.3		Electronic Powershift / Duramatch 1-Speed		
	1.2.4		Drum Brakes		
GENERAL	1.3		Diesel		LPG
	1.4		Seated		
GENERAL	1.5		3.0		
	1.6		500		
GENERAL	1.8		495		
	1.9		1700		
WEIGHT	2.1		4642		
	2.2		6635 / 1007		
WEIGHT	2.3		1880 / 2762		
	3.1		SE		
WHEELS	3.2		28 X 9 - 15		
	3.3		6.5 X 10		
WHEELS	3.5		2x / 2		
	3.6		959		
WHEELS	3.7		958		
	4.1		6 / 6		
DIMENSIONS	4.2		2692		
	4.3		50		
DIMENSIONS	4.4		3880		
	4.5		4552		
DIMENSIONS	4.7		2182		
	4.8		1167		
DIMENSIONS	4.12		462		
	4.19		3746		
DIMENSIONS	4.20		2746		
	4.21		1186 / 1353 / 1545		
DIMENSIONS	4.22		50 X 120 X 1000		
	4.23		III A		
DIMENSIONS	4.24		1070		
	4.31		152		
DIMENSIONS	4.32		182		
	4.34.1		4069		
DIMENSIONS	4.34.2		4269		
	4.35		2374		
DIMENSIONS	4.36		660		
	4.41		2110		
DIMENSIONS	4.42		462		
	4.43		250		
PERFORMANCE	5.1		18.4 / 18.6		
	5.1.1		18.7 / 18.9		
PERFORMANCE	5.2		0.56 / 0.61	0.51 / 0.57	0.56 / 0.61
	5.3		0.58 / 0.53		
PERFORMANCE	5.5		19160	19867	16766
	5.7		26 / 24	27 / 24	23 / 24
PERFORMANCE	5.9		5.3 / 4.7	5.24 / 4.53	5.2 / 4.5
	5.10		Hydraulic		
COMBUSTION ENGINE	7.1		Yanmar / 4TNV86CHT	Yanmar 4TNE98	Yanmar / 4TN88G/GN
	7.2		44		
COMBUSTION ENGINE	7.3		2500		
	7.3.1		202 / 1675		
COMBUSTION ENGINE	7.4		4 / 3319		
	7.5		4.26 / 3.84		
COMBUSTION ENGINE	7.5.1		3.2 / 2.9		
	7.6		2.8 / 2.6		
COMBUSTION ENGINE	7.6		NA		
	8.1		95 / 84		
ADDITIONAL DATA	8.1		Automatic		
	10.1		180		
ADDITIONAL DATA	10.2		60		
	10.3		40.6		
ADDITIONAL DATA	10.4		39.9		
	10.7		82		
ADDITIONAL DATA	10.7.1		77		
	10.8		101		
ADDITIONAL DATA	10.8		NA		
	10.8		101		
ADDITIONAL DATA	10.8		Pin		
	10.8		Pin		

(1) = Top of forks. (2) = Without load backrest. (3) = Full suspension seat to manufacturers SIP. (4) = Add 32mm with load backrest. (5) = Constant displacement hydraulic pump (CDP). (6) = At 1.6km/h. (7) = At 4.8km/h. (8) = Variable. (9) = LPAZ, measured according to the test cycles and based on the weighting values contained in EN12053. *Spec sheet truck based on-* 3290mm (H2.0-2.5 A) / 3105mm (H3.0-3.5 A) TOF 2 stage LFL Mast with standard carriage, 1000 mm forks with manual levers.

CERTIFICATION: Hyster lift trucks meet the design and construction requirements of B56.1-1969, per OSHA Section 1910.178(a)(2), and also comply with the B56.1 revision in effect at time of manufacture. Certification of compliance with the applicable ANSI standards appears on the lift truck. Performance specifications are for a truck equipped as described under Standard Equipment on this technical guide. Performance specifications are affected by the condition of the vehicle and how it is equipped, as well as by the nature, condition of the operating area, proper service and maintenance of the vehicle. If these specifications are critical, the proposed application should be discussed with your dealer.

H3.5A DIESEL/LPG SPECIFICATIONS

GENERAL	1.1		HYSTER		
	1.2		H3.5A		
GENERAL	1.2.1		Yanmar 2.1L	Yanmar 3.3L	Yanmar 2.2L
	1.2.2		Stage V	Tier III	Tier III & Stage V
GENERAL	1.2.3		Electronic Powershift / Duramatch 1-Speed		
	1.2.4		Drum Brakes		
GENERAL	1.3		Diesel		LPG
	1.4		Seated		
GENERAL	1.5		3.5		
	1.6		500		
GENERAL	1.8		495		
	1.9		1700		
WEIGHT	2.1		4910		
	2.2		7230 / 1180		
WEIGHT	2.3		1683 / 3227		
	3.1		SE		
WHEELS	3.2		28 X 9 - 15		
	3.3		6.5 X 10		
WHEELS	3.5		2x / 2		
	3.6		959		
WHEELS	3.7		958		
	4.1		6 / 6		
DIMENSIONS	4.2		2692		
	4.3		50		
DIMENSIONS	4.4		3880		
	4.5		4552		
DIMENSIONS	4.7		2182		
	4.8		1167		
DIMENSIONS	4.12		462		
	4.19		3813		
DIMENSIONS	4.20		2813		
	4.21		1186 / 1353 / 1545		
DIMENSIONS	4.22		50 X 120 X 1000		
	4.23		III A		
DIMENSIONS	4.24		1070		
	4.31		152		
DIMENSIONS	4.32		182		
	4.34.1		4144		
DIMENSIONS	4.34.2		4344		
	4.35		2449		
DIMENSIONS	4.36		660		
	4.41		2149		
DIMENSIONS	4.42		462		
	4.43		250		
PERFORMANCE	5.1		18.4 / 18.6		
	5.1.1		18.7 / 18.9		
PERFORMANCE	5.2		0.56 / 0.61	0.50 / 0.57	0.56 / 0.61
	5.3		0.58 / 0.53		
PERFORMANCE	5.5		19021	19728	16626
	5.7		24 / 20	25 / 20	21 / 20
PERFORMANCE	5.9		5.5 / 4.8	5.42 / 4.59	5.3 / 4.6
	5.10		Hydraulic		
COMBUSTION ENGINE	7.1		Yanmar / 4TNV86CHT	Yanmar 4TNE98	Yanmar / 4TN88G/GN
	7.2		44		
COMBUSTION ENGINE	7.3		2500		
	7.3.1		202 / 1675		
COMBUSTION ENGINE	7.4		4 / 3319		
	7.5		4.80 / 4.34		
COMBUSTION ENGINE	7.5.1		3.5 / 3.2		
	7.6		2.8 / 2.6		
COMBUSTION ENGINE	7.6		NA		
	8.1		95 / 84		
ADDITIONAL DATA	8.1		Automatic		
	10.1		180		
ADDITIONAL DATA	10.2		60		
	10.3		40.6		
ADDITIONAL DATA	10.4		39.9		
	10.7		82		
ADDITIONAL DATA	10.7.1		77		
	10.8		101		
ADDITIONAL DATA	10.8		NA		
	10.8		101		
ADDITIONAL DATA	10.8		Pin		
	10.8		Pin		

(1) = Top of forks. (2) = Without load backrest. (3) = Full suspension seat to manufacturers SIP. (4) = Add 32mm with load backrest. (5) = Constant displacement hydraulic pump (CDP). (6) = At 1.6km/h. (7) = At 4.8km/h. (8) = Variable. (9) = LPAZ, measured according to the test cycles and based on the weighting values contained in EN12053. *Spec sheet truck based on-* 3290mm (H2.0-2.5 A) / 3105mm (H3.0-3.5 A) TOF 2 stage LFL Mast with standard carriage, 1000 mm forks with manual levers.

CERTIFICATION: Hyster lift trucks meet the design and construction requirements of B56.1-1969, per OSHA Section 1910.178(a)(2), and also comply with the B56.1 revision in effect at time of manufacture. Certification of compliance with the applicable ANSI standards appears on the lift truck. Performance specifications are for a truck equipped as described under Standard Equipment on this technical guide. Performance specifications are affected by the condition of the vehicle and how it is equipped, as well as by the nature, condition of the operating area, proper service and maintenance of the vehicle. If these specifications are critical, the proposed application should be discussed with your dealer.

H3.5A RATED CAPACITY @ 500MM LOAD CENTRE

	Maximum Fork Lift (mm)	Lowered height (mm)	Extended Height without LBR (mm)	Extended Height with 1220 LBR (mm)	Free Lift Height with LBR (mm)	Back tilt (°)	Capacities (kg) @ 500mm Load Centre			
							Pneumatic Shaped Solid Tyres		Pneumatic Radial Tyres	
							Without sideshift (kg)	With sideshift + Fork Positioner (kg)	Without sideshift (kg)	With sideshift + Fork Positioner (kg)
2-STAGE LIMITED FREE LIFT	2980	2142	3662	4198	50	6	3500	3460	3500	3460
	3280	2292	3962	4498	50	6	3500	3460	3500	3460
	3380	2342	4062	4598	50	6	3500	3450	3500	3450
	3580	2442	4262	4798	50	6	3500	3450	3500	3450
	3880	2692	4562	5098	50	6	3500	3440	3500	3440
	4180	2842	4862	5398	50	6	3500	3430	3500	3430
	4480	2992	5162	5698	50	6	3430	3300	3430~	3300~
	4780	3242	5462	5998	50	6	3360	3220	3360~	3220~
	5480	3592	6162	6698	50	6	3170~	3040~	3160~	3030~
	5880	3892	6562	7098	50	6	3040~	2920~	2760~	2770~
2-STAGE FULL FREE LIFT	3000	2092	3684	4224	1362	6	3500	3420	3500	3420
	3200	2192	3884	4424	1462	6	3500	3420	3500	3420
	3500	2342	4184	4724	1612	6	3500	3410	3500	3410
	3700	2442	4384	4924	1712	6	3500	3410	3500	3410
	4000	2642	4684	5224	1912	6	3500	3400	3500	3400
	4500	2892	5184	5724	2162	6	3430	3320	3430~	3320~
	5000	3192	5684	6224	2462	6	3310	3190	3310~	3190~
	5400	3392	6084	6624	2662	6	3200~	3080~	3190~	3080~
	4020	2042	4690	5238	1320	6	3500	3390	3500~	3390~
	4320	2092	4990	5538	1370	6	3460	3360	3460~	3360~
3-STAGE FULL FREE LIFT	4620	2192	5290	5838	1470	6	3400~	3290~	3390~	3290~
	4920	2342	5590	6138	1620	6	3330~	3210~	3050~	3060~
	5520	2592	6190	6738	1870	6	3070~	3050~	2460~	2450~
	6120	2842	6790	7338	2120	6	2480~	2480~	1950~	1930~
	6570	3042	7240	7788	2320	6	2830*	2730*	1590~	1580~
	7020	3192	7690	8238	2470	6	2640*	2570*	1310~	1280~

~ Wide tread specification. * Dual tread specification.

H3.5A RATED CAPACITY @ 600MM LOAD CENTRE

	Maximum Fork Lift (mm)	Lowered height (mm)	Extended Height without LBR (mm)	Extended Height with 1220 LBR (mm)	Free Lift Height with LBR (mm)	Back tilt (°)	Capacities (kg) @ 500mm Load Centre			
							Pneumatic Shaped Solid Tyres		Pneumatic Radial Tyres	
							Without sideshift (kg)	With sideshift + Fork Positioner (kg)	Without sideshift (kg)	With sideshift + Fork Positioner (kg)
2-STAGE LIMITED FREE LIFT	2980	2142	3662	4198	50	6	3280	3150	3280	3150
	3280	2292	3962	4498	50	6	3270	3150	3270	3150
	3380	2342	4062	4598	50	6	3270	3150	3270	3150
	3580	2442	4262	4798	50	6	3270	3140	3270	3140
	3880	2692	4562	5098	50	6	3250	3130	3250	3130
	4180	2842	4862	5398	50	6	3250	3070	3190	3070
	4480	2992	5162	5698	50	6	3130	3010	3130~	3010
	4780	3242	5462	5998	50	6	3050	2940	3050~	2930~
	5480	3592	6162	6698	50	6	2880	2770	2870~	2760~
	5880	3892	6562	7098	50	6	2760~	2660~	2760~	2650~
2-STAGE FULL FREE LIFT	3000	2092	3684	4224	1362	6	3220	3110	3220	3110
	3200	2192	3884	4424	1462	6	3220	3110	3220	3110
	3500	2342	4184	4724	1612	6	3210	3110	3210	3110
	3700	2442	4384	4924	1712	6	3210	3100	3210	3100
	4000	2642	4684	5224	1912	6	3200	3090	3200	3090
	4500	2892	5184	5724	2162	6	3130	3020	3090	3020
	5000	3192	5684	6224	2462	6	3010	2910	3000~	2900~
	5400	3392	6084	6624	2662	6	2910	2810	2900~	2800~
	4020	2042	4690	5238	1320	6	3190	3090	3190~	3090~
	4320	2092	4990	5538	1370	6	3160	3060	3160~	3060~
3-STAGE FULL FREE LIFT	4620	2192	5290	5838	1470	6	3100	3000	3090~	2990~
	4920	2342	5590	6138	1620	6	3020~	2880	3020~	2920~
	5520	2592	6190	6738	1870	6	2870~	2770~	2480~	2470~
	6120	2842	6790	7338	2120	6	2530~	2530~	1980~	1970~
	6570	3042	7240	7788	2320	6	2570*	2480*	1640~	1620~
	7020	3192	7690	8238	2470	6	2420*	2340*	1340~	1310~

~ Wide tread specification. * Dual tread specification.

PERFORMANCE	STD	OPT	LIFT	STD	OPT
Yanmar 2.2L LPG Tier III		X	2 Stage Limited Free Lift Mast – Class II/III	X	
Yanmar 2.2L Dual Fuel Tier III		X	2 Stage Full Free Lift Mast – Class II/III		X
Yanmar 3.0L Diesel Tier III		X	3 Stage Full Free Lift Mast – Class II/III		X
Yanmar 3.3L Diesel Tier III		X	2 Stage Limited Free Lift Mast - Class III - 3.0t	X	
Yanmar 2.1L DPF (37 kW) Diesel		X	2 Stage Full Free Lift Mast - Class III - 3.0t		X
Yanmar 2.1L DPF with CAC (44 kW) Diesel		X	3 Stage Full Free Lift Mast - Class III - 3.0t		X
Yanmar 2.2L LPG Stage V		X	6° Forward / 6° Back Mast Tilt	X	
Powershift Transmission	X		10° Forward / 6° Back Mast Tilt		X
Duramatch Transmission		X	Standard Displacement Hydraulic Pump	X	
Drum Brakes	X		On Demand Hydraulic Pump (VDP)		X
Oil immersed brakes		X	HANDLING	STD	OPT
Standard (-20° C to 40° C) Environmental construction	X		Hook Type Standard Carriage - 1070mm	X	
High Air Intake	X		Hook Type Standard Carriage - 1220mm		X
Heavy duty air intake and pre-cleaner options		X	Hook Type Integral Sideshift Carriage - 1070mm		X
Internal Air Intake		X	Hook Type Integral Sideshift Carriage - 1220mm		X
Fixed LPG bracket with Fabric strap		X	Hook Type Integral Sideshifting Fork Positioner - 1070mm		X
Swing Out and Drop Down LPG bracket with Fabric Strap		X	Hook Type Integral Sideshifting Fork Positioner - 1220mm		X
LPG tank bracket interlock		X	Type Standard Taper Forks 1000mm	X	
Integrated Fuel Level Sensor	X		Type Standard Taper Forks 1100mm		X
On-demand cooling system		X	Hook Type Standard Taper Forks 1200mm		X
Low Exhaust		X	Without Load backrest		X
Overhead Exhaust		X	1220mm High Load Backrest	X	
System monitoring package		X	915mm High Load Backrest		X
Premium monitoring package		X	915mm High Load Backrest Drop Centre		X
Powertrain Protection with engine shutdown		X	1524mm High Load Backrest		X
Radiator Screen		X	Tilt Cylinder Boots		X
Exhaust wraps		X	Hydraulic Accumulator		X
Empty seat engine shutdown		X	Manual Lever Hydraulic Control	X	
Belly screen		X	Mini Lever Hydraulic Control		X
High capacity starter battery		X	Joystick hydraulic control		X
Tie downs		X	High temperature hydraulic fluid		X
DRIVE	STD	OPT	Clamping function		X
Single pedal inch brake	X		Return to set tilt function		X
Dual brake pedal		X	2 Function (0 Auxiliary) Hydraulic Valve	X	
Tyres - Super Elastic	X		3 Function (1 Auxiliary) Hydraulic Valve		X
Tyres - Super Elastic - Premium		X	4 Function (2 Auxiliary) Hydraulic Valve		X
Tyres - Super Elastic - Premium - Non Marking		X	Fork Laser Positioning System		X
Tyres - Pneumatic Radial - Premium		X	Height Selector		X
Tyres - Pneumatic - Premium		X	Load Weight Display		X
Wide tread tyres		X	Attachment extension tubes and quick disconnects		X
Dual tread tyres		X	VISIBILITY	STD	OPT
Steer Column with Tilt and Telescope		X	Top wiper		X
Steering Column Mounted Directional Control	X		Spot light activation continuous / directional		X
Steering Wheel with Spinner Knob	X		Dual Side View Mirrors		X
Steer Column with Infinitely Adjustable Tilt	X		Panoramic Mirror		X
On Demand Power Steering	X		LED Work lights		X
On demand Power Steering with Synchronous Steering		X	High Performance LED Work lights		X

STANDARD AND OPTIONAL EQUIPMENT (CONTINUED)

VISIBILITY (continued)	STD	OPT	OPERATION	STD	OPT
Rear reflector	X		Traction speed limiters		X
LED Rear light package Brake/Tail/Backup		X	Seat belt Hi-Vis interlocking		X
LED Rear light package Brake/Tail/Backup/Turn		X	Key Switch Start	X	
LED Rear light package Brake/Tail/Backup/Turn/Hazards		X	Keyless with Operator password start		X
Switch Activated Strobe Light		X	Engine driven cooling	X	
Audible Reverse Alarm		X	Travel speed Alarm		X
Forward and Reverse Alarm		X	Battery disconnect		X
LED Mast Mounted lights		X	Front Mud Guards		X
Blue LED Pedestrian Awareness Spotlights		X	Drive axle string cutter		X
Red LED Pedestrian Awareness Perimeter Lines		X	Standard Seat Belt	X	
Rear View Camera System Integrated in 178mm Colour Display		X	Hi VIS Red Seat Belt		X
ERGONOMICS	STD	OPT	Telemetry Prepared		X
Monitor mount	X		Dynamic Stability System		X
2" Display only for Non Regulated	X		Speed Reduction in Corners		X
Rectangular guard		X	Seat Side Direction Control		X
Operator fan		X	Foot Direction Control		X
Beverage holder		X	Hyster Tracker Wireless Monitoring		X
RF handheld scanner holder		X	Hyster Tracker Wireless Access		X
Mobile phone holder		X	Hyster Tracker Wireless Verification		X
Starter battery dongle		X	APPEARANCE	STD	OPT
Engine block heater		X	Hyster yellow paint base truck	X	
Stretch film roll holder		X	Special paint base truck		X
Rectangular guard for non regulated	X		SUPPLEMENTAL	STD	OPT
Polycarbonate rain top Non Regulated		X	24 Months / 4,000 Hours Warranty	X	
Figure 8 Tube Over Head Guard		X	36 Months / 6,000 Hours Warranty		X
Grid Style Overhead Guard		X	Literature package	X	
Clear View Overhead Guard		X			
Cabin Options (Partial, PVC, Steel Doors)		X			
High Specification Cabin		X			
Rear Drive Handle with Horn Button		X			
Console Tray	X				
127mm / 5" Colour Touchscreen Display		X			
178mm / 7" Colour Touchscreen Display		X			
Full Suspension Vinyl Seat	X				
Full Suspension Cloth Seat	X				
Full Suspension Vinyl Seat - Value		X			
Air Ride Full Suspension Vinyl Seat		X			
Air Ride Full Suspension Cloth Seat		X			
Full suspension seat - Low profile		X			
Sun Shades (top and / or front)		X			
Air Conditioning		X			
Accessory Mounting Post and options		X			
12v Aux supply		X			
12v Supply with twin USB charging sockets		X			






HYSTER EUROPE
Centennial House, Building 4.5, Frimley Business Park,
Frimley, Surrey, GU16 7SG, United Kingdom

Visit us online at www.hyster.com or call us at **+44 (0) 1276 538500**.

HYSTER-YALE UK LIMITED trading as Hyster Europe.

Registered Address: Centennial House, Building 4.5, Frimley Business Park, Frimley, Surrey GU16 7SG, United Kingdom.

Registered in England and Wales. Company Registration Number: 02636775.

© HYSTER-YALE UK LIMITED. 2023, all rights reserved. Hyster and  are trademarks of Hyster-Yale Group, Inc.

Hyster products are subject to change without notice. Trucks may be shown with optional equipment.



Safety: This truck conforms to the current EU requirements