

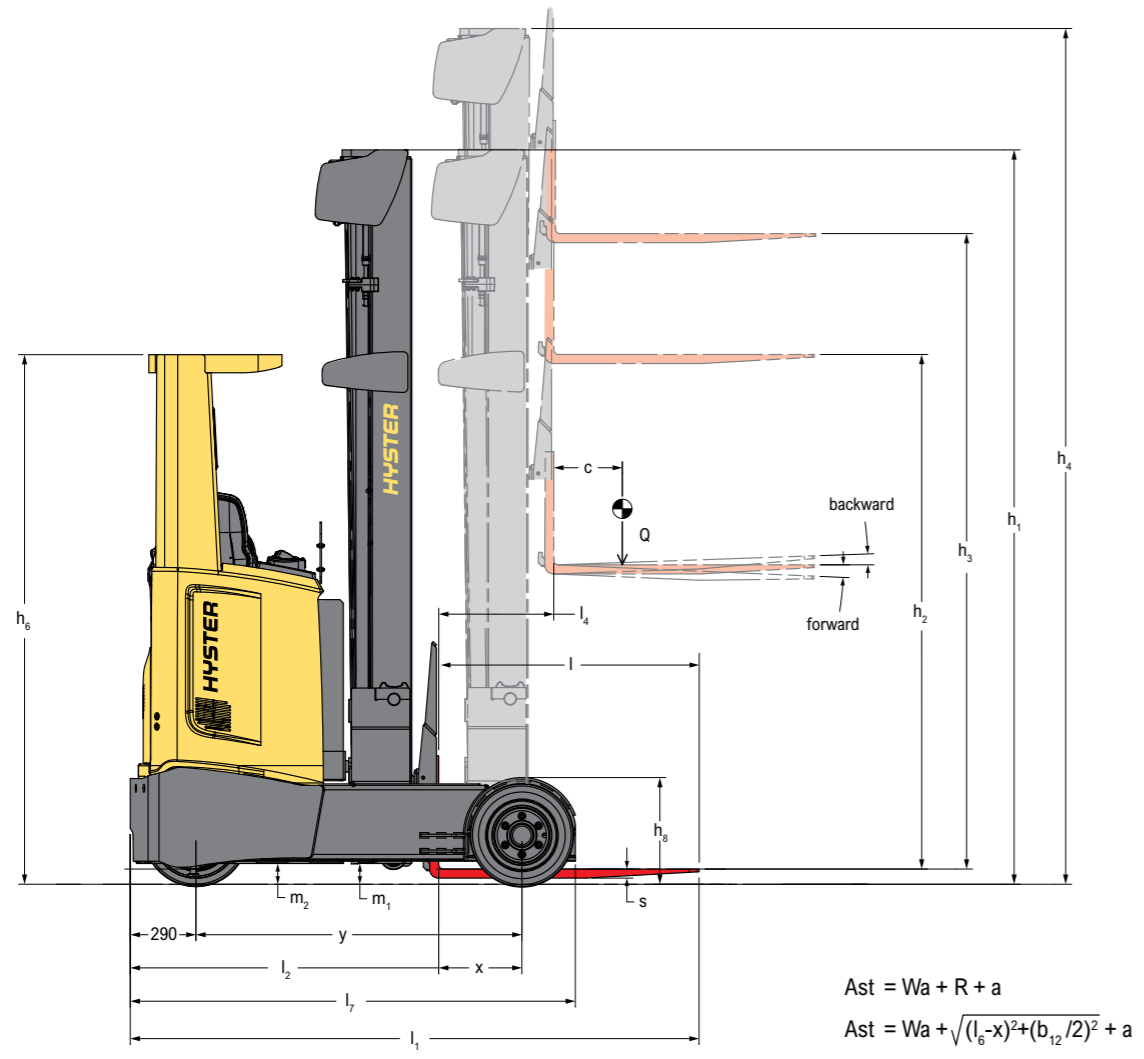
# R01.6-2.0 SERIES

---



## OUTDOOR REACH TRUCK PRODUCT TECHNICAL GUIDE

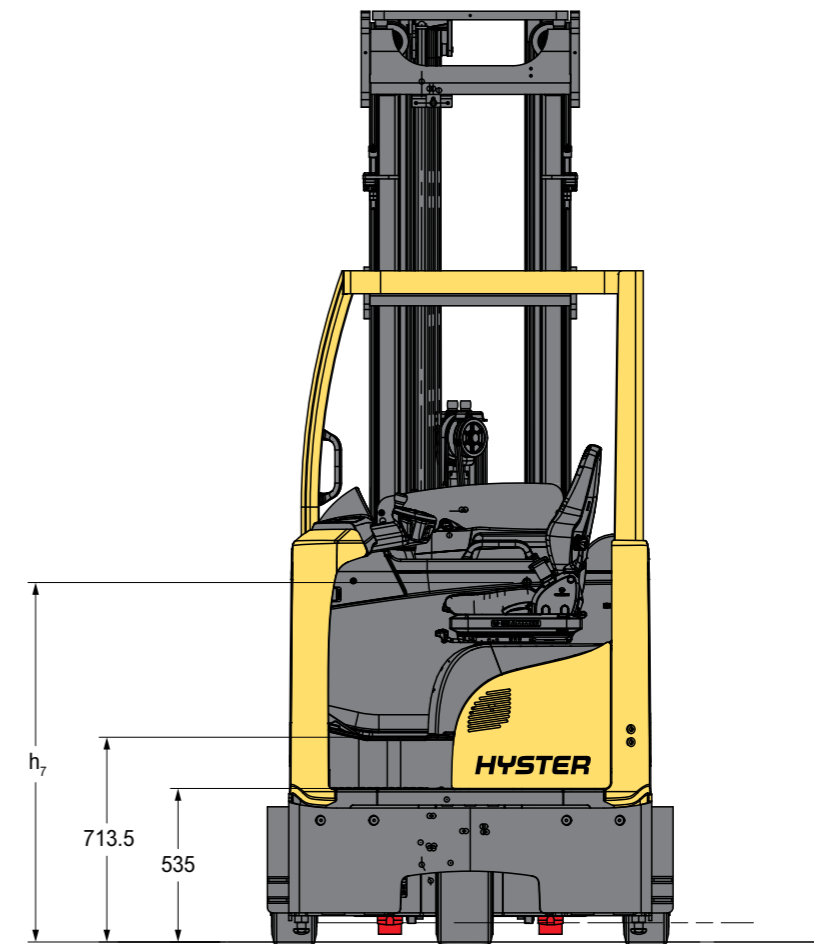
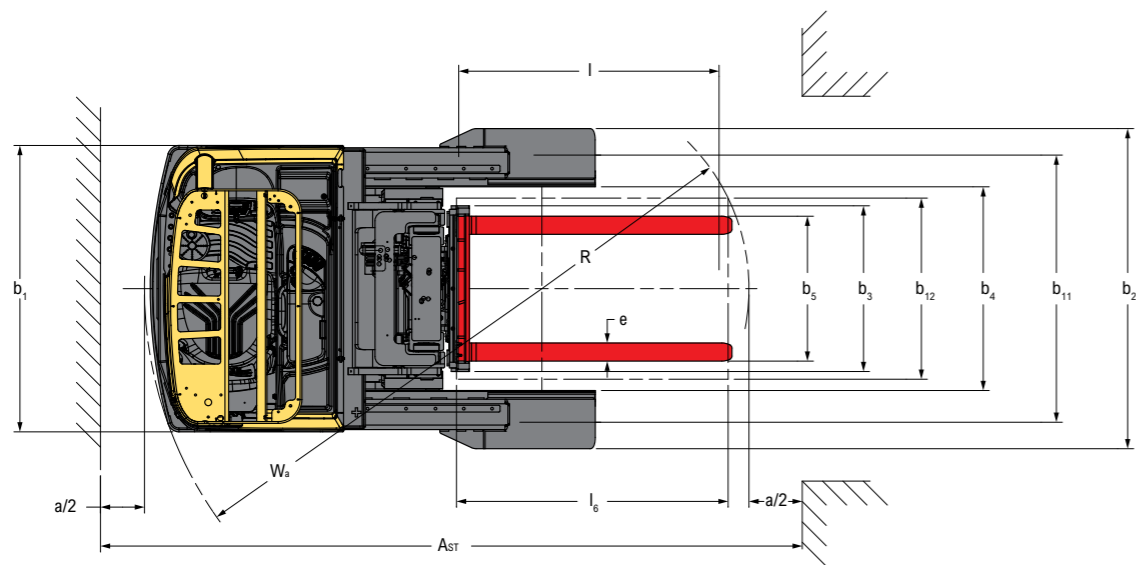




$$A_{st} = W_a + R + a$$

$$A_{st} = W_a + \sqrt{(l_6 - x)^2 + (b_{12}/2)^2} + a$$

$$a = 200\text{mm}$$



All values are nominal values and they are subject to tolerances.  
 For further information, please contact the manufacturer.  
 Hyster products might be subject to change without notice.  
 Lift trucks illustrated may feature optional equipment.  
 Values may vary with alternative configurations.

GENERAL	1-1	HYSTER			
	1-2	RO1.6	RO1.6 w/ full cab	RO2.0	RO2.0 w/ full cab
GENERAL	1-3	Electric (battery)			
	1-4	Seated			
	1-5	Q	kg	1.6	2.0
	1-6	c	mm	600	
GENERAL	1-8	x	mm	364	307
	1-9	y	mm	1440	1490
	2-1		kg	3827	3971
	2-2		kg	2221 / 1606	2288 / 1683
WEIGHT	2-3		kg	683 / 4744	805 / 4766
	2-4		kg	1965 / 3462	1968 / 3603
	3-1	SE/SE			
	3-2		mm	200 / 50-10	
WHEELS	3-3		mm	180 / 60-10	
	3-5	1x / 2			
	3-7	b <sub>11</sub>	mm	1225.5	
	4-1	α / β	deg	2 / 4	
DIMENSIONS	4-2	h <sub>1</sub>	mm	2212	
	4-3	h <sub>2</sub>	mm	1648	1582
	4-4	h <sub>3</sub>	mm	5000	4650
	4-5	h <sub>4</sub>	mm	5580	5280
	4-7	h <sub>6</sub>	mm	2339	2414
	4-8	h <sub>7</sub>	mm	1294	
	4-10	h <sub>8</sub>	mm	471	
	4-19	l <sub>1</sub>	mm	2516	2628
	4-20	l <sub>2</sub>	mm	1366	1478
	4-21	b <sub>1</sub> , b <sub>2</sub>	mm	1265 / 1414	
	4-22	s/e/l	mm	40 / 120 / 1150	
	4-23	2A			
	4-24	b <sub>3</sub>	mm	700	
	4-25	b <sub>5</sub>	mm	260 / 680	
	4-26	b <sub>4</sub>	mm	900	
	4-28	l <sub>4</sub>	mm	610	553
	4-31	m <sub>1</sub>	mm	91.5	
	4-32	m <sub>2</sub>	mm	91.5	
	4-34-1	Ast	mm	2830	2931
	4-34-2	Ast	mm	2882	2993
	4-35	W <sub>a</sub>	mm	1755.5	1815
	4-37	l <sub>7</sub>	mm	1966	2021
	4-42	714			
	4-43	535			
PERFORMANCE	5-1	11.5 / 12.5			
	5-1-1	11.2 / 12.5			
	5-2	0.32 / 0.63 (0.42 / 0.73)			
	5-3	0.55			
	5-4	0.17 / 0.17			
	5-7	7.9 / 12.4			
	5-8	10.3 / 15.7			
	5-9	5.1 / 4.6			
	5-10	Electric			
	6-1	9.6			
ELECTRIC - ENGINE	6-2	9.9 <sup>(14)</sup>			
	6-3	C			
	6-4	48 / 560 <sup>(6)</sup>			
	6-5	939			
	6-6	4.0			
	6-7	63			
	6-8	15			
	6-8	17			
DRIVE/LIFT MECHANISM	8-1	AC-Controller			
	10-1	180			
ADDITIONAL DATA	10-2	20			
	10-7	<68.6			
	10-7	<68.6 <sup>(13)</sup>			

(1) With load backrest h 4 + 508 mm (RO1.6/MRO16), + 443 mm (RO2.0/MRO20)  
 (2) With beacon and OHG h 6 + 120 mm; otherwise with beacon h6 + 95 mm  
 (3) 2570 mm for other CAB configuration  
 (4) These values may vary of +/- 5%.  
 (5) Forks retracted.  
 (6) Available battery 48V / 620Ah (950 kg); Li-ion battery 48V / 432Ah (939 kg);  
 Li-ion battery 48V / 540Ah (936 kg)  
 (7) Values in brackets are Optional  
 (8) Side shift stroke is +/-75mm on all trucks

(9) 1420 mm for other CAB configuration  
 (10) With OHG Grid Protector h6 + 30 mm; With OHG Screen Protector h6 + 45 mm  
 (11) 1755.5 and 1802.5 mm for other CAB configuration  
 (12) With OHG and PAL side line h6 + 135mm, With OHG and Double Work Light to Front h6 + 220 mm  
 (13) With heater SWITCHED ON = 73.8  
 (14) Gradeability grades based on motor thermal capacity, torque available and brake requirements

RO1.6

Lift h <sub>3</sub> (mm)	Free lift h <sub>2</sub> (mm)	Height of mast lowered h <sub>1</sub> (mm)	Height, mast extended h <sub>4</sub> (1) (mm)	Weight (2) (3) (kg)
5000	1648	2212	5579.5	911
5250	1734	2298	5829.5	936
5500	1820	2384	6079.5	961
5750	1906	2470	6329.5	986
6000	1992	2556	6579.5	1010
6250	2078	2642	6829.5	1035
6500	2164	2728	7079.5	1060
6750	2250	2814	7329.5	1090
7000	2336	2900	7579.5	1115
7250	2422	2986	7829.5	1140
7500	2508	3072	8079.5	1164

RO2.0

Lift h <sub>3</sub> (mm)	Free lift h <sub>2</sub> (mm)	Height of mast lowered h <sub>1</sub> (mm)	Height, mast extended h <sub>4</sub> (4) (mm)	Weight (2) (3) (kg)
4650	1582	2212	5279.5	958
4900	1668	2298	5529.5	985
5150	1754	2384	5779.5	1012
5400	1840	2470	6029.5	1038
5650	1926	2556	6279.5	1065
5900	2012	2642	6529.5	1092
6150	2098	2728	6779.5	1118
6400	2184	2814	7029.5	1150
6650	2270	2900	7279.5	1177
6900	2356	2986	7529.5	1204
7150	2442	3072	7779.5	1230
7400	2528	3158	8029.5	1288

(1) Mast 3 stage full free lift (1600kg): With load backrest 1000 mm height, h4 + 508 mm; with load backrest 1500 mm height, h4 + 1008 mm.  
 (2) All weights are: mast structures (weldment, cylinders, chain, pulley) + carriage + oil. EXCLUDED: forks, accessories.  
 (3) With load backrest 700 mm width, 1000 mm height, weight + 13 kg; with load backrest 700 mm width, 1500 mm height, weight + 21 kg.  
 (4) Mast 3 stage full free lift (2000kg): With load backrest 1000 mm height, h4 + 443 mm; with load backrest 1500 mm height, h4 + 943 mm. Carriage set at 480 mm from the ground.

NOTES:

Specifications are affected by the condition of the vehicle and how it is equipped, as well as the nature and condition of the operating area. Inform your dealer of the nature and condition of the intended operating area when purchasing your Hyster® truck.

Specification data is based on VDI 2198



Safety: This truck conforms to the current EU and ANSI requirements.

NOTICE:

Care must be exercised when handling elevated loads. Operators must be trained and must read, understand and follow the instructions contained in the Operating Manual.

All values are nominal values and they are subject to tolerances. For further information, please contact the manufacturer.

Hyster products are subject to change without notice.

Lift trucks illustrated may feature optional equipment.

Values may vary with alternative configurations.

NOTE: Specifications, unless otherwise listed, are for a standard truck without optional equipment.

## STANDARD EQUIPMENT AND OPTIONS - R01.6

R01.6	STD	OPT
Frame B1 = 1265mm B2 = 1414mm B4 = 900mm	X	
200/50-10 Super Elastic Drive Tyres	X	
200/50-10 Non-Marking Super Elastic Drive Tyres		X
180/60-10 Super Elastic Load Wheel		X
180/60-10 Non-Marking Super Elastic Load Wheel		X
Free Lift Dampening by Sensor	X	
Free Lift Dampening by Sensor with Junction Box		X
Lift Comfort		X
12.5km/h Maximum Drive Speed	X	
Key Switch Start	X	
Operator Password Start		X
Standard Construction	X	
High Temperature Construction (>35° C)		X
1223 x 355 x 784mm Battery Compartment (for 560/620 Ah DIN C Battery)		X
Vertical Battery Extraction	X	
Side Battery Extraction		X
Standard Display	X	
Premium Display		X
180 Degree Steering	X	
360 Degree Steering		X
180/360 Degree Steering		X
4 function hydraulics	X	
5 function hydraulics		X
4 Lever Hydraulic Controls	X	
Joystick Hydraulic Control		X
Simultaneous Hydraulic Operation for Lift and Reach	X	
Simultaneous Hydraulic Operation for all Hydraulics		X
Autocentre Sideshift		X
Autolevel Tilt		X
Full Suspension MSG20 Cloth Seat	X	
Full Suspension MSG20 SKAI Seat		X
Full Suspension MSG65 Cloth Seat		X
Full Suspension MSG65 SKAI Seat		X
Full Suspension MSG75 Cloth Seat		X
Full Suspension MSG75 SKAI Seat		X
Seat Belt		X
Hi-Vis Orange 2 Point Seat Belt		X
Heated Seat		X
Anti-Static Seat		X
Head Rest		X
Traction Block on Seat and Belt		X
700mm Integral Sideshift Tilting Carriage	X	
800 x 120 x 35mm Forks		X
1000 x 120 x 35mm Forks		X
1150 x 120 x 35mm Forks		X
1200 x 120 x 35mm Forks		X
800 x 120 x 40mm Forks		X
1000 x 120 x 40mm Forks		X
1150 x 120 x 40mm Forks		X
1200 x 120 x 40mm Forks		X
1500 x 120 x 40mm Forks		X
1800 x 120 x 40mm Forks		X

Please refer to Price List for full options configuration  
Other options available through Special Products Engineering Department (SPED).  
Contact Hyster for details.

## STANDARD EQUIPMENT AND OPTIONS - R02.0

R02.0	STD	OPT
Frame B1 = 1265mm B2 = 1414mm B4 = 900mm	X	
200/50-10 Super Elastic Drive Tyres	X	
200/50-10 Non-Marking Super Elastic Drive Tyres		X
180/60-10 Super Elastic Load Wheel		X
180/60-10 Non-Marking Super Elastic Load Wheel		X
Free Lift Dampening by Sensor	X	
Free Lift Dampening by Sensor with Junction Box		X
Lift Comfort		
12.5km/h Maximum Drive Speed	X	
Key Switch Start	X	
Operator Password Start		X
Standard Construction	X	
High Temperature Construction (>35° C)		X
1223 x 355 x 784mm Battery Compartment (for 560/620 Ah DIN C Battery)		X
Vertical Battery Extraction	X	
Side Battery Extraction		X
Standard Display	X	
Premium Display		X
180 Degree Steering	X	
360 Degree Steering		X
180/360 Degree Steering		X
4 function hydraulics	X	
5 function hydraulics		X
4 Lever Hydraulic Controls	X	
Joystick Hydraulic Control		X
Simultaneous Hydraulic Operation for Lift and Reach	X	
Simultaneous Hydraulic Operation for all Hydraulics		X
Autocentre Sideshift		X
Autolevel Tilt		X
Full Suspension MSG20 Cloth Seat	X	
Full Suspension MSG20 SKAI Seat		X
Full Suspension MSG65 Cloth Seat		X
Full Suspension MSG65 SKAI Seat		X
Full Suspension MSG75 Cloth Seat		X
Full Suspension MSG75 SKAI Seat		X
Seat Belt		X
Hi-Vis Orange 2 Point Seat Belt		X
Heated Seat		X
Anti-Static Seat		X
Head Rest		X
Traction Block on Seat and Belt		X
700mm Integral Sideshift Tilting Carriage	X	
800 x 120 x 35mm Forks	-	-
1000 x 120 x 35mm Forks	-	-
1150 x 120 x 35mm Forks	-	-
1200 x 120 x 35mm Forks	-	-
800 x 120 x 40mm Forks		X
1000 x 120 x 40mm Forks		X
1150 x 120 x 40mm Forks		X
1200 x 120 x 40mm Forks		X
1500 x 120 x 40mm Forks		X
1800 x 120 x 40mm Forks		X


Please refer to Price List for full options configuration  
Other options available through Special Products Engineering Department (SPED).  
Contact Hyster for details.





**HYSTER EUROPE**  
Centennial House, Building 4.5, Frimley Business Park,  
Frimley, Surrey, GU16 7SG, United Kingdom

Visit us online at [www.hyster.com](http://www.hyster.com) or call us at **+44 (0) 1276 538500**.

HYSTER-YALE UK LIMITED trading as Hyster Europe.  
Registered Address: Centennial House, Building 4.5, Frimley Business Park, Frimley, Surrey GU16 7SG, United Kingdom.  
Registered in England and Wales. Company Registration Number: 02636775.  
© HYSTER-YALE UK LIMITED. 2023, all rights reserved. Hyster and  are trademarks of Hyster-Yale Group, Inc.  
Hyster products are subject to change without notice. Trucks may be shown with optional equipment.

