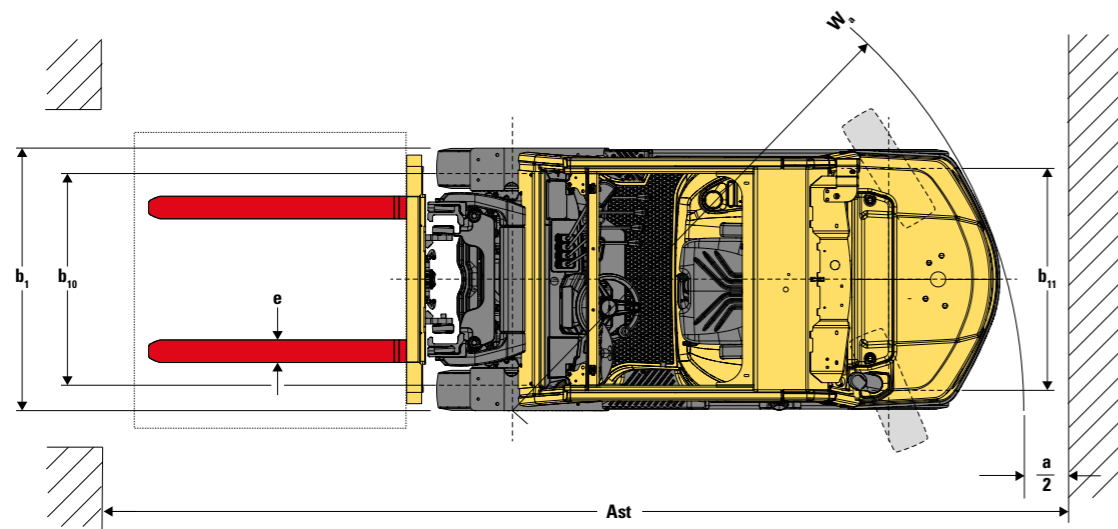
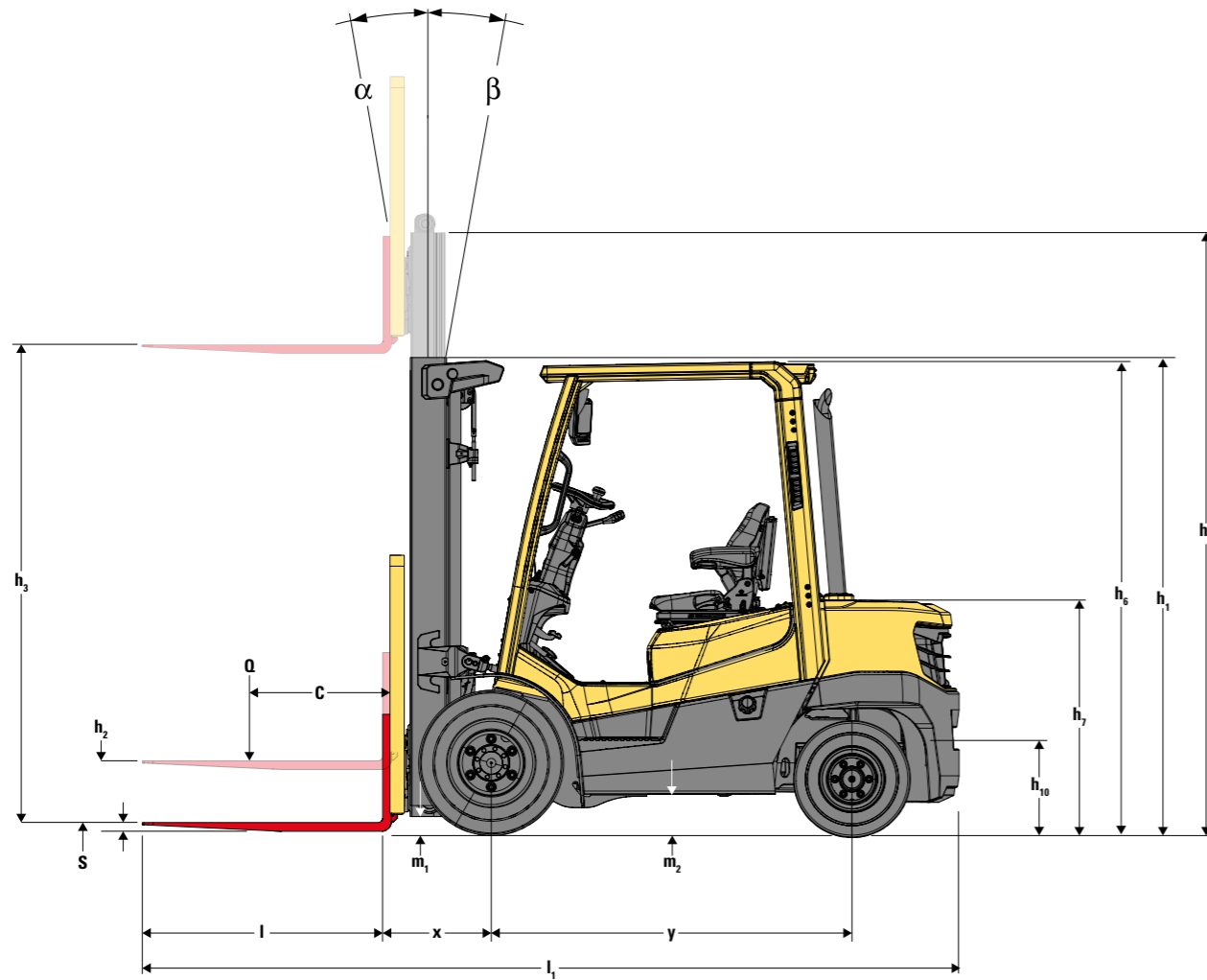


H1.6-2.0A SERIES



DIESEL AND LPG FORKLIFT TRUCKS PRODUCT TECHNICAL GUIDE





				H1.6A	H1.8A	H2.0AS	
GENERAL	1-1	Manufacturer			HYSTER		
	1-2	Model designation					
	1-2-1	Engine			Yanmar 2.2L		
	1-2-2	CE compliance / Emission standards			Stage V		
	1-2-3	Transmission			Electronic Powershift 1-Speed		
	1-2-4	Brake Type			Drum Brakes		
	1-3	Drive			LPG		
	1-4	Operator type			Seated		
	1-5	Rated capacity / rated load	Q	t	1.6	1.8	2.0
	1-6	Load centre distance	c	mm	500		
1-8	Load distance, centre of drive axle to fork	x	mm	409			
1-9	Wheelbase	y	mm	1,480			
WEIGHT	2-1	Service weight		2,993			
	2-2	Axle loading, laden front / rear		3,962 / 631			
	2-3	Axle loading, unladen front / rear		1,402 / 1,591			
WHEELS	3-1	Tyres		Pneumatic Shape Solid			
	3-2	Tyre size, front		6.50-10			
	3-3	Tyre size, rear		5.00-8			
	3-5	Number of wheels, front / rear (X = driven)		2x / 2			
	3-6	Tread, front	b10	mm	904		
	3-7	Tread, rear	b11	mm	896		
	3-7	Tilt of mast / fork carriage forward / backward	α / β	(°)	6 / 6		
DIMENSIONS	4-2	Height, mast lowered	h1	mm	1,966		
	4-3	Free lift (1)	h2	mm	50		
	4-4	Lift (1)	h3	mm	2,960		
	4-5	Height, mast extended (2)	h4	mm	3,875		
	4-7	Height of overhead guard (3)	h6	mm	2,150		
	4-8	Seat height relating to SIP / stand height (4)	h7	mm	1,147		
	4-12	Coupling height	h10	mm	379		
	4-19	Overall length	l1	mm	3,275	3,305	3,349
	4-20	Length to face of forks	l2	mm	2,275	2,305	2,349
	4-21	Overall width (single / wide / dual)	b1	mm	1,070 / 1,251		
	4-22	Fork dimensions DIN ISO 2331	s/e/l	mm	40 x 100 x 1,000		
	4-23	Fork carriage ISO 2328, class / type A, B			II A		
	4-24	Fork carriage width (5)	b3	mm	980		
	4-31	Ground clearance, laden, below mast	m1	mm	95		
	4-32	Ground clearance, centre of wheelbase	m2	mm	126		
	4-34-1	Aisle width for pallets 1000 x 1200 crossways	Ast	mm	3,662	3,676	3,694
	4-34-2	Aisle width for pallets 800 x 1200 lengthways	Aet	mm	3,862	3,876	3,894
	4-35	Turning radius	Wa	mm	2,053	2,066	2,085
	4-36	Internal turning radius	b13	mm	531	540	550
	4-41	90° intersecting aisle (with pallet W = 1200mm, L = 1000mm)			1,805	1,887	1,896
4-42	Step height (from ground to running board)		mm	438			
4-43	Step height (between intermediate steps between running board and floor)		mm	242			
PERFORMANCE	5-1	Travel speed, laden / unladen		20 / 20			
	5-1-1	Travel speed, laden / unladen, backwards		20 / 20			
	5-2	Lift speed, laden / unladen (CDP)		0.60 / 0.61	0.59 / 0.61		
	5-3	Lowering speed, laden / unladen		0.58 / 0.47			
	5-5	Drawbar pull, laden (6)	N	12,874	12,818	12,751	
	5-7	Gradeability, laden / unladen (7)	%	21 / 28	19 / 28	17 / 28	
	5-9	Acceleration time, laden / unladen (to 15m)	s	2.6 / 2.3	2.7 / 2.3	2.8 / 2.4	
	5-10	Service brake		Hydraulic			
	COMBUSTION ENGINE	7-1	Engine manufacturer / type		Yanmar / 4TN88G/GN		
		7-2	Engine power according to ISO 1585	Kw	34.8		
7-3		Rated speed	min-1	2,400			
7-3-1		Torque at 1 / min	(N-m/min)	168 / 1,200			
7-4		Number of cylinders / displacement	(-) / (cm³)	4 / 2,190			
7-5		Fuel consumption according to VDI 2198 (CDP/VDP)	l/h or kg/h	2.5 / 2.3	2.6 / 2.4		
7-5-1		Fuel consumption according to VDI EN16796 (CDP/VDP)	l/h or kg/h	2.1 / 2.0	2.2 / 2.1		
ADDITIONAL DATA	7-6	Turnover output (Power / ECO)	(1 / h)	89 / 82			
	8-1	Type of drive unit		Automatic			
	10-1	Operating pressure for attachments	bar	180			
	10-2	Oil volume for attachments (8)	l/min	40			
	10-3	Hydraulic oil tank, capacity	l	37.1			
	10-4	Fuel tank, capacity	l	-			
	10-7	Sound pressure level at the driver's seat (9)	dB (A)	77			
	10-7-1	Guaranteed sound power 2001 / 14 / EC	dB (A)	101			
10-8	Towing coupling type		Pin				

(1) Top of forks. (2) Without load backrest. (3) h6 subject to +/- 5 mm tolerance. (4) Full suspension seat to manufacturers SIP. (5) Add 32mm with load backrest.

(6) At 1.6km/h. (7) At 4.8km/h. (8) Variable. (9) LPAZ, measured according to the test cycles and based on the weighting values contained in EN12053.

Spec sheet truck based on: 3290mm(2.5) / 3105mm(3.0) TOF 2 stage LFL mast with standard carriage, 1000 mm forks with manual levers.

CERTIFICATION: Hyster lift trucks meet the design and construction requirements of B56.1-1969, per OSHA Section 1910.178(a)(2), and also comply with the B56.1 revision in effect at time of manufacture. Certification of compliance with the applicable ANSI standards appears on the lift truck. Performance specifications are for a truck equipped as described under Standard Equipment on this technical guide. Performance specifications are affected by the condition of the vehicle and how it is equipped, as well as by the nature, condition of the operating area, proper service and maintenance of the vehicle. If these specifications are critical, the proposed application should be discussed with your dealer.

H1.6A / H1.8A / H2.0AS DIESEL SPECIFICATIONS

MAST AND CAPACITY INFORMATION

GENERAL	1-1		HYSTER				
	Manufacturer		H1.6A	H1.8A	H2.0AS		
GENERAL	1-2	Model designation		H1.6A	H2.0AS		
	1-2-1	Engine		Yanmar 2.6L			
	1-2-2	CE compliance / Emission standards		Tier III			
	1-2-3	Transmission		Electronic Powershift 1-Speed			
	1-2-4	Brake Type		Drum Brakes			
	1-3	Drive		Diesel			
	1-4	Operator type		Seated			
	1-5	Rated capacity / rated load	Q	t	1.6	1.8	2.0
	1-6	Load centre distance	c	mm	500		
	1-8	Load distance, centre of drive axle to fork	x	mm	409		
1-9	Wheelbase	y	mm	1,480			
WEIGHT	2-1	Service weight		2,993			
	2-2	Axle loading, laden front / rear		3,962 / 631			
	2-3	Axle loading, unladen front / rear		1,402 / 1,591			
WHEELS	3-1	Tyres		Pneumatic Shape Solid			
	3-2	Tyre size, front		6.50-10			
	3-3	Tyre size, rear		5.00-8			
	3-5	Number of wheels, front / rear (X = driven)		2x / 2			
	3-6	Tread, front	b ₁₀	mm	904		
	3-7	Tread, rear	b ₁₁	mm	896		
	4-1	Tilt of mast / fork carriage forward / backward	α / β	(°)	6 / 6		
DIMENSIONS	4-2	Height, mast lowered		1,966			
	4-3	Free lift (1)		50			
	4-4	Lift (1)		2,960			
	4-5	Height, mast extended (2)		3,875			
	4-7	Height of overhead guard (3)		2,150			
	4-8	Seat height relating to SIP / stand height (4)		1,147			
	4-12	Coupling height		379			
	4-19	Overall length	l ₁	mm	3,275	3,305	3,349
	4-20	Length to face of forks	l ₂	mm	2,275	2,305	2,349
	4-21	Overall width (single / wide / dual)	b ₁	mm	1,070 / 1,251		
	4-22	Fork dimensions DIN ISO 2331	s/e/l	mm	40 x 100 x 1,000		
	4-23	Fork carriage ISO 2328, class / type A, B			II A		
	4-24	Fork carriage width (5)	b ₃	mm	980		
	4-31	Ground clearance, laden, below mast	m ₁	mm	95		
	4-32	Ground clearance, centre of wheelbase	m ₂	mm	126		
	4-34-1	Aisle width for pallets 1000 x 1200 crossways	A _{st}	mm	3,662	3,676	3,694
	4-34-2	Aisle width for pallets 800 x 1200 lengthways	A _{et}	mm	3,862	3,876	3,894
	4-35	Turning radius	W _a	mm	2,053	2,066	2,085
	4-36	Internal turning radius	b ₁₃	mm	531	540	550
	4-41	90° intersecting aisle (with pallet W = 1200mm, L = 1000mm)			1,805	1,887	1,896
4-42	Step height (from ground to running board)		mm	438			
4-43	Step height (between intermediate steps between running board and floor)		mm	242			
PERFORMANCE	5-1	Travel speed, laden / unladen		19 / 19			
	5-1-1	Travel speed, laden / unladen, backwards		19 / 19			
	5-2	Lift speed, laden / unladen (CDP)		0.60 / 0.61			
	5-3	Lowering speed, laden / unladen		0.58 / 0.47			
	5-5	Drawbar pull, laden (6)	N		12,015	11,959	11,892
	5-7	Gradeability, laden / unladen (7)	%		19 / 28	18 / 28	16 / 28
	5-9	Acceleration time, laden / unladen (to 15m)	s		2.6 / 2.3	2.7 / 2.3	2.8 / 2.4
	5-10	Service brake		Hydraulic			
	COMBUSTION ENGINE	7-1	Engine manufacturer / type		Yanmar / 4TNE92		
		7-2	Engine power according to ISO 1585		Kw		
7-3		Rated speed		min-1			
7-3-1		Torque at 1 / min		(N-m/min)			
7-4		Number of cylinders / displacement		4 / 2,659			
7-5		Fuel consumption according to VDI 2198 (CDP/VDP)		l/h or kg/h			
7-5-1		Fuel consumption according to VDI EN16796 (CDP/VDP)		l/h or kg/h			
7-6		Turnover output (Power / ECO)		(1 / h)			
ADDITIONAL DATA	8-1	Type of drive unit		Automatic			
	10-1	Operating pressure for attachments		bar			
	10-2	Oil volume for attachments (8)		l/min			
	10-3	Hydraulic oil tank, capacity		l			
	10-4	Fuel tank, capacity		l			
	10-7	Sound pressure level at the driver's seat (9)		dB (A)			
	10-7-1	Guaranteed sound power 2001 / 14 / EC		dB (A)			
	10-8	Towing coupling type		Pin			

H1.6A RATED CAPACITY @ 500MM LOAD CENTRE

	Maximum Fork Lift (mm)	Back tilt (°)	Lowered height (mm)	Extended Height without LBR (mm)	Extended Height with LBR (1220 mm)	Free Lift Height without LBR (BOF) (mm)	Capacities (kg) @ 500mm Load Centre			
							Pneumatic Shaped Solid Tyres		Pneumatic Radial Tyres	
							Without sideshift (kg)	With sideshift + Fork Positioner (kg)	Without sideshift (kg)	With sideshift + Fork Positioner (kg)
2-STAGE LIMITED FREE LIFT CLASS II	2960	6	1966	3545	4180	50	1600	1600	1600	1600
	3260	6	2116	3845	4480	50	1600	1600	1600	1600
	3660	6	2316	4245	4880	50	1600	1600	1600	1600
	3900	6	2516	4485	5120	50	1600	1600	1600	1600
	4200	6	2666	4785	5420	50	1600	1590	1600	1570
	4500	6	2816	5085	5720	50	1600	1590	1600	1570
	4700	6	2916	5285	5920	50	1530	1530	1530	1500
	5000	6	3166	5585	6220	50	1400	1350	1400	1350
	5500	6	3416	6085	6720	50	1110	1050	1110	920
	7000	6	3016	7578	8220	2398	570	360	340	200
2-STAGE FULL FREE LIFT CLASS II	2990	6	1966	3574	4210	1342	1600	1600	1600	1600
	3190	6	2066	3774	4410	1442	1600	1600	1600	1600
	3290	6	2116	3874	4510	1492	1600	1600	1600	1600
	3490	6	2216	4074	4710	1592	1600	1600	1600	1600
	3590	6	2266	4174	4810	1642	1600	1600	1600	1600
	4010	6	2516	4594	5230	1892	1600	1600	1600	1600
	4510	6	2766	5094	5730	2142	1550	1550	1550	1540
	4910	6	2966	5494	6130	2342	1470	1470	1470	1470
	5510	6	3316	6094	6730	2692	1350	1350	1340	900
	7000	6	3016	7578	8220	2398	570	360	340	200
3-STAGE FULL FREE LIFT	4050	6	1966	4628	5270	1348	1600	1600	1600	1600
	4450	6	1966	5028	5670	1348	1570	1570	1570	1410
	4600	6	2016	5178	5820	1398	1540	1540	1540	1230
	4750	6	2066	5328	5970	1448	1510	1510	1510	1090
	4900	6	2116	5478	6120	1498	1480	1480	1480	990
	5200	6	2266	5778	6420	1648	1420	1420	1260	810
	5350	6	2316	5928	6570	1698	1390	1210	1120	730
	5500	6	2366	6078	6720	1748	1360	1060	1010	670
	6100	6	2616	6678	7320	1998	1130	690	670	440
	6550	6	2816	7128	7770	2198	790	510	490	310

H1.6A RATED CAPACITY @ 600MM LOAD CENTRE

	Maximum Fork Lift (mm)	Back tilt (°)	Lowered height (mm)	Extended Height without LBR (mm)	Extended Height with LBR (1220 mm)	Free Lift Height without LBR (BOF) (mm)	Capacities (kg) @ 600mm Load Centre			
							Pneumatic Shaped Solid Tyres		Pneumatic Radial Tyres	
							Without sideshift (kg)	With sideshift + Fork Positioner (kg)	Without sideshift (kg)	With sideshift + Fork Positioner (kg)
2-STAGE LIMITED FREE LIFT CLASS II	2960	6	1966	3545	4180	50	1550	1470	1550	1470
	3260	6	2116	3845	4480	50	1550	1470	1550	1470
	3660	6	2316	4245	4880	50	1540	1470	1540	1470
	3900	6	2516	4485	5120	50	1540	1460	1540	1460
	4200	6	2666	4785	5420	50	1530	1460	1510	1450
	4500	6	2816	5085	5720	50	1490	1420	1470	1400
	4700	6	2916	5285	5920	50	1460	1390	1450	1390
	5000	6	3166	5585	6220	50	1390	1320	1390	1320
	5500	6	3416	6085	6720	50	1110	1050	1110	950
	7000	6	3016	7578	8220	2398	590	370	350	210
2-STAGE FULL FREE LIFT CLASS II	2990	6	1966	3574	4210	1342	1540	1470	1540	1470
	3190	6	2066	3774	4410	1442	1540	1470	1540	1470
	3290	6	2116	3874	4510	1492	1540	1470	1540	1470
	3490	6	2216	4074	4710	1592	1540	1470	1540	1470
	3590	6	2266	4174	4810	1642	1540	1470	1540	1470
	4010	6	2516	4594	5230	1892	1530	1460	1530	1460
	4510	6	2766	5094	5730	2142	1480	1410	1480	1410
	4910	6	2966	5494	6130	2342	1400	1340	1400	1330
	5510	6	3316	6094	6730	2692	1280	1220	1270	930
	7000	6	3016	7578	8220	2398	590	370	350	210
3-STAGE FULL FREE LIFT	4050	6	1966	4628	5270	1348	1520	1450	1520	1450
	4450	6	1966	5028	5670	1348	1500	1430	1500	1410
	4600	6	2016	5178	5820	1398	1470	1400	1470	1240
	4750	6	2066	5328	5970	1448	1440	1380	1440	1110
	4900	6	2116	5478	6120	1498	1420	1350	1410	1000
	5200	6	2266	5778	6420	1648	1350	1290	1270	820
	5350	6	2316	5928	6570	1698	1320	1260	1130	750
	5500	6	2366	6078	6720	1748	1290	1100	1020	680
	6100	6	2616	6678	7320	1998	1150	710	680	450
	6550	6	2816	7128	7770	2198	820	520	500	320

(1) Top of forks. (2) Without load backrest. (3) h6 subject to +/- 5 mm tolerance. (4) Full suspension seat to manufacturers SIP. (5) Add 32mm with load backrest. (6) At 1.6km/h. (7) At 4.8km/h. (8) Variable. (9) LPAZ, measured according to the test cycles and based on the weighting values contained in EN12053. Spec sheet truck based on: 3290mm(2.5) / 3105mm(3.0) TOF 2 stage LFL mast with standard carriage, 1000 mm forks with manual levers.

CERTIFICATION: Hyster lift trucks meet the design and construction requirements of B56.1-1969, per OSHA Section 1910.178(a)(2), and also comply with the B56.1 revision in effect at time of manufacture. Certification of compliance with the applicable ANSI standards appears on the lift truck. Performance specifications are for a truck equipped as described under Standard Equipment on this technical guide. Performance specifications are affected by the condition of the vehicle and how it is equipped, as well as by the nature, condition of the operating area, proper service and maintenance of the vehicle. If these specifications are critical, the proposed application should be discussed with your dealer.

MAST AND CAPACITY INFORMATION

MAST AND CAPACITY INFORMATION

H1.8A RATED CAPACITY @ 500MM LOAD CENTRE

	Maximum Fork Lift (mm)	Back tilt (°)	Lowered height (mm)	Extended Height without LBR (mm)	Extended Height with LBR (1220 mm)	Free Lift Height without LBR (BOF) (mm)	Capacities (kg) @ 500mm Load Centre			
							Pneumatic Shaped Solid Tyres		Pneumatic Radial Tyres	
							Without sideshift (kg)	With sideshift + Fork Positioner (kg)	Without sideshift (kg)	With sideshift + Fork Positioner (kg)
2-STAGE LIMITED FREE LIFT CLASS II	2960	6	1966	3545	4180	50	1800	1800	1800	1800
	3260	6	2116	3845	4480	50	1800	1800	1800	1800
	3660	6	2316	4245	4880	50	1800	1800	1800	1800
	3900	6	2516	4485	5120	50	1800	1800	1800	1770
	4200	6	2666	4785	5420	50	1760	1740	1760	1710
	4500	6	2816	5085	5720	50	1710	1710	1710	1680
	4700	6	2916	5285	5920	50	1650	1600	1650	1600
	5000	6	3166	5585	6220	50	1400	1350	1400	1330
2-STAGE FULL FREE LIFT CLASS II	2990	6	1966	3574	4210	1342	1800	1800	1800	1800
	3190	6	2066	3774	4410	1442	1800	1800	1800	1800
	3290	6	2116	3874	4510	1492	1800	1800	1800	1800
	3490	6	2216	4074	4710	1592	1800	1800	1800	1800
	3590	6	2266	4174	4810	1642	1800	1800	1800	1800
	4010	6	2516	4594	5230	1892	1800	1800	1800	1790
	4510	6	2766	5094	5730	2142	1710	1710	1710	1710
	4910	6	2966	5494	6130	2342	1630	1630	1620	1490
3-STAGE FULL FREE LIFT	5510	6	3316	6094	6730	2692	1490	1490	1490	830
	4050	6	1966	4628	5270	1348	1800	1800	1800	1800
	4450	6	1966	5028	5670	1348	1740	1740	1740	1300
	4600	6	2016	5178	5820	1398	1710	1710	1710	1160
	4750	6	2066	5328	5970	1448	1680	1680	1680	1040
	4900	6	2116	5478	6120	1498	1650	1650	1510	950
	5200	6	2266	5778	6420	1648	1580	1280	1180	770
	5350	6	2316	5928	6570	1698	1550	1120	1070	700
	5500	6	2366	6078	6720	1748	1510	990	960	630
	6100	6	2616	6678	7320	1998	1060	650	640	410
6550	6	2816	7128	7770	2198	750	470	460	290	
7000	6	3016	7578	8220	2398	540	340	320	190	

H2.OAS RATED CAPACITY @ 500MM LOAD CENTRE

	Maximum Fork Lift (mm)	Back tilt (°)	Lowered height (mm)	Extended Height without LBR (mm)	Extended Height with LBR (1220 mm)	Free Lift Height without LBR (BOF) (mm)	Capacities (kg) @ 500mm Load Centre			
							Pneumatic Shaped Solid Tyres		Pneumatic Radial Tyres	
							Without sideshift (kg)	With sideshift + Fork Positioner (kg)	Without sideshift (kg)	With sideshift + Fork Positioner (kg)
2-STAGE LIMITED FREE LIFT CLASS II	2960	6	1966	3545	4180	50	2000	1930	2000	1930
	3260	6	2116	3845	4480	50	2000	1930	2000	1930
	3660	6	2316	4245	4880	50	2000	1930	2000	1930
	3900	6	2516	4485	5120	50	2000	1920	2000	1920
	4200	6	2666	4785	5420	50	1960	1880	1960	1880
	4500	6	2816	5085	5720	50	1820	1760	1820	1760
	4700	6	2916	5285	5920	50	1650	1600	1650	1450
	5000	6	3166	5585	6220	50	1400	1350	1400	1060
2-STAGE FULL FREE LIFT CLASS II	2990	6	1966	3574	4210	1342	2000	1930	2000	1930
	3190	6	2066	3774	4410	1442	2000	1930	2000	1930
	3290	6	2116	3874	4510	1492	2000	1930	2000	1930
	3490	6	2216	4074	4710	1592	2000	1930	2000	1930
	3590	6	2266	4174	4810	1642	2000	1930	2000	1930
	4010	6	2516	4594	5230	1892	2000	1910	2000	1910
	4510	6	2766	5094	5730	2142	1910	1820	1900	1820
	4910	6	2966	5494	6130	2342	1820	1730	1820	1130
3-STAGE FULL FREE LIFT	5510	6	3316	6094	6730	2692	1670	1590	1670	680
	4050	6	1966	4628	5270	1348	1990	1910	1990	1600
	4450	6	1966	5028	5670	1348	1910	1830	1910	1140
	4600	6	2016	5178	5820	1398	1880	1800	1690	1020
	4750	6	2066	5328	5970	1448	1850	1770	1480	920
	4900	6	2116	5478	6120	1498	1820	1510	1300	830
	5200	6	2266	5778	6420	1648	1750	1140	1040	670
	5350	6	2316	5928	6570	1698	1710	1010	940	600
	5500	6	2366	6078	6720	1748	1660	900	840	530
	6100	6	2616	6678	7320	1998	940	580	540	320
6550	6	2816	7128	7770	2198	670	410	370	210	
7000	6	3016	7578	8220	2398	460	270	240	100	

H1.8A RATED CAPACITY @ 600MM LOAD CENTRE

	Maximum Fork Lift (mm)	Back tilt (°)	Lowered height (mm)	Extended Height without LBR (mm)	Extended Height with LBR (1220 mm)	Free Lift Height without LBR (BOF) (mm)	Capacities (kg) @ 600mm Load Centre			
							Pneumatic Shaped Solid Tyres		Pneumatic Radial Tyres	
							Without sideshift (kg)	With sideshift + Fork Positioner (kg)	Without sideshift (kg)	With sideshift + Fork Positioner (kg)
2-STAGE LIMITED FREE LIFT CLASS II	2960	6	1966	3545	4180	50	1730	1650	1730	1650
	3260	6	2116	3845	4480	50	1730	1650	1730	1650
	3660	6	2316	4245	4880	50	1720	1650	1720	1650
	3900	6	2516	4485	5120	50	1710	1640	1690	1630
	4200	6	2666	4785	5420	50	1680	1600	1660	1580
	4500	6	2816	5085	5720	50	1620	1550	1610	1550
	4700	6	2916	5285	5920	50	1580	1510	1580	1510
	5000	6	3166	5585	6220	50	1400	1350	1400	1350
2-STAGE FULL FREE LIFT CLASS II	2990	6	1966	3574	4210	1342	1730	1650	1730	1650
	3190	6	2066	3774	4410	1442	1720	1650	1720	1650
	3290	6	2116	3874	4510	1492	1720	1640	1720	1640
	3490	6	2216	4074	4710	1592	1720	1640	1720	1640
	3590	6	2266	4174	4810	1642	1720	1640	1720	1640
	4010	6	2516	4594	5230	1892	1710	1630	1700	1630
	4510	6	2766	5094	5730	2142	1620	1550	1620	1550
	4910	6	2966	5494	6130	2342	1540	1470	1540	1470
3-STAGE FULL FREE LIFT	5510	6	3316	6094	6730	2692	1410	1340	1400	830
	4050	6	1966	4628	5270	1348	1700	1630	1700	1630
	4450	6	1966	5028	5670	1348	1650	1580	1650	1290
	4600	6	2016	5178	5820	1398	1620	1550	1620	1150
	4750	6	2066	5328	5970	1448	1590	1520	1590	1040
	4900	6	2116	5478	6120	1498	1560	1490	1490	940
	5200	6	2266	5778	6420	1648	1500	1320	1170	770
	5350	6	2316	5928	6570	1698	1460	1150	1060	690
	5500	6	2366	6078	6720	1748	1430	1010	950	630
	6100	6	2616	6678	7320	1998	1070	660	630	400
6550	6	2816	7128	7770	2198	760	480	460	280	
7000	6	3016	7578	8220	2398	540	340	310	180	

H2.OAS RATED CAPACITY @ 600MM LOAD CENTRE

	Maximum Fork Lift (mm)	Back tilt (°)	Lowered height (mm)	Extended Height without LBR (mm)	Extended Height with LBR (1220 mm)	Free Lift Height without LBR (BOF) (mm)	Capacities (kg) @ 600mm Load Centre			
							Pneumatic Shaped Solid Tyres		Pneumatic Radial Tyres	
							Without sideshift (kg)	With sideshift + Fork Positioner (kg)	Without sideshift (kg)	With sideshift + Fork Positioner (kg)
2-STAGE LIMITED FREE LIFT CLASS II	2960	6	1966	3545	4180	50	1820	1740	1820	1740
	3260	6	2116	3845	4480	50	1820	1740	1820	1740
	3660	6	2316	4245	4880	50	1820	1740	1820	1740
	3900	6	2516	4485	5120	50	1810	1730	1810	1730
	4200	6	2666	4785	5420	50	1780	1700	1780	1700
	4500	6	2816	5085	5720	50	1720	1640	1720	1640
	4700	6	2916	5285	5920	50	1650	1600	1650	1500
	5000	6	3166	5585	6220	50	1400	1350	1400	1090
2-STAGE FULL FREE LIFT CLASS II	2990	6	1966	3574	4210	1342	1820	1740	1820	1740
	3190	6	2066	3774	4410	1442	1820	1740	1820	1740
	3290	6	2116	3874	4510	1492	1820	1740	1820	1740
	3490	6	2216	4074	4710	1592	1820	1740	1820	1740
	3590	6	2266	4174	4810	1642	1820	1740	1820	1740
	4010	6	2516	4594	5230	1892	1810	1730	1810	1730
	4510	6	2766	5094	5730	2142	1720	1640	1720	1640
	4910	6	2966	5494	6130	2342	1640	1570	1540	1150
3-STAGE FULL FREE LIFT	5510	6	3316	6094	6730	2692	1510	1440	1510	700
	4050	6	1966	4628	5270	1348	1800	1720	1800	1580
	4450	6	1966	5028	5670	1348	1730	1660	1730	1140
	4600	6	2016	5178	5820	1398	1700	1630	1670	1040
	4750	6	2066	5328	5970	1448	1670	1600	1470	930
	4900	6	2116	5478	6120	1498	1640	1560	1300	840
	5200	6	2266	5778	6420	1648	1580	1180	1050	690
	5350	6	2316	5928	6570	1698	1550	1040	950	610
	5500	6	2366	6078	6720	1748	1510	920	860	550
	6100	6	2616	6678	7320	1998	980	600	550	340
6550	6	2816	7128	7770	2198	690	420	390	210	
7000	6	3016	7578	8220	2398	490	280	240	110	

STANDARD AND OPTIONAL EQUIPMENT

PERFORMANCE	STD	OPT	HANDLING	STD	OPT
Yanmar 2.2L LPG Tier III		X	Hook Type Standard Carriage - 980mm	X	
Yanmar 2.2L Dual Fuel Tier III		X	Hook Type Integral Sideshift Carriage - 980mm		X
Yanmar 2.2L LPG Stage V		X	Hook Type Integral Sideshifting Fork Positioner - 980mm		X
Powershift Transmission	X		Hook Type Standard Taper Forks 1000mm	X	
Duramatch Transmission		X	Hook Type Standard Taper Forks 1100mm		X
Drum Brakes	X		Hook Type Standard Taper Forks 1200mm		X
Standard (-20° C to 40° C) Environmental construction	X		Without Load backrest	X	
High Air Intake	X		1220mm High Load Backrest		X
Heavy duty air intake and pre-cleaner options		X	915mm High Load Backrest		X
Internal Air Intake		X	915mm High Load Backrest Drop Centre		X
Swing out LPG bracket with Fabric strap	X		1524mm High Load Backrest		X
Swing Out and Drop Down LPG bracket with Fabric Strap		X	Tilt Cylinder Boots		X
LPG tank bracket interlock		X	Hydraulic Accumulator		X
Integrated Fuel Level Sensor	X		Manual Lever Hydraulic Control	X	
Low Exhaust	X		Mini Lever Hydraulic Control		X
System monitoring package	X		Joystick hydraulic control		X
Premium monitoring package		X	High temperature hydraulic fluid		X
Powertrain Protection with engine shutdown		X	Clamping function		X
Radiator Screen		X	Return to set tilt function		X
Exhaust wraps		X	2 Function (0 Auxiliary) Hydraulic Valve	X	
Empty seat engine shutdown		X	3 Function (1 Auxiliary) Hydraulic Valve		X
Belly screen		X	4 Function (2 Auxiliary) Hydraulic Valve		X
DRIVE	STD	OPT	Fork Laser Positioning System		X
Single pedal inch brake	X		Load Weight Display		X
Dual brake pedal		X	Attachment extension tubes and quick disconnects		X
Tyres - Super Elastic	X		VISIBILITY	STD	OPT
Tyres - Super Elastic - Premium		X	Top wiper		X
Tyres - Super Elastic - Premium - Non Marking		X	Spot light activation continuous / directional		X
Tyres - Pneumatic Radial - Premium		X	Dual Side View Mirrors		X
Tyres - Pneumatic - Premium		X	Panoramic Mirror		X
Wide tread tyres		X	LED Work lights		X
Steer Column with Tilt and Telescope		X	High Performance LED Work lights		X
Steering Column Mounted Directional Control	X		Rear reflector	X	
Steering Wheel with Spinner Knob	X		LED Rear light package Brake/Tail/Backup		X
Steer Column with Infinitely Adjustable Tilt	X		LED Rear light package Brake/Tail/Backup/Turn		X
On Demand Power Steering	X		LED Rear light package Brake/Tail/Backup/Turn/Hazards		X
On demand Power Steering with Synchronous Steering		X	Switch Activated Strobe Light		X
LIFT	STD	OPT	Audible Reverse Alarm		X
2 Stage Limited Free Lift Mast	X		Forward and Reverse Alarm		X
2 Stage Full Free Lift Mast		X	LED Mast Mounted lights		X
3 Stage Full Free Lift Mast		X	Blue LED Pedestrian Awareness Spotlights		X
6° Forward / 6° Back Mast Tilt	X		Red LED Pedestrian Awareness Perimeter Lines		X
10° Forward / 6° Back Mast Tilt		X	Rear View Camera System Integrated in 178mm Colour Display		X
Standard Displacement Hydraulic Pump (CDP)	X				
On Demand Hydraulic Pump (VDP)		X			

STANDARD AND OPTIONAL EQUIPMENT


ERGONOMICS	STD	OPT	OPERATION	STD	OPT
Monitor mount		X	Traction speed limiters		X
Operator fan		X	Seat belt Hi-Vis interlocking	X	
Beverage holder		X	Key Switch Start	X	
RF handheld scanner holder		X	Keyless with Operator password start		X
Mobile phone holder		X	Engine driven cooling	X	
Starter battery dongle		X	Travel speed Alarm		X
Engine block heater		X	Battery disconnect		X
Stretch film roll holder		X	Front Mud Guards		X
Rectangular Over Head Guard		X	Drive axle string cutter		X
Polycarbonate rain top		X	Standard Seat Belt		X
Figure 8 Tube Over Head Guard	X		Telemetry Prepared	X	
Grid Style Overhead Guard	X		Dynamic Stability System		X
Clear View Overhead Guard		X	Seat Side Direction Control		X
Cabin Options (Partial, PVC, Steel Doors)		X	Hyster Monotrol, Foot Direction Control		X
Console Tray		X	Hyster Tracker Wireless Monitoring		X
51mm / 2" Colour Touchscreen Display		X	Hyster Tracker Wireless Access		X
127mm / 5" Colour Touchscreen Display	X		Hyster Tracker Wireless Verification		X
178mm / 7" Colour Touchscreen Display		X	APPEARANCE	STD	OPT
Full Suspension Vinyl Seat		X	Hyster yellow paint base truck	X	
Full Suspension Cloth Seat		X	Special paint base truck		X
Full Suspension Vinyl Seat - Value	X		SUPPLEMENTAL	STD	OPT
Air Ride Full Suspension Vinyl Seat		X	24 Months / 4,000 Hours Warranty	X	
Air Ride Full Suspension Cloth Seat		X	36 Months / 6,000 Hours Warranty		X
Full suspension seat - Low profile		X	Literature package	X	
Sun Shades (top and / or front)		X			
Air Conditioning		X			
Accessory Mounting Post and options		X			
12v Aux supply		X			
12v Supply with twin USB charging sockets		X			





HYSTER EUROPE
Centennial House, Building 4.5, Frimley Business Park,
Frimley, Surrey, GU16 7SG, United Kingdom

Visit us online at www.hyster.com or call us at **+44 (0) 1276 538500**.

HYSTER-YALE UK LIMITED trading as Hyster Europe.
Registered Address: Centennial House, Building 4.5, Frimley Business Park, Frimley, Surrey GU16 7SG, United Kingdom.
Registered in England and Wales. Company Registration Number: 02636775.
© HYSTER-YALE UK LIMITED. 2023, all rights reserved. Hyster and  are trademarks of Hyster-Yale Group, Inc.
Hyster products are subject to change without notice. Trucks may be shown with optional equipment.



Safety: This truck conforms to the current EU requirements