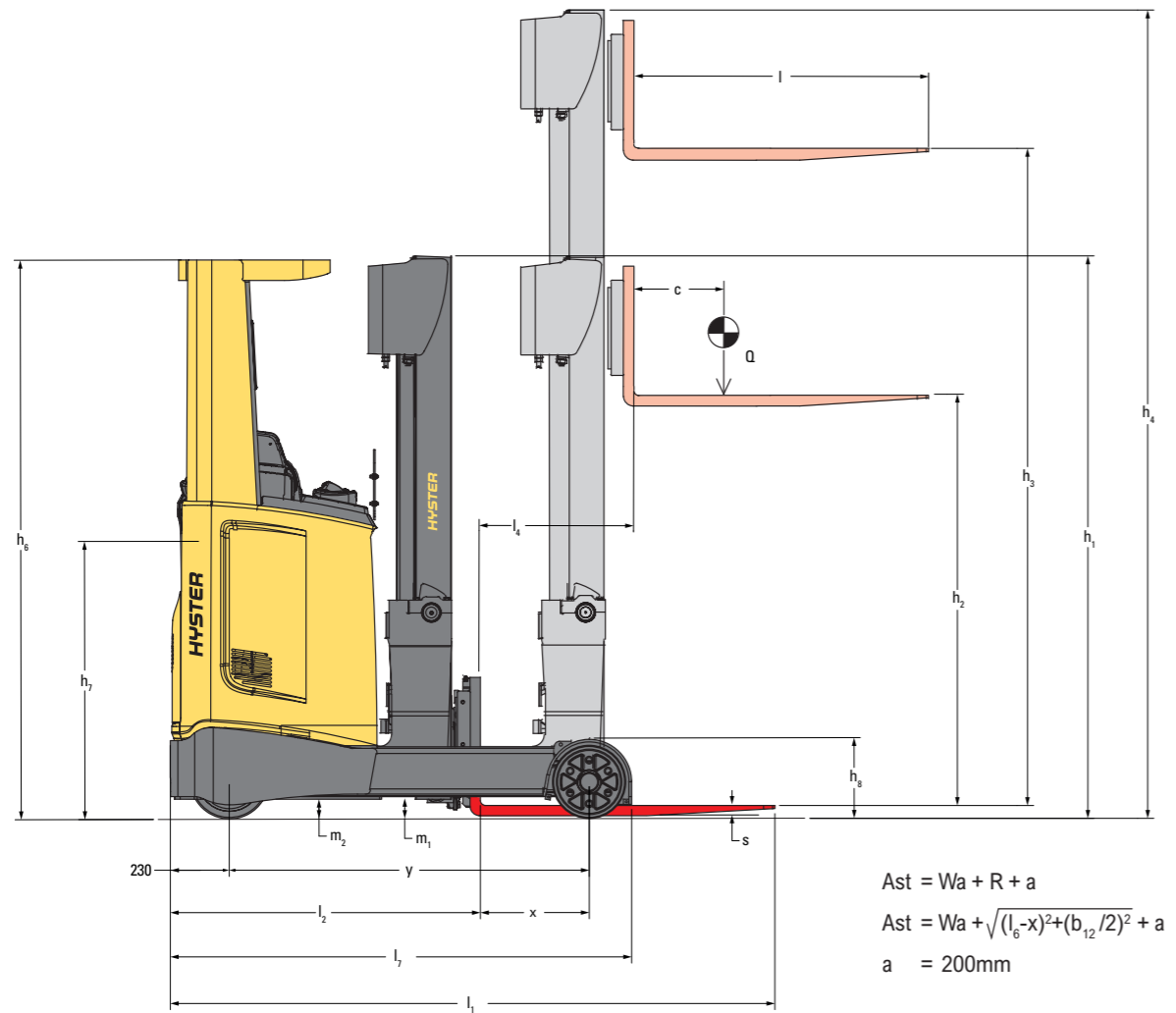


R1.0-1.4E SERIES



WAREHOUSE REACH TRUCK PRODUCT TECHNICAL GUIDE

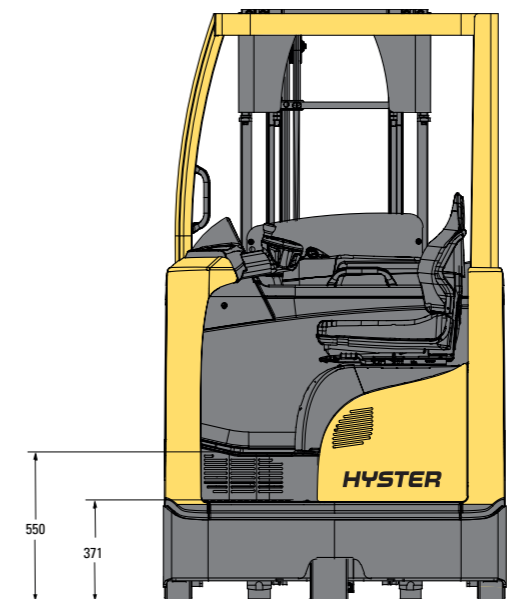
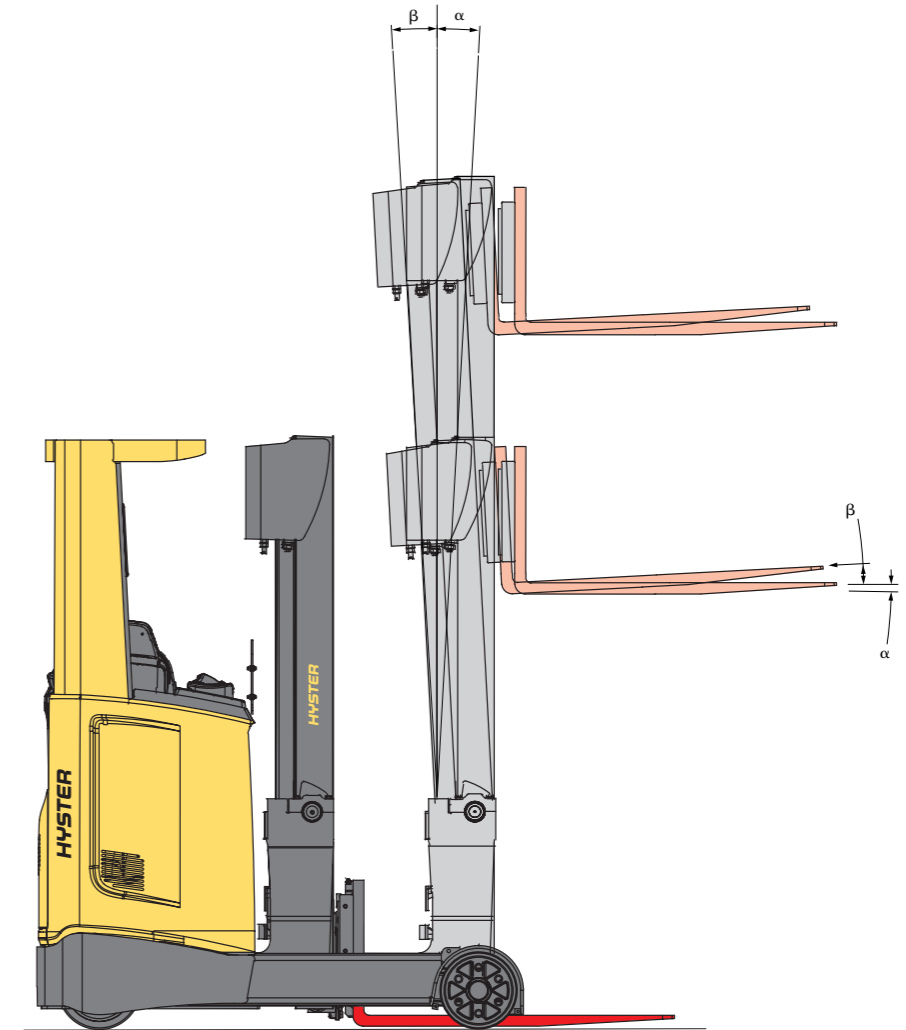
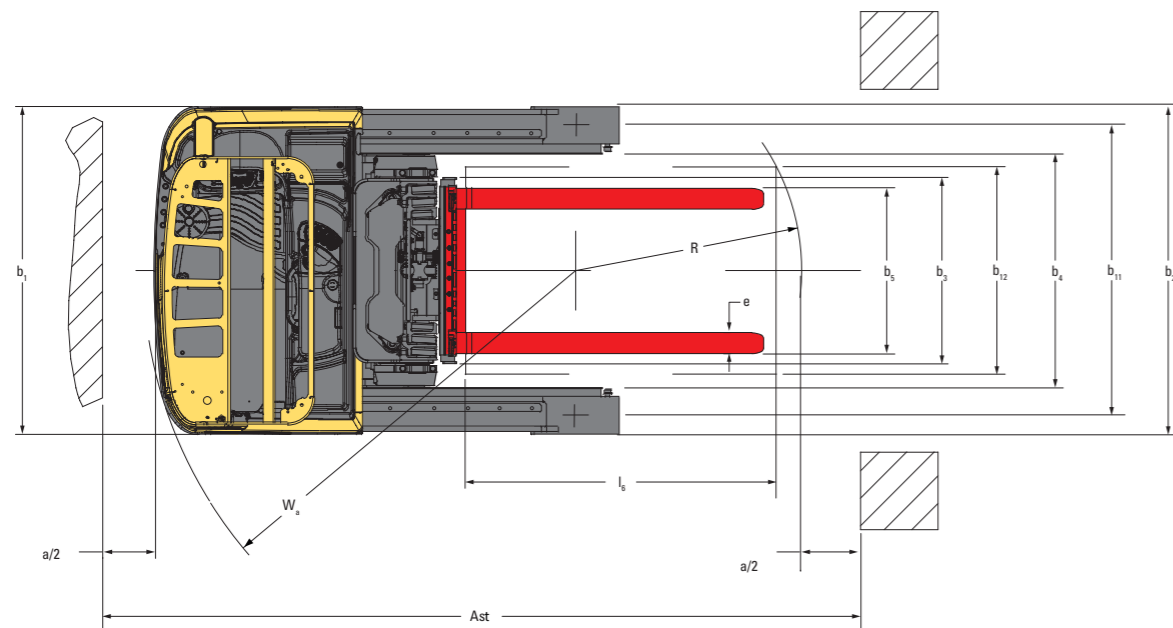




$$Ast = Wa + R + a$$

$$Ast = Wa + \sqrt{(l_6 - x)^2 + (b_{12}/2)^2} + a$$

$$a = 200\text{mm}$$



All values are nominal values and they are subject to tolerances.
For further information, please contact the manufacturer.
Hyster products might be subject to change without notice.
Lift trucks illustrated may feature optional equipment.
Values may vary with alternative configurations.

GENERAL			HYSTER		
			R1.0E	R1.2E	R1.4E
1.1	Manufacturer (abbreviation)		HYSTER		
1.2	Manufacturer's type designation		R1.0E	R1.2E	R1.4E
1.3	Drive: electric (battery or mains), diesel, petrol, fuel gas		Electric (battery)		
1.4	Operator type: hand, pedestrian, standing, seated, orderpicker		Seated		
1.5	Rated capacity / rated load	Q kg	1.0	1.2	1.4
1.6	Load centre distance	c mm	600		
1.8	Load distance (588 TB spreader / 586 TB spreader)	x mm	181	371	
1.9	Wheelbase	y mm	1300	1400	
2.1	Service weight	kg	2845		
2.2	Axle loading, unladen front/rear	kg	1622 / 1223		
2.3	Axle loading fork advanced, laden front/rear (1)	kg	810 / 3035	695 / 3350	694 / 3654
2.4	Axle loading fork retracted, laden front/rear	kg	1288 / 2557	1222 / 2823	1605 / 2743
3.1	Tyres: polyurethane, tophane, NDIIThane, front/rear		NDIIThane		
3.2	Tyre size, front	ø mm x mm	343 x 140		
3.3	Tyre size, rear	ø mm x mm	220 x 85	285 x 100	
3.5	Wheels, number front/rear (x = driven wheels)		1x / 2		
3.7	Tread, rear	b ₁₁ mm	990	1155	
4.1	Tilt of mast/fork carriage forward/backward	α / β deg	1° / 3°		
4.2	Height of mast, lowered	h ₁ mm	2191		
4.3	Free lift	h ₂ mm	1706		
4.4	Lift	h ₃ mm	5000		
4.5	Height, mast extended (2)	h ₄ mm	5560		
4.7	Height of overhead guard (cabin) (3)	h ₆ mm	2175		
4.8	Seat height relating to SIP	h ₇ mm	1082		
4.10	Height of wheel arms	h ₈ mm	235	308	
4.19	Overall length	l ₁ mm	2500	2411	
4.20	Length to face of forks	l ₂ mm	1350	1261	
4.21	Overall width (4)	b ₁ , b ₂ mm	1125	1265	
4.22	Fork dimensions DIN ISO 2331	s/e/l mm	40 / 80 / 1150		
4.23	Fork carriage ISO 2328, class/type A, B		2A		
4.24	Fork-carriage width	b ₃ mm	700		
4.25	Forks spread MIN/MAX (5)	b ₅ mm	220/640		
4.26	Distance between wheel arms/loading surfaces	b ₄ mm	900		
4.28	Reach distance	l ₄ mm	341	560	
4.31	Ground clearance, laden, below mast	m ₁ mm	75		
4.32	Ground clearance, centre of wheelbase	m ₂ mm	75	85	
4.34.1	Aisle width for pallets 1000mm x 1200mm crossways	Ast mm	2770	2741	
4.34.2	Aisle width for pallets 800mm x 1200mm lengthwise	Ast mm	2850	2792	
4.35	Turning radius	W _a mm	1555	1672	
4.37	Length across wheel arms	l ₇ mm	1660	1795	
4.42	Step height (from ground to running board)	mm	550	550	
4.43	Step height (between intermediate steps and floor)	mm	371		
5.1	Travel speed, laden/unladen	km/h	11 / 11		
5.1.1	Travel speed, laden/unladen, backwards	km/h	11 / 11		
5.2	Lift speed, laden/unladen	m/s	0,45 / 0,70	0,40 / 0,70	0,35 / 0,70
5.3	Lowering speed, laden/unladen	m/s	0,55 / 0,45		
5.4	Reaching speed, laden/unladen	m/s	0,15 / 0,15		
5.7	Gradeability, laden/unladen	%	9,0 / 12,7	8,5 / 12,7	7,6 / 11,9
5.8	Max. gradeability laden/unladen	%	14,6 / 20,2	13,8 / 20,2	12,5 / 19,0
5.9	Acceleration time laden/unladen	s	5,5 / 4,9	5,6 / 4,9	5,7 / 4,8
5.10	Service brake		Electric		
6.1	Drive motor S2 60 minute rating	kW	5.4		
6.2	Lift motor, S3 15% rating	kW	9.9		
6.3	Battery according to DIN 43531/35/36 A,B,C, no		B	C	
6.4	Battery voltage/nominal capacity K5	(V)/(Ah)	48 / 560 (7)		
6.5	Battery weight (6)	kg	937	939	
6.6	Energy consumption according to DIN EN 16796	kWh/h	2.05	2.21	3.33
6.7	Turnover output according to VDI 2198	t/h	39	47	53
6.8	Turnover efficiency according to VDI 2198	t/kWh	17	18	18
8.1	Type of drive unit		AC-Controller		
10.7	Sound pressure level at the driver's seat	dB(A)	70		

(1) Forks retracted.
 (2) With load backrest 1000mm height, h4 + 508 mm; with load backrest 1500mm height, h4 + 1008mm
 (3) With beacon h6 + 120mm; With OHG Grid Protector h6 + 20mm ; With OHG Screen Protector h6 + 30mm .
 (4) With load wheels lateral covers: 1289mm (R1.4E/MR14E).
 (5) Side shift stroke is +/-75mm.
 (6) These values may vary of +/- 5%.
 (7) See "Batteries table".

3 STAGE FFL

	Tilt α / β °	Lift h ₃ (mm)	Free lift h ₂ (mm)	Height, mast lowered h ₁ (mm)	Height, mast extended h ₄ (1) (mm)	Weight (2) (3) (kg)
R1.0E R1.2E R1.4E	1°/3°	5000	1706	2191	5560	629
	1°/3°	5250	1792	2277	5810	645
	1°/3°	5500	1878	2363	6060	662
	1°/3°	5750	1964	2449	6310	717
	1°/3°	6000	2050	2535	6560	736
	1°/3°	6250	2136	2621	6810	754
	0,5°/1°	6500	2222	2707	7060	772
	0,5°/1°	6750	2308	2793	7310	797
	0,5°/1°	7000	2394	2879	7560	815
	0,5°/1°	7250	2480	2965	7810	834
0,5°/1°	7500	2566	3051	8060	852	

(1) With load backrest 1000mm height, h4 + 508mm; with load backrest 1500mm height, h4 + 1008mm
 (2) All weights are: mast structures (weldment, cylinders, chain, pulley) + carriage + oil.
 EXCLUDED: forks, accessories
 (3) With load backrest 700mm width, 1000mm height, weight + 18 kg; with load backrest 700mm width, 1500mm height, weight + 26 kg

NOTES:

Specifications are affected by the condition of the vehicle and how it is equipped, as well as the nature and condition of the operating area. Inform your dealer of the nature and condition of the intended operating area when purchasing your Hyster® truck.

Specification data is based on VDI 2198



Safety: This truck conforms to the current EU and ANSI requirements.

NOTICE:

Care must be exercised when handling elevated loads. Operators must be trained and must read, understand and follow the instructions contained in the Operating Manual.

All values are nominal values and they are subject to tolerances. For further information, please contact the manufacturer.

Hyster products are subject to change without notice.

Lift trucks illustrated may feature optional equipment.

Values may vary with alternative configurations.

NOTE: Specifications, unless otherwise listed, are for a standard truck without optional equipment.




HYSTER EUROPE
Centennial House, Building 4.5, Frimley Business Park,
Frimley, Surrey, GU16 7SG, United Kingdom

Visit us online at www.hyster.com or call us at **+44 (0) 1276 538500**.

HYSTER-YALE UK LIMITED trading as Hyster Europe.

Registered Address: Centennial House, Building 4.5, Frimley Business Park, Frimley, Surrey GU16 7SG, United Kingdom.

Registered in England and Wales. Company Registration Number: 02636775.

© HYSTER-YALE UK LIMITED. 2022, all rights reserved. Hyster and  are trademarks of Hyster-Yale Group, Inc.

Hyster products are subject to change without notice. Trucks may be shown with optional equipment.



Safety: This truck conforms to the current EU requirements