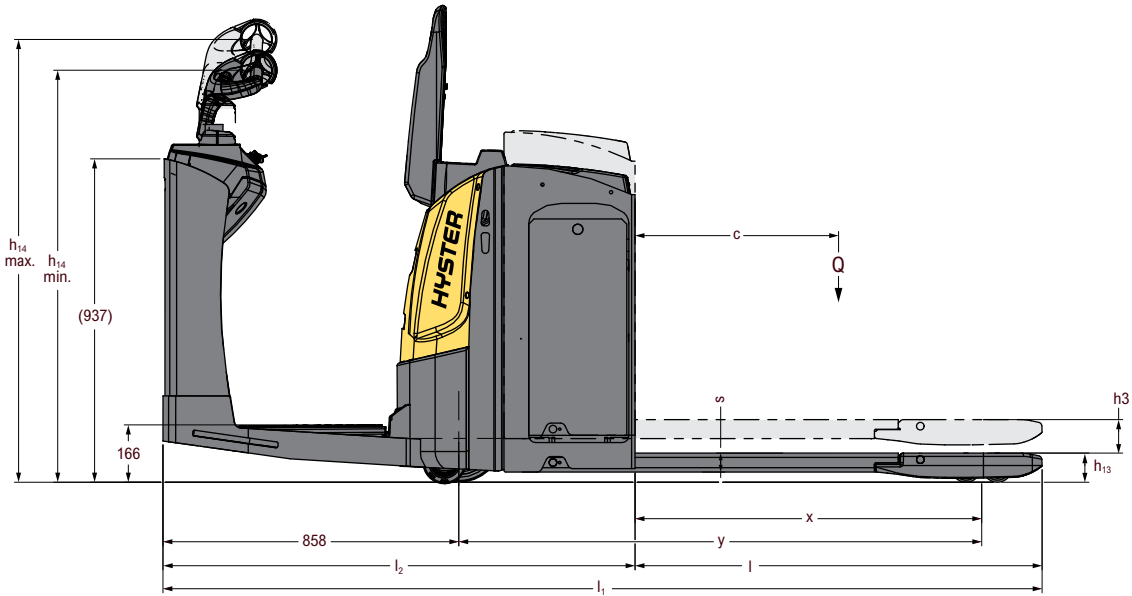


L02.0-3.0P SERIES

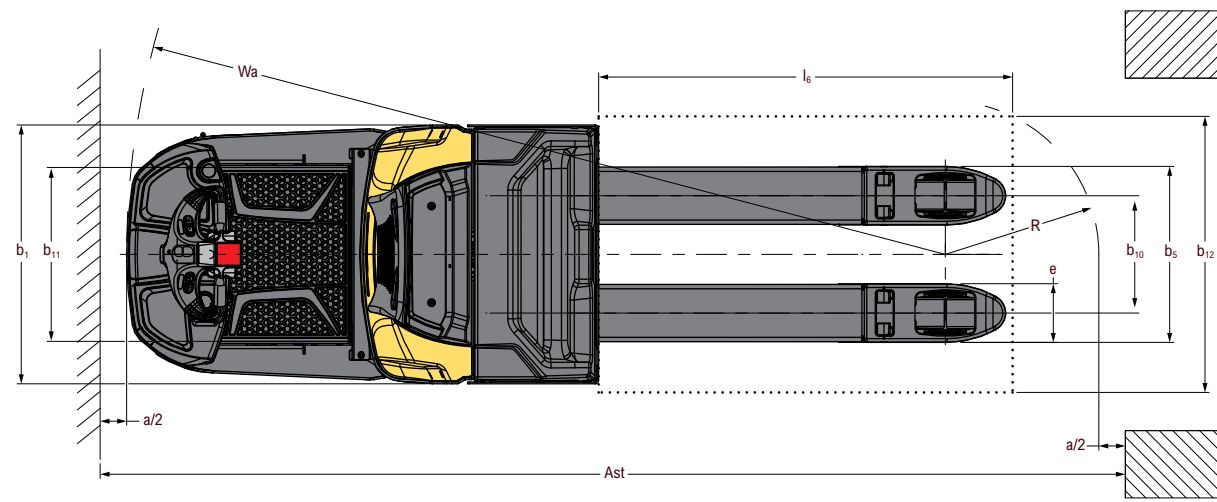


ORDER PICKER PALLET TRUCK
PRODUCT TECHNICAL GUIDE





$A_{st} = W a + R + a$
 $A_{st} = W a + \sqrt{(l_6 - x)^2 + (b_{12} / 2)^2} + a$
 $a = 200\text{mm}$



$$Ast = Wa + R + a$$

$$Ast = Wa + \sqrt{(l6 - x)^2 + (b12 / 2)^2} + a$$

a = 200mm

GENERAL				LO2.0P		LO2.5P		LO3.0P	
1-1	Manufacturer					HYSTER			
1-2	Model designation			LO2.0P		LO2.5P		LO3.0P	
1-3	Drive					Battery			
1-4	Operator type					Stand-on			
1-5	Rated capacity / rated load	Q ₁	t	2.0		2.5		3.0	
1-6	Load centre distance	c	mm			600			
1-8	Load distance, centre of drive axle to fork (4) (5) (11)	x	mm			1005			
1-9	Wheelbase (4) (5) (11)	y	mm			1516			
WEIGHT									
2-1	Service weight (2) (4)			807		824			
2-2	Axle loading laden, front / rear			1177 / 1630		1312 / 2012		1394 / 2430	
2-3	Axle loading unladen, front / rear			676 / 131		681 / 143			
WHEELS									
3-1	Tyre type					NDIIThane / NDIIThane			
3-2	Tyre size, front	ø	mm x mm			254 x 90			
3-3	Tyre size, rear	ø	mm x mm	85 x 94 (9)		85 x 94			
3-4	Additional wheels (dimensions)	ø	mm x mm			125 x 50			
3-5	Wheels, number front / rear (x = driven wheels)					1x + 2/4			
3-6	Tread, front	b ₁₀	mm			504			
3-7	Tread, rear	b ₁₁	mm			382			
DIMENSIONS									
4-4	Lift	h ₃	mm			120			
4-9	Height drawbar in driving position min./max.	h ₁₄	mm			1198 / 1288			
4-15	Height, lowered (6)	h ₁₃	mm	85 (12)		85			
4-19	Overall length (pedestrian) (4)	l ₁	mm			-			
4-19-1	Overall length (stand-on) (4)	l ₁	mm			2549			
4-20	Length to face of forks (pedestrian) (4)	l ₂	mm			-			
4-20-1	Length to face of forks (stand-on) (4)	l ₂	mm			1369			
4-21	Overall width	b ₁ /b ₂	mm			750			
4-22	Fork dimensions (4) (7)	s/e/l	mm			55 / 170 / 1180			
4-25	Forks spread (8)	b ₅	mm			552			
4-32	Ground clearance, centre of wheelbase	m ₂	mm			30			
4-33	Load dimension b 12 x 16	b ₁₂ /l ₆	mm			800 x 1200			
4-34-1	Aisle width for pallets 1000mm x 1200mm crossways (pedestrian) (4) (10)	Ast	mm			-			
4-34-2	Aisle width for pallets 1000mm x 1200mm crossways (stand-on) (4) (10)	Ast	mm			3071			
4-34-3	Aisle width for pallets 800mm x 1200mm lengthwise (pedestrian) (4) (10)	Ast	mm			-			
4-34-4	Aisle width for pallets 800mm x 1200mm lengthwise (stand-on) (4) (10)	Ast	mm			2985			
4-35-1	Turning radius (pedestrian) (4) (5) (11)	W _a	mm			-			
4-35-2	Turning radius (stand-on) (4) (5) (11)	W _a	mm			2374			
PERFORMANCE									
5-1	Travel speed, laden / unladen load (pedestrian)					-			
5-1-1	Travel speed, laden / unladen load (stand-on)					9.7 / 13		9.1 / 13	
5-1-2	Travel speed, laden / unladen load, backwards (pedestrian)					-			
5-1-3	Travel speed, laden / unladen load, backwards (stand-on)					9.7 / 13		9.1 / 13	
5-2	Lifting speed, laden / unladen load					0.05 / 0.06		0.04 / 0.06	
5-3	Lowering speed, laden / unladen load					0.06 / 0.06			
5-8	Max. gradeability - 1.6 km/h, laden / unladen load (1)					11.4 / 20		9.1 / 20	
5-10	Service brake					Electromagnetic			
ELECTRIC									
6-1	Drive motor, S2 60 min rating					3			
6-2	Lift motor S3 15% rating (3)					2.2			
6-3	Battery according to DIN 43531/35/36 A,B,C, no					B			
6-4	Battery voltage / nominal capacity K5 (4)					24 / 375			
6-5	Battery weight (2) (4)					288			
6-6	Energy consumption according to DIN EN 16796					0.32		0.40	
6-7	Turnover output according to VDI 2198					134		168	
6-8	Turnover efficiency according to VDI 2198					105		133	
OTHER									
8-1	Type of drive unit					AC-Controller			
10-7	Sound pressure level at the driver's seat					dB (A)		59	

(1) If truck climbs ramps frequently (within 1h), consult your salesman
 (2) These values may vary of +/- 5%
 (3) Value referred to S3 5%
 (4) See "Batteries-Batt.compartments tbl" and "Battery compartment-Forks table"
 (5) With load section lifted: -67mm
 (6) Max h13 value shall be 87mm
 (7) With forks l > 1590mm s = +10mm
 (8) b5 available: 510/552/650 -- with forks l > 1590mm b5 = +10mm
 (9) Available 75x94mm tyre -- h13 reduced to 75mm + tolerance (see pricelist for compatibility)

(10) Forks raised -- Ast = Wa + R + a -- Wa and R with forks raised
 (11) Forks lowered -- With forks raised -67mm
 (12) h13 available 75mm + tolerance (see pricelist for compatibility)

All values are nominal values and they are subject to tolerances. For further information, please contact the manufacturer. Hyster products might be subject to change without notice. Lift trucks illustrated may feature optional equipment. Values may vary with alternative configurations.

STANDARD & OPTIONAL EQUIPMENT

OPERATION	STD	OPT	HANDLING	STD	OPT
Key Switch Start	X		Forks options		X
Operator Password		X	Fork Height From Ground - 85mm	X	
Two Battery Stands		X	Fork Height From Ground - 75mm*		X
Battery Cable Extension		X	Without Load Backrest	X	
Gravity Feed Water Reservoir		X	1150mm High Load Backrest		X
Multifunctional Display	X		1800mm High Load Backrest		X
Telemetry		X	Soft Lowering		X
			Intelligent lift		X
PERFORMANCE	STD	OPT	VISIBILITY	STD	OPT
Standard Construction	X		Manual Work Light		X
Cold Store Construction		X	Automatic Work Light		X
Standard Travel Speed 13Km/H (with Speed Reduction on Cornering)	X		Pedestrian Awareness Light		X
Battery Removal without Rollers - Lift Out	X		Platform Lights		X
Side Extraction		X	Audible Forward Alarm (Forks Trailing)		X
Side Extraction (Using Rollers)		X	Audible Reverse Alarm (Forks Leading)		X
12 V DC/DC Converter		X	Audible Forward and Reverse Alarm		X
24V DC/DC Converter		X			
Without Battery	X		ERGONOMICS	STD	OPT
Battery Options		X	Ergonomic Handles with Lifting/Lowering Buttons		X
Without Charger	X		Ergonomic Handles without Lifting/Lowering Buttons		X
Charger Options		X	Backrest	X	
DRIVE	STD	OPT	A4 Clip Board		X
Scooter control	X		Bottle Holder		X
254 x 90mm NDIIthane® Drive Wheel	X		Multipurpose Bar - Across		X
254 x 90mm NDIIthane® Conductive Drive Wheel		X	SUPPLEMENTAL	STD	OPT
254 x 90mm Dynaroll® Drive Wheel		X	24 Months / 4,000 Hours Manufacturer's Warranty	X	
254 x 90mm Redthane® Drive Wheel		X	36 Months / 6,000 Hours Extended Warranty		X
Tandem load wheels	X		Literature Package	X	
Single load wheels		X			
Coasting Function		X			

* Model dependant
All values are nominal values and they are subject to tolerances.






HYSTER EUROPE
Centennial House, Building 4.5, Frimley Business Park,
Frimley, Surrey, GU16 7SG, United Kingdom

Visit us online at www.hyster.com or call us at **+44 (0) 1276 538500**.

HYSTER-YALE UK LIMITED trading as Hyster Europe.

Registered Address: Centennial House, Building 4.5, Frimley Business Park, Frimley, Surrey GU16 7SG, United Kingdom.

Registered in England and Wales. Company Registration Number: 02636775.

© HYSTER-YALE UK LIMITED. 2024, all rights reserved. Hyster and  are trademarks of Hyster-Yale Group, Inc.

Hyster products are subject to change without notice. Trucks may be shown with optional equipment.



Safety: This truck conforms to the current
EU and UK CA requirements