

COMBi-SLE 5000

The 3 wheel electric sideloader forklift designed for the safe, space saving and productive handling of long and bulky loads.

COMBiLiFT

LIFTING INNOVATION

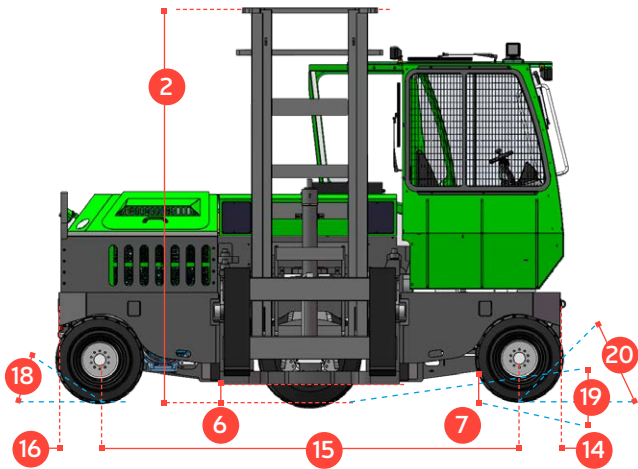


Combi-SRE: Rear Mounted Cabin

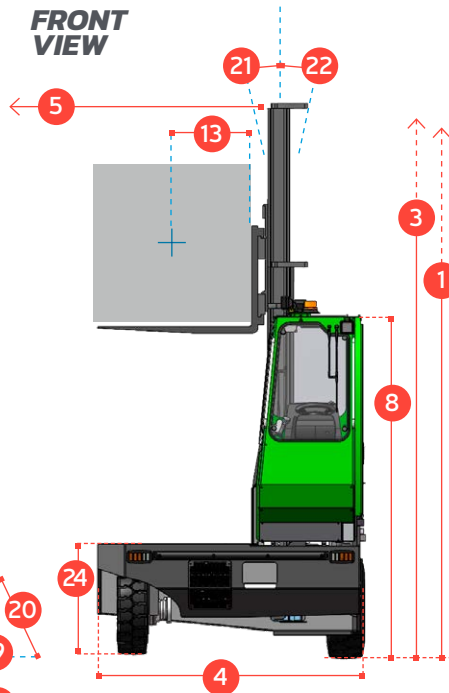


COMBi-SLE 5000

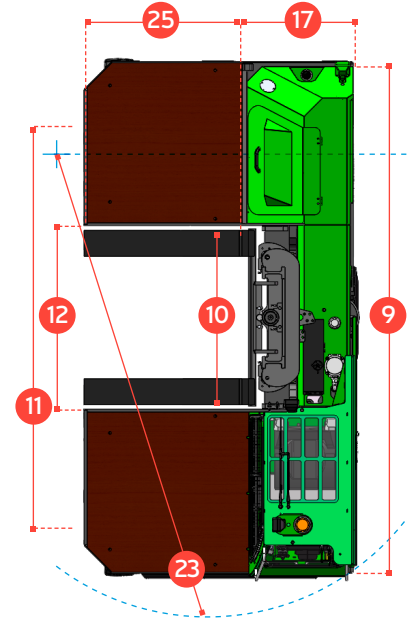
SIDE VIEW



FRONT VIEW

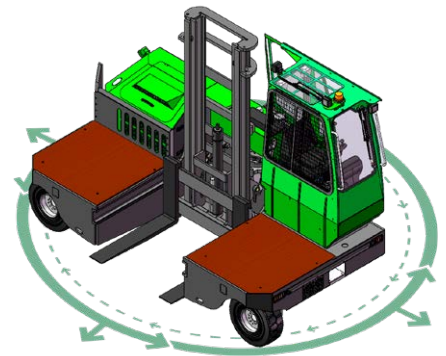


OVERHEAD VIEW



| REF. | DESCRIPTION | 5000 SLE |
|------|-----------------------------------------|----------|
| 1a | Standard Lift Height | 4040mm |
| 1b | Free Lift Height | 0mm |
| 2 | Height Mast Closed | 3207mm |
| 3 | Max. (Mast raised) | 5495mm |
| 4 | Overall Length | 2350mm |
| 5 | Mast Travel | 1400mm |
| 6 | Ground Clearance Under Mast | 472mm |
| 7 | Ground Clearance to Centre of Wheelbase | 100mm |
| 8 | Height Over Cab (Without work lights) | 2650mm |
| 9 | Width | 4245mm |
| 10 | Outside Spread of Fork Arms | 1450mm |
| 11 | Track Front | 3610mm |
| 12 | Frame Opening | 1600mm |
| 13 | Load Centre Distance | 600mm |
| 14 | Overhang Front | 271mm |
| 15 | Wheelbase | 1960mm |
| 16 | Overhang Back | 120mm |
| 17 | Length From Face of Fork | 1100mm |
| 18 | Approach Angle | 45° |
| 19 | Ramp Angle | 18° |
| 20 | Departure Angle | 45° |
| 21 | Forward Tilt | 3° |
| 22 | Backward Tilt | 5° |
| 23 | Minimum Outside Radius | 2980mm |
| 24 | Platform Height (Optional 750mm) | 750mm |
| 25 | Platform Length | 1300mm |

Multi-Directional



Features Include:

- Rubber Mounted Cabin
- Multi-Direction Operation
- Load Sensing Steering
- 3 Wheel Electric Drive
- 4-way lever positioning of Wheel
- AC Motor Technology

Distributed by:

| | | |
|---|---------------------------------|-----------------------|
| A | Capacity | 5000kg |
| B | Unladen Weight | 10000kg |
| C | Maximum Ground Speed | 15km/h |
| D | Gradeability | 10% |
| E | Deutz TCD 3.6L / 4.3 ltr GM LPG | 80V 1080Ah |
| F | Electrics | 12 Volt |
| G | Fork Section 50mm x 200mm | 1300mm |
| H | 27 x 10 - 12 Front Tyre | OD 585mm / Width 255m |
| I | 355 / 65 - 15 Rear Tyre | OD 800mm / Width 295 |
| J | Standard Colour | Green & Grey |
| K | Suspension Seat | KAB Model 116 |

rev. 1.1

COMBILIFT HAS A POLICY OF CONTINUOUS PRODUCT DEVELOPMENT AND RESERVES THE RIGHT TO ALTER SPECIFICATIONS WITHOUT PRIOR NOTICE. SPECIFICATIONS AND/OR DIMENSIONS MAY VARY FROM THOSE ILLUSTRATED IN SOME COUNTRIES.